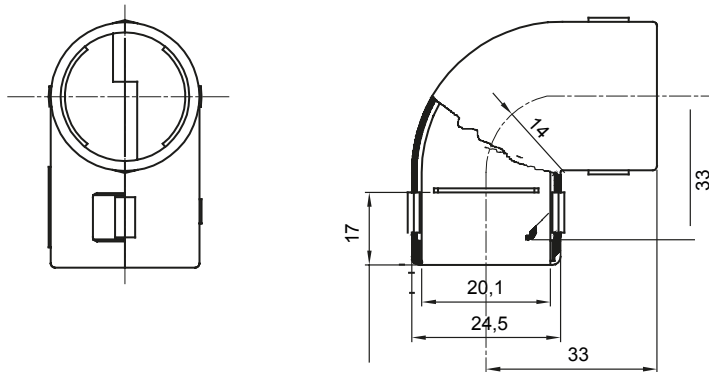




Routing components for rigid protective conduits with IP40 and IP67 protection degree.

|                 |               |            |       |
|-----------------|---------------|------------|-------|
| Colour          | Grey RAL 7035 | IP degree  | IP40  |
| Conduits Ø (mm) | 20            | Electrocod | 21221 |

### DIMENSIONAL



### TECHNICAL SYMBOLOGY

## IP

IP40

### STANDARDS/APPROVALS

