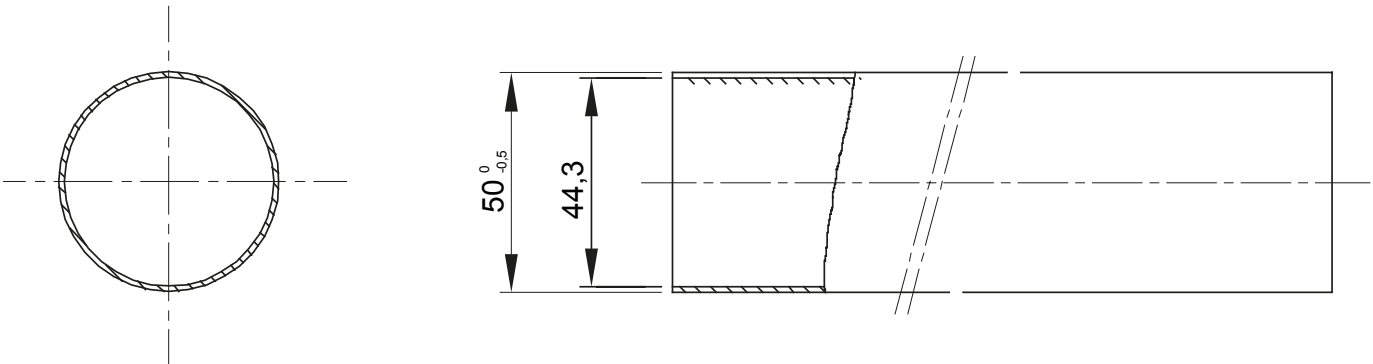




The system of rigid protective conduits made of high quality PVC and PP materials to offer superior performance. Available in diameters from 16 to 32 mm and in lengths from 2 to 3 m. Available in medium, heavy and heavy version in halogen free materials. They can be integrate with conduits flexible systems, spiral sheaths and junction boxes. Completing the offer, a wide range of couplings and routing components with IP40 and IP67 degree of protection. The products are comply with the EN61386 standard have a quality marks.

| | | | |
|---|---|---|--|
| Colour | Grey RAL 7035 | Material | PVC |
| Length (m) | 3 | Conduits Ø (mm) | 50 |
| Glow Wire Test | 960 °C | Electrocod | 21220 |
| Resistance to compression | 3 (Medium - 750 N) | Resistance to impact | 3 (Medium - 2 J) |
| Resistance to bending | 1 (Rigid) | Electrical characteristics | 2 (With electrical insulating characteristics) |
| Protection against ingress of solid objects without accessories | 0 | Protection against ingress of water objects without accessories | 0 |
| Resistance against corrosion | Not applicable to plastic conduit systems | Fire resistance | 1 (Non-flame propagating) |
| Insulation resistance | 100 MΩ a 500V for 1 minute | Protection against ingress of solid objects with accessories | 4/6 (It depends on the accessories used) |
| Protection against ingress of water with accessories | 0/5/7 (It depends on the accessories used) | Dielectric rigidity | 2000 V a 50 Hz for 15 minutes |
| Standard | EN 61386-1 EN 61386-21 | Family | RK 15 |
| Classification | 3321 | | |

DIMENSIONAL



TECHNICAL SYMBOLOGY



STANDARDS/APPROVALS

