



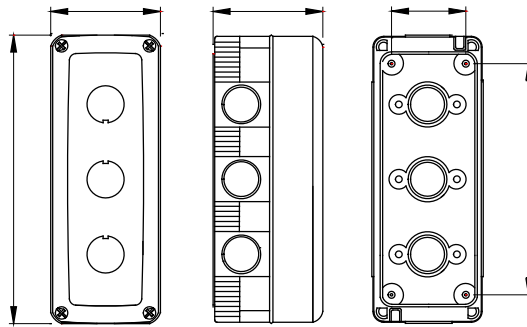
A complete, versatile system of modular containers, perfectly integrable in the SYSTEM domestic range and able to meet the high protection installation requirements of the residential, commercial and industrial sectors. The 27 COMBI range is available both in the IP40 version and in watertight versions with IP55, IP65 and IP66 degree of protection, recommended for all outdoor applications which are subjected to extreme atmospheric conditions.

| | | | |
|---------------------------|-----------------|--------------------------|---------------------|
| Description | For push button | No. gangs | 3 |
| Colour | Grey RAL 7035 | Type of knockout holes | Removable with tool |
| Side entries | 4xØ 23 | Top entries | 1xØ 23 |
| Bottom entries | 1xØ 23 | IP degree | IP66 |
| Insulation class | II | Mechanical resistance | IK07 |
| Lid screws | Stainless steel | Torque screws tightening | 0.8 Newton/meter |
| Outer dim. LxHxD (mm) | 66x171x65 | Glow Wire Test | 650 °C |
| Thermo-pressure with ball | 70 °C | Standard | EN 60670-1 |
| Installation temperature | -25 +60 °C | Electrocod | 0212 |

BEHAVIOUR WITH CHEMICAL AND ATMOSPHERIC AGENTS

| Saline solution | Acids | | Bases | | Solvents | | | | Mineral oil | UV rays |
|-----------------|---------------|-----------|--------------|-----------|--------------------|---------------|---------------|--------------------|--------------------|--------------------|
| | Concentrated | Diluted | Concentrated | Diluted | Hexane | Benzol | Acetone | Ethyl alcohol | | |
| Resistant | Not resistant | Resistant | Resistant | Resistant | Limited resistance | Not resistant | Not resistant | Limited resistance | Limited resistance | Limited resistance |

DIMENSIONAL



TECHNICAL SYMBOLOGY



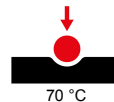
IP
IP66



II

IK
IK07

GWT
650 °C



70 °C

STANDARDS/APPROVALS

