



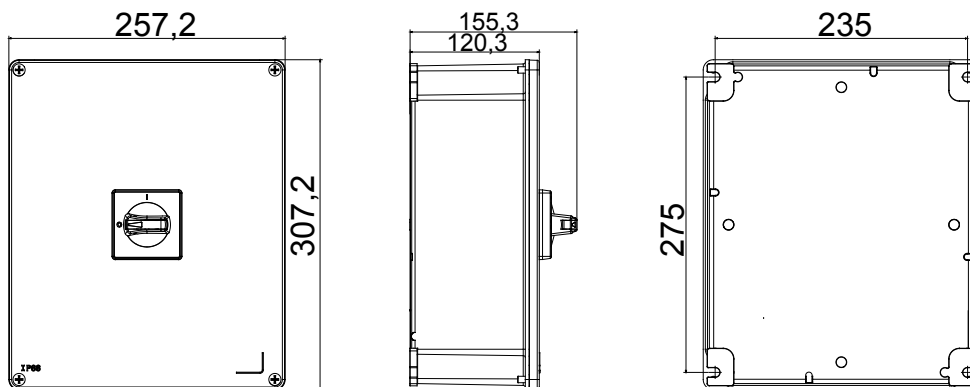
70 RT HP is a complete offer of rotary isolator switches from 16 A to 160 A, available in boxes both in insulating material and metal, in control or emergency versions, compatible with the main applications for residential, tertiary and industrial contexts. DC versions for photovoltaic applications are also available from 16 A to 40 A in insulating box. The series is completed with versions for board from 16 A to 1000 A and for DIN rail fixing from 16 A to 63 A, which can be equipped with auxiliary contacts. The devices have been designed to reduce wiring time, facilitate installation and guarantee the maximum safety and robustness even in the most demanding conditions.

| | | | |
|-------------------------|--|---------------------------|---------------------------|
| Circuit breaker | Rotary isolator | Version | Box |
| Material | Metal | Type | Command |
| Rated current (A) | 63 | No. of poles | 6P |
| Knob colour | Black | Lockable | YES (max. 3 locks in OFF) |
| IP degree | IP66 | Mechanical resistance | IK10 (box); IK08 (knob) |
| Ambient temperature | -25 +60 °C | Lid screws (no. and type) | 4 metal screws |
| Current in AC21A (415V) | 63 | Current in AC22A (415V) | 63 |
| Type of accessory | Max. 4 auxiliary contacts (2 per side) | Current in AC23A (415V) | 63 |
| Cable section | 4-70 mm ² | | |

BEHAVIOUR WITH CHEMICAL AND ATMOSPHERIC AGENTS

| Saline solution | Acids | | Bases | | Solvents | | | | Mineral oil | UV rays |
|-----------------|--------------------|--------------------|--------------------|--------------------|-----------|-----------|-----------|---------------|-------------|-----------|
| | Concentrated | Diluted | Concentrated | Diluted | Hexane | Benzol | Acetone | Ethyl alcohol | | |
| Resistant | Limited resistance | Limited resistance | Limited resistance | Limited resistance | Resistant | Resistant | Resistant | Resistant | Resistant | Resistant |

DIMENSIONAL



TECHNICAL SYMBOLOGY

IP

IP66

IK

IK10 (box); IK08 (knob)

STANDARDS/APPROVALS

