



70 RT HP is a complete offer of rotary isolator switches from 16 A to 160 A, available in boxes both in insulating material and metal, in control or emergency versions, compatible with the main applications for residential, tertiary and industrial contexts.

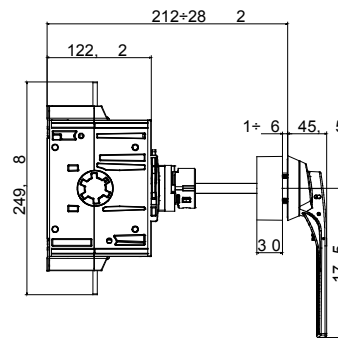
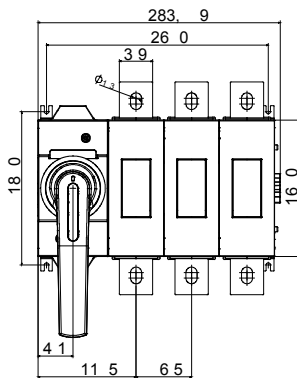
DC versions for photovoltaic applications are also available from 16 A to 40 A in insulating box.

The series is completed with versions for board from 16 A to 1000 A and for DIN rail fixing from 16 A to 63 A, which can be equipped with auxiliary contacts.

The devices have been designed to reduce wiring time, facilitate installation and guarantee the maximum safety and robustness even in the most demanding conditions.

| Circuit breaker | Rotary isolator | Version | For board |
|----------------------------|-----------------|-------------------------|---------------------------|
| Rated current (A) | 630 | No. of poles | 3P |
| Regulation field | 212 - 282 mm | No. of modules EN 50022 | 16 |
| Current in AC21A (415V) | 630 | Knob colour | Black |
| Current in AC22A (415V) | 630 | Lockable | YES (max. 3 locks in OFF) |
| Current in AC23A (415V) | 630 | Cable section | 2x185 mm ² |
| Power dissipation per pole | 25 W/pole | | |

DIMENSIONAL



STANDARDS/APPROVALS

