



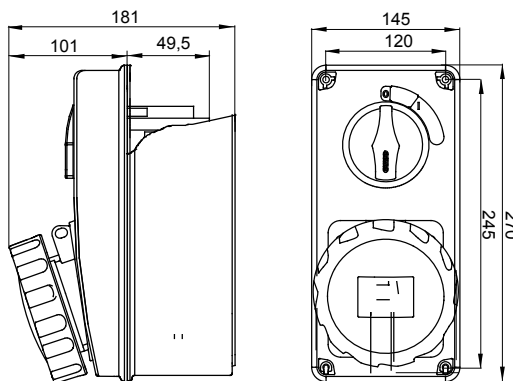
Industrial-type socket-outlets conforming to IEC 309 Standard, with mechanical interlock consisting of a circuit breaker enabling the plug to be connected and disconnected only in the open position, and the switch to close only with the plug inserted. Wide range including models with rotary switch and fuseholder base, AUTOMATIKA with 6kA C characteristic miniature circuit breaker, and version with safety transformer. High application versatility thanks to the possibility of assembly in back-mounting and flush-mounting boxes, and boards of the 68 Q-DIN and Q-MC ranges.

|                                     |                                      |                           |                                     |
|-------------------------------------|--------------------------------------|---------------------------|-------------------------------------|
| Type                                | Vertical                             | Thermo-pressure with ball | 125 °C (IB socket) - 80 °C (bottom) |
| IP degree                           | IP67                                 | No. of poles              | 3P+E                                |
| Mechanical resistance               | IK08                                 | Frequency                 | 50/60 Hz                            |
| Operating temperature               | -25 +40 °C                           | Protection                | NO (SBF)                            |
| With back-mounting box              | Yes                                  | Electrocod                | 2222                                |
| Glow wire test                      | 850 °C (IB socket) - 650 °C (bottom) | Colour                    | Red                                 |
| IB socket outlet rated current (In) | 63 A                                 | Rated current (A)         | 63                                  |
| Reference h                         | 6                                    | Rated voltage             | 380 - 415 V                         |

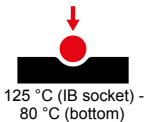
#### BEHAVIOUR WITH CHEMICAL AND ATMOSPHERIC AGENTS

| Saline solution | Acids         |                    | Bases              |                    | Solvents           |               |               |                    | Mineral oil        | UV rays   |
|-----------------|---------------|--------------------|--------------------|--------------------|--------------------|---------------|---------------|--------------------|--------------------|-----------|
|                 | Concentrated  | Diluted            | Concentrated       | Diluted            | Hexane             | Benzol        | Acetone       | Alcohol            |                    |           |
| Resistant       | Not resistant | Limited resistance | Limited resistance | Limited resistance | Limited resistance | Not resistant | Not resistant | Limited resistance | Limited resistance | Resistant |

#### DIMENSIONAL

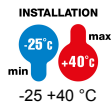


#### TECHNICAL SYMBOLOGY



**IP**  
IP67

IK08



**GWT**

850 °C (IB socket) - 650 °C (bottom)

#### STANDARDS/APPROVALS

