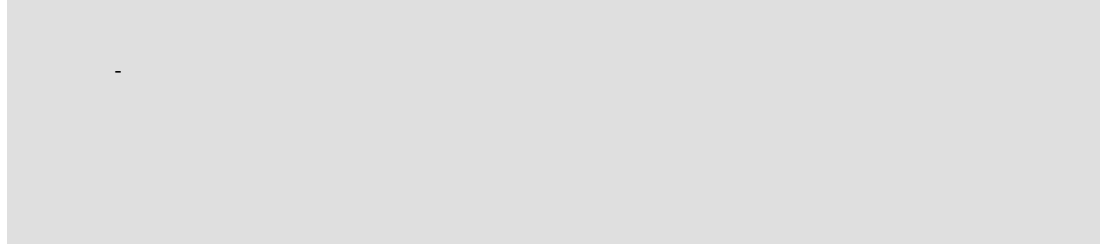


Product Data Sheet

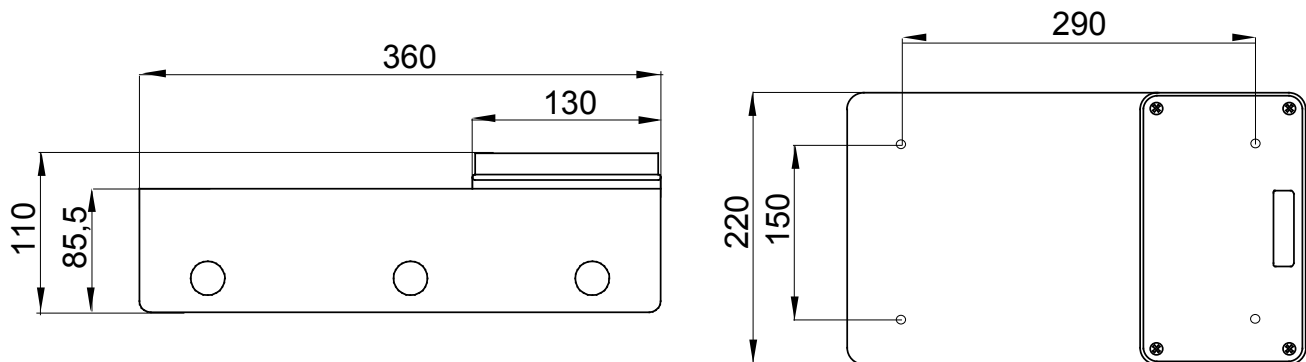
GW66691

IB Range



Top entries	4xØ 23	Glow Wire Test	650 °C
Houseable interloc. socket	2	IP degree	IP55
Mechanical resistance	IK08	Side entries	4xØ 23
Bottom entries	1xØ 29	Houseable IB socket-outlets	16/32 A
Electrocod	2221	Minimum installation temperature	-25°C

DIMENSIONAL



TECHNICAL SYMBOLOGY

GWT

650 °C

IP

IP55

IK

IK08

STANDARDS/APPROVALS

