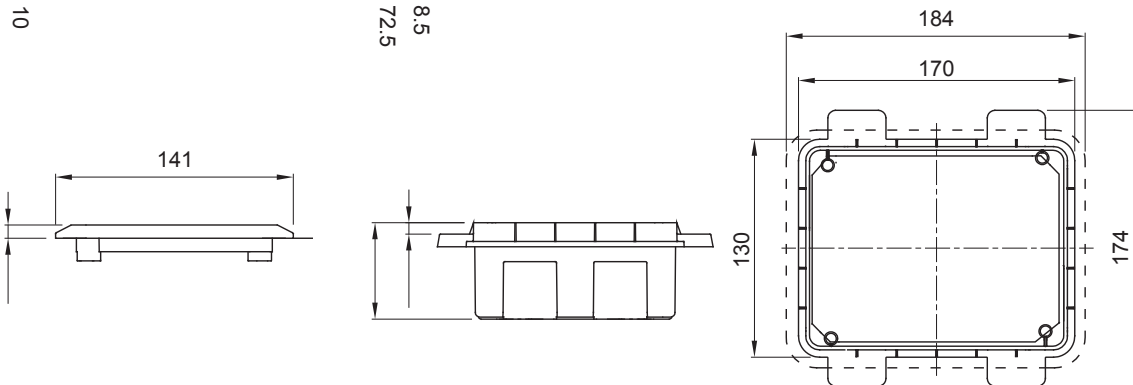


For walls	Plasterboard	For 44 IB socket-outlets	16/32 A SBF
Houseable interloc. socket	1	IP degree	IP44
Mechanical resistance	IK08	Houseable IB socket-outlets	16/32 A
For socket-outlets	SBF horizontal	Electrocod	2220
Glow wire test	850 °C (bottom) - 650 °C (frame)	Drilling bottom	Through multidiameter cutter
Minimum installation temperature	-15°C		

DIMENSIONAL



TECHNICAL SYMBOLOGY

IP

IP44

IK

IK08

GWT

850 °C (bottom) -
650 °C (frame)

STANDARDS/APPROVALS

