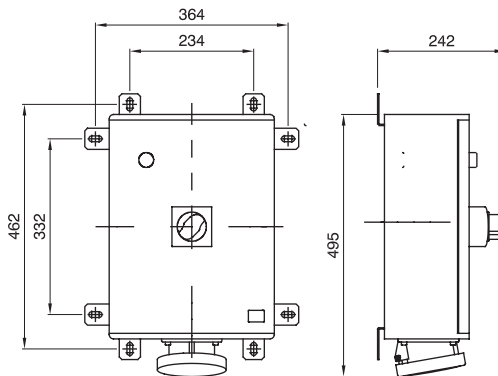




Range of industrial sockets-outlets with rated current equal to 125A in compliance with IEC 60309, with electrical interlock and with MCCB or MCCB equipped with residual current device. The casing of the sockets is made in high performance polyester reinforced with fibre-glass, resistant to UV rays according to EN 62208, impact and abnormal heat and fire. The robustness of the products and their resistance allow the installation in heavy duty environments and with critical atmospheric.

Type	Vertical	Thermo-pressure with ball	200 °C
Impact resistance at -20 °C	20 J	IP degree	IP66
No. of poles	3P+N+E	Mechanical resistance	IK10
Frequency	50/60 Hz	Terminal tightening capacity	2,5-50 mm ² flexible cables - 2,5-70 mm ² rigid cables
Operating temperature	-25 +40 °C	Protection	MCB+ADD-ON RCD
Electrocod	2221	Glow wire test	850 °C (Socket) - 960 °C (Case)
Colour	Blue	Circuit breaker	125A 25 kA C characteristic 30-3000 mA
Rated current (A)	125	Reference h	9
Rated voltage	200-250 V	Type of use	Heavy duty

DIMENSIONAL



TECHNICAL SYMBOLOGY



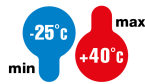
200 °C

IP

IP66

IK10

INSTALLATION



GWT

850 °C (Socket) -
960 °C (Case)

STANDARDS/APPROVALS

