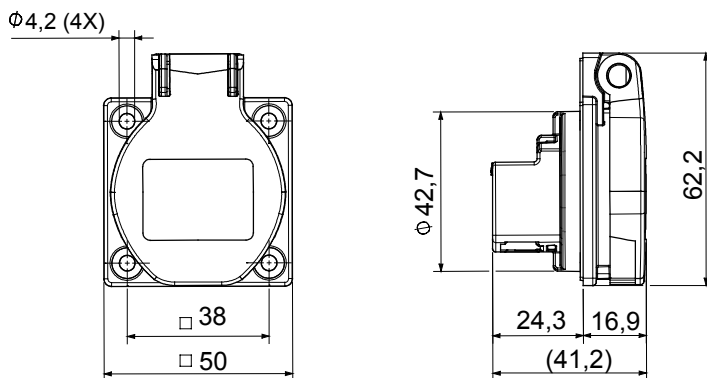


Flange dimensions (mm)	50x50	Thermo-pressure with ball	125 °C (active parts) - 70 °C (passive parts)
IP degree	IP54	No. of poles	2P+E
Frequency	50/60 Hz	Terminal tightening capacity	1x1,5 - 2x2,5 mm ² flexible cables - 1x1,5 - 2x2,5 mm ² rigid cables
Operating temperature	-25 +55 °C	Type of wiring	With screw
Glow wire test	850 °C (active parts) - 650 °C (passive parts)	Colour	Blue
Rated current (A)	16	Rated voltage	230 V
Standard	German		

BEHAVIOUR WITH CHEMICAL AND ATMOSPHERIC AGENTS

Saline solution	Acids		Bases		Solvents				Mineral oil	UV rays
	Concentrated	Diluted	Concentrated	Diluted	Hexane	Benzol	Acetone	Alcohol		
Resistant	Not resistant	Limited resistance	Not resistant	Limited resistance	Limited resistance	Not resistant	Not resistant	Limited resistance	Limited resistance	Limited resistance

DIMENSIONAL



TECHNICAL SYMBOLOGY

125 °C (active parts)
- 70 °C (passive parts)

IP
IP54

INSTALLATION
-25 °C min to +55 °C max
-25 +55 °C

With screw

GWT
850 °C (active parts)
- 650 °C (passive parts)

STANDARDS/APPROVALS

