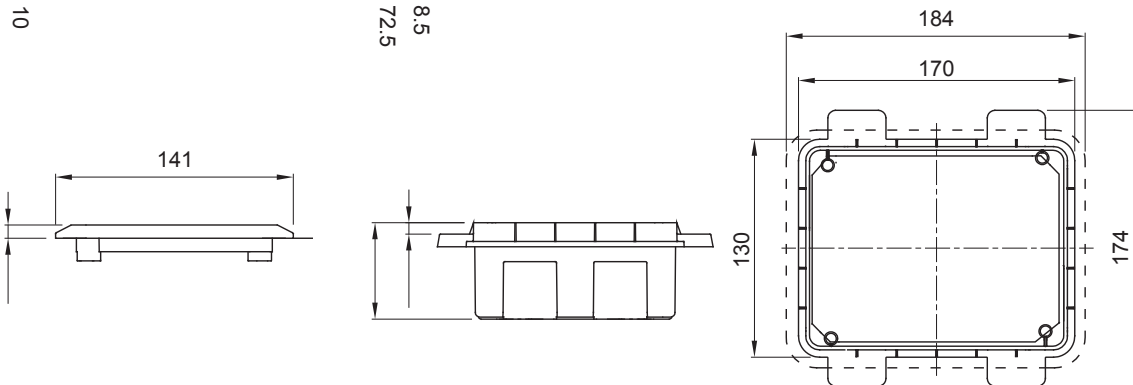


For walls	Plasterboard	For 44 IB socket-outlets	16/32 A SBF
Houseable interloc. socket	1	IP degree	IP44
Mechanical resistance	IK08	Houseable IB socket-outlets	16/32 A
For socket-outlets	SBF horizontal	Electrocod	2220
Glow wire test	850 °C (bottom) - 650 °C (frame)	Drilling bottom	Through multidiameter cutter
Minimum installation temperature	-15°C		

### DIMENSIONAL



### TECHNICAL SYMBOLOGY

**IP**

IP44

**IK**

IK08

**GWT**

850 °C (bottom) -  
650 °C (frame)

### STANDARDS/APPROVALS

