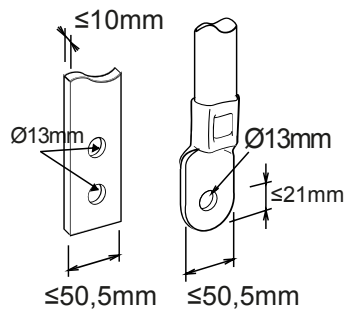




Description Interruttore automatico scatolato
 Code MSXE 1250
 No. of poles 3P
 Rated current 1250 A
 Release Electronic

ELECTRICAL CHARACTERISTICS		MECHANICAL CHARACTERISTICS	
Standard	IEC/EN 60947-2	Execution	Fixed
Use category	B	DIN rail mounting	No
Rated frequency (Hz)	50 / 60	Can be equipped with motor operator	Yes
Rated operating voltage (Ue)	690 Vac	Compatible interlock	-
Rated impulse withstand voltage (Uimp)	8 kV	Terminals supplied	Front FB Extended
Overtoltage category	IV	Assembly position	Any
Insulation voltage (Ui)	800 V	Upline/downline power supply	Yes
Thermal regulation	0,4 - 0,5 - 0,63 - 0,8 - 0,9 - 0,95 - 1 x In	Electrical life (415Vac)	4.000 cycles
Magnetic regulation	Electronic LSI	Mechanical life	5.000 cycles
Neutral protection	-	Operating temperature	-5°C +65°C
Total power loss	210.93 W	Stocking temperature	-20° +65°
Rated short-circuit current making capacity (Icm)	-	Weight (kg)	19.8
Rated short-time withstand current for 0,3s (Icw)	15 kA	Width	210 mm
I _{dn} regulation	-	Height	370 mm
DT regulation	-	Depth	120 mm
SERVICE BREAKING CAPACITY (ICU)		RATED BREAKING CAPACITY (ICS)	
220/240Vac	100 kA	220/240Vac	75 kA
400/415Vac	70 kA	400/415Vac	50 kA
440Vac	65 kA	440Vac	50 kA
525Vac	45 kA	525Vac	34 kA
690Vac	25 kA	690Vac	20 kA
250Vdc	-	250Vdc	-

DIMENSIONAL





Product Data Sheet

GWD9581

MSX

STANDARDS/APPROVALS

