



Description Interruttore automatico scatolato
 Code MSXE 250
 No. of poles 3P
 Rated current 250 A
 Release Electronic

ELECTRICAL CHARACTERISTICS

| | |
|---|--|
| Standard | IEC/EN 60947-2 |
| Use category | A |
| Rated frequency (Hz) | 50 / 60 |
| Rated operating voltage (Ue) | 690 Vac |
| Rated impulse withstand voltage (Uimp) | 8 kV |
| Overvoltage category | IV |
| Insulation voltage (Ui) | 800 V |
| Thermal regulation | 0,4 - 0,5 - 0,63 - 0,8 - 0,9 - 0,95 - 1 x In |
| Magnetic regulation | Electronic LSI |
| Neutral protection | - |
| Total power loss | 65.7 W |
| Rated short-circuit current making capacity (Icm) | - |
| Rated short-time withstand current for 0,3s (Icw) | - |
| I _{dn} regulation | - |
| DT regulation | - |

SERVICE BREAKING CAPACITY (ICU)

| | |
|------------|--------|
| 220/240Vac | 150 kA |
| 400/415Vac | 125 kA |
| 440Vac | 120 kA |
| 525Vac | 45 kA |
| 690Vac | 20 kA |
| 250Vdc | - |

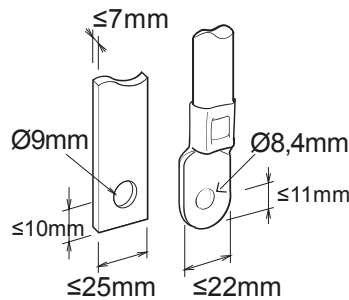
MECHANICAL CHARACTERISTICS

| | |
|-------------------------------------|-----------------|
| Execution | Fixed - Plug-in |
| DIN rail mounting | No |
| Can be equipped with motor operator | Yes |
| Compatible interlock | Lever - Cable |
| Terminals supplied | Front FC |
| Assembly position | Any |
| Upline/downline power supply | Yes |
| Electrical life (415Vac) | 10.000 cycles |
| Mechanical life | 30.000 cycles |
| Operating temperature | -5°C +65°C |
| Stocking temperature | -20° +65° |
| Weight (kg) | 2.3 |
| Width | 105 mm |
| Height | 165 mm |
| Depth | 103 mm |

RATED BREAKING CAPACITY (ICS)

| | | | |
|------------|--------|------------|--------|
| 220/240Vac | 150 kA | 220/240Vac | 150 kA |
| 400/415Vac | 125 kA | 400/415Vac | 85 kA |
| 440Vac | 120 kA | 440Vac | 80 kA |
| 525Vac | 45 kA | 525Vac | 45 kA |
| 690Vac | 20 kA | 690Vac | 15 kA |
| 250Vdc | - | 250Vdc | - |

DIMENSIONAL





Product Data Sheet

GWD9508

MSX

STANDARDS/APPROVALS

