



Description Interruttore automatico scatolato

Code MSXE 160

No. of poles 3P

Rated current 125 A

Release Electronic

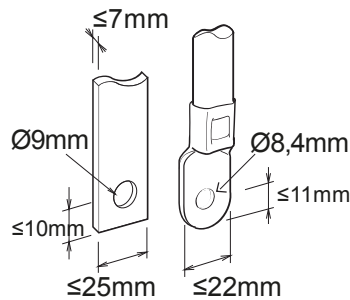
ELECTRICAL CHARACTERISTICS

| Standard | IEC/EN 60947-2 | Execution | Fixed - Plug-in |
|---|--|-------------------------------------|-----------------|
| Use category | A | DIN rail mounting | No |
| Rated frequency (Hz) | 50 / 60 | Can be equipped with motor operator | Yes |
| Rated operating voltage (Ue) | 690 Vac | Compatible interlock | Lever - Cable |
| Rated impulse withstand voltage (Uimp) | 8 kV | Terminals supplied | Front FC |
| Overtoltage category | IV | Assembly position | Any |
| Insulation voltage (Ui) | 800 V | Upline/downline power supply | Yes |
| Thermal regulation | 0,4 - 0,5 - 0,63 - 0,8 - 0,9 - 0,95 - 1 x In | Electrical life (415Vac) | 10.000 cycles |
| Magnetic regulation | Electronic LSI | Mechanical life | 30.000 cycles |
| Neutral protection | - | Operating temperature | -5°C +65°C |
| Total power loss | 16.41 W | Stocking temperature | -20° +65° |
| Rated short-circuit current making capacity (Icm) | - | Weight (kg) | 2.3 |
| Rated short-time withstand current for 0,3s (Icw) | - | Width | 105 mm |
| I _{dn} regulation | - | Height | 165 mm |
| DT regulation | - | Depth | 103 mm |

SERVICE BREAKING CAPACITY (ICU)

| 220/240Vac | 150 kA | 220/240Vac | 150 kA |
|------------|--------|------------|--------|
| 400/415Vac | 125 kA | 400/415Vac | 85 kA |
| 440Vac | 120 kA | 440Vac | 80 kA |
| 525Vac | 45 kA | 525Vac | 45 kA |
| 690Vac | 20 kA | 690Vac | 15 kA |
| 250Vdc | - | 250Vdc | - |

DIMENSIONAL





Product Data Sheet

GWD9506

MSX

STANDARDS/APPROVALS

