



Description Interruttore non automatico scatolato
 Code MSXM 1250
 No. of poles 4P
 Rated current 1250 A
 Release -

ELECTRICAL CHARACTERISTICS

MECHANICAL CHARACTERISTICS

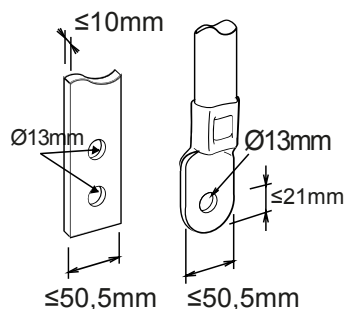
| | | | |
|---|-------------------|-------------------------------------|----------------------------|
| Standard | IEC/EN 60947-2 | Execution | Fixed |
| Use category | AC-23A, DC-22A | DIN rail mounting | No |
| Rated frequency (Hz) | 50 / 60 | Can be equipped with motor operator | Yes |
| Rated operating voltage (Ue) | 690 Vac - 250 Vdc | Compatible interlock | Cable (mechanism supplied) |
| Rated impulse withstand voltage (Uimp) | 8 kV | Terminals supplied | Rear RC |
| Overtoltage category | IV | Assembly position | Any |
| Insulation voltage (Ui) | 800 V | Upline/downline power supply | Yes |
| Thermal regulation | - | Electrical life (415Vac) | 4.000 cycles |
| Magnetic regulation | - | Mechanical life | 5.000 cycles |
| Neutral protection | - | Operating temperature | -5°C +65°C |
| Total power loss | 281.24 W | Stocking temperature | -20° +65° |
| Rated short-circuit current making capacity (Icm) | 32 | Weight (kg) | 23.4 |
| Rated short-time withstand current for 0,3s (Icw) | 15 kA | Width | 280 mm |
| I _{dn} regulation | - | Height | 370 mm |
| DT regulation | - | Depth | 120 mm |

SERVICE BREAKING CAPACITY (ICU)

RATED BREAKING CAPACITY (ICS)

| | | | |
|------------|---|------------|---|
| 220/240Vac | - | 220/240Vac | - |
| 400/415Vac | - | 400/415Vac | - |
| 440Vac | - | 440Vac | - |
| 525Vac | - | 525Vac | - |
| 690Vac | - | 690Vac | - |
| 250Vdc | - | 250Vdc | - |

DIMENSIONAL





Product Data Sheet

GWD9460B

MSX

STANDARDS/APPROVALS

