



Description Interruttore automatico scatolato
 Code MSXE 1600
 No. of poles 3P
 Rated current 1600 A
 Release Electronic

ELECTRICAL CHARACTERISTICS

Standard	IEC/EN 60947-2
Use category	B
Rated frequency (Hz)	50 / 60
Rated operating voltage (Ue)	690 Vac
Rated impulse withstand voltage (Uimp)	8 kV
Overvoltage category	IV
Insulation voltage (Ui)	800 V
Thermal regulation	0,4 - 0,5 - 0,63 - 0,8 - 0,9 - 0,95 - 1 x In
Magnetic regulation	Electronic LSI
Neutral protection	-
Total power loss	168.96 W
Rated short-circuit current making capacity (Icm)	-
Rated short-time withstand current for 0,3s (Icw)	20 kA
I _{dn} regulation	-
DT regulation	-

MECHANICAL CHARACTERISTICS

Execution	Fixed
DIN rail mounting	No
Can be equipped with motor operator	Yes
Compatible interlock	-
Terminals supplied	Rear RC
Assembly position	Any
Upline/downline power supply	Yes
Electrical life (415Vac)	2.000 cycles
Mechanical life	5.000 cycles
Operating temperature	-5°C +65°C
Stocking temperature	-20° +65°
Weight (kg)	27
Width	210 mm
Height	370 mm
Depth	140 mm

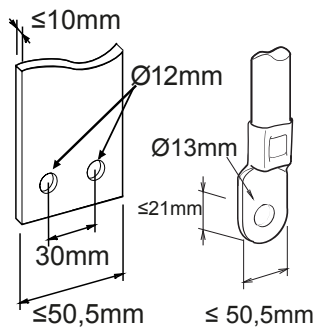
SERVICE BREAKING CAPACITY (ICU)

220/240Vac	85 kA
400/415Vac	50 kA
440Vac	45 kA
525Vac	30 kA
690Vac	20 kA
250Vdc	-

RATED BREAKING CAPACITY (ICS)

220/240Vac	65 kA
400/415Vac	38 kA
440Vac	34 kA
525Vac	23 kA
690Vac	15 kA
250Vdc	-

DIMENSIONAL





Product Data Sheet

GWD9422

MSX

STANDARDS/APPROVALS

