



| | |
|------------------------------|------------------|
| Description | Motor switch |
| Rated operating voltage (Ue) | 220 ... 690 V AC |
| Rated frequency (f) | 50/60 Hz |
| Rated operating current (Ie) | 0,4 A |
| Setting range (It) | 0,25...0,4 A |
| Number of poles | 3P |
| No. modules | 2.5 |

ELECTRICAL CHARACTERISTICS

| | |
|--|----------------|
| Standard | IEC/EN 60947-2 |
| Insulation voltage (Ui) | 690 V |
| Rated impulse withstand voltage (Uimp) | 6 kV |
| Overvoltage category | III |
| Short circuit breaking capacity (Icu) | 100 kA |
| Short circuit breaking capacity (Ics) | 100 kA |
| Max. back-up fuse, if Icp > Icu | No |
| Power dissipation per pole | 2,5 W |

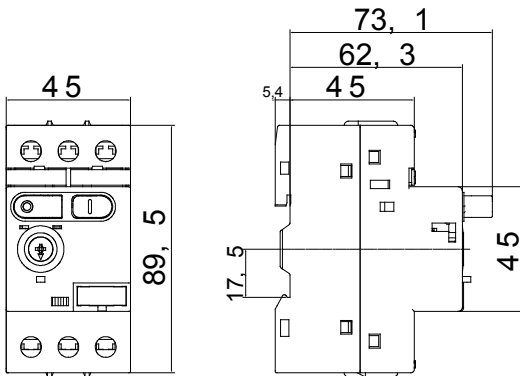
PROTECTIONS

| | |
|---------------------|--|
| Type of protection | Thermo magnetic |
| Tripping indication | The trip of the protection is signalled by the intermediate position of the START and STOP buttons |

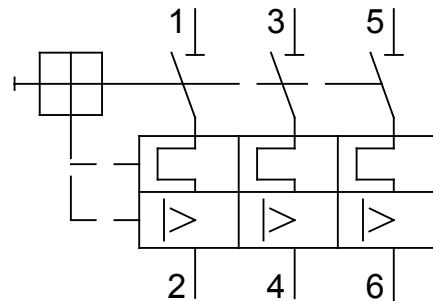
MECHANICAL FACTS

| | |
|---|----------------------|
| Mounting position | Any |
| Mechanical endurance (O-C cycle number) | 100000 |
| Electrical endurance (O-C cycle number) | 100000 (AC-3) |
| IP degree | IP20 |
| Pollution rating | 3 |
| Section rigid cable | <=10 mm ² |
| Section flexible cable | <=6 mm ² |
| Max. conductor stripping length | 10 mm |
| Rated tightening torque | 2 Nm |
| Operating temperature | -25 +60 °C |
| Stocking temperature | -25 +70 °C |

DIMENSIONAL



WIRING DIAGRAM



STANDARDS/APPROVALS

