

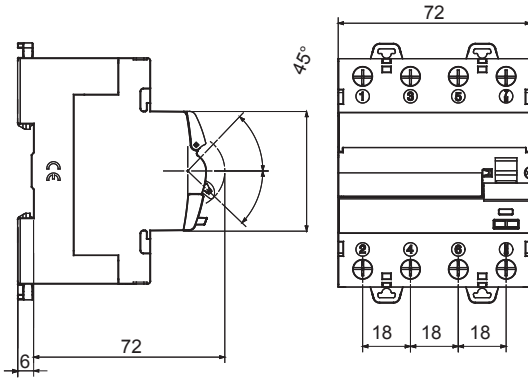


| Description | RESIDUAL CURRENT CIRCUIT BREAKER |
|--|----------------------------------|
| Code | IDP |
| No. of poles | 4P |
| No. modules | 4 |
| Rated current | 63 A |
| Rated residual operating current | 30 mA |
| Type | B |
| Rated voltage (EN/IEC 61008-1, 61008-2-1, 62423) | 400/415 V |

| | | | |
|---------------------------|--|--|--------------------------------|
| Standard | IEC/EN 61008-1, IEC/EN 61008-2-1, IEC/EN 62423 | Rated frequency (Hz) | 50/60 Hz |
| Insulation voltage (Ui) | 500 V | Rated impulse withstand voltage (Uimp) | 4 kV |
| Overvoltage category | III | Level of immunity (8/20 μs) | 3000 A |
| Section rigid cable | <35 | Section flexible cable | <35 |
| Rated tightening torque | 3 Nm | Double connection | YES (up stream and down stram) |
| Operating temperature | -25 +60°C (40°C with derating) | Stocking temperature | -40 +70 °C |
| Electrical endurance | ≥ 10.000 | Mechanical endurance | ≥ 20000 |
| Auxiliaries compatibility | Yes | ReStart compatibility | Yes |
| Assembly position | Any | | |

DIMENSIONAL

WIRING DIAGRAM



STANDARDS/APPROVALS

