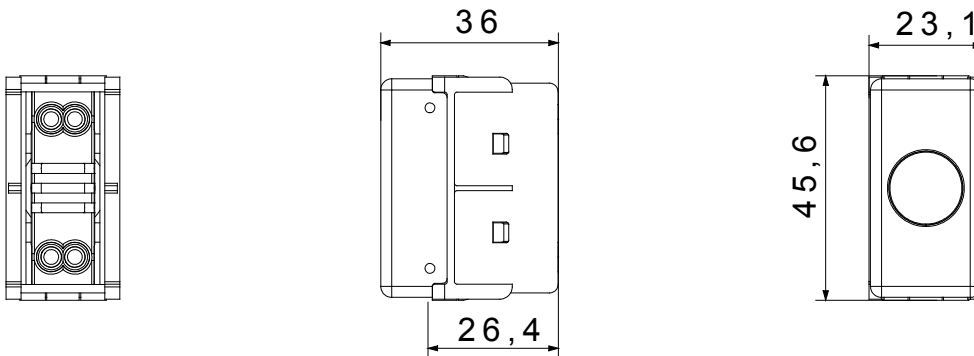




The System modular devices allow the creation of an infinite combination of devices and plates, thanks to a complete range that covers all design, functional and installation needs. Colours and finishes: bright and versatile glossy white, and elegant and classy satin black. Ideal for flush-mounted solutions (for rectangular or square boxes), surface-mounted solutions and special applications. The range includes control units, socket-outlets, breakers, indicators, connectors and devices for the control, safety and comfort of the home. The material is supplied without lamp. Compatible lamp: Cartridge lamp S6x31mm and S6.3x28mm (max 2W)

| | | | |
|--------------------|------------|-----------------|---------------|
| Diffusor type | Flat | Diffuser colour | Light blue |
| Diffuser meaning | Specific | Fixing for lamp | Cartridge |
| Standard | EN 62094-1 | Colour | Black |
| No. SYSTEM modules | 1 | Material | Technopolymer |
| Electrocod | 0132 | | |

DIMENSIONAL



STANDARDS/APPROVALS

