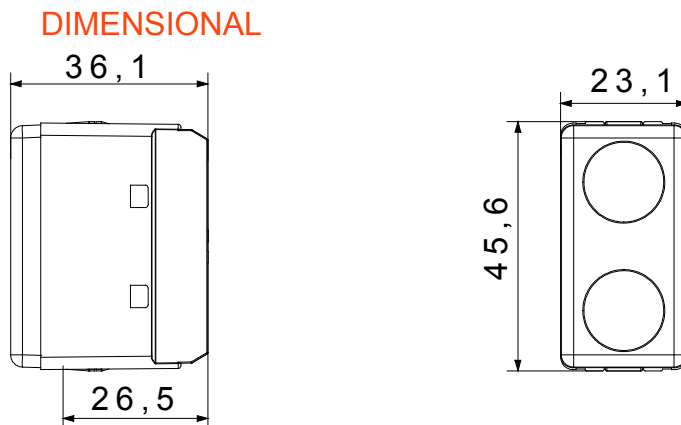
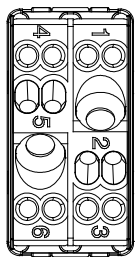




The System modular devices allow the creation of an infinite combination of devices and plates, thanks to a complete range that covers all design, functional and installation needs. Colours and finishes: bright and versatile glossy white, and elegant and classy satin black. Ideal for flush-mounted solutions (for rectangular or square boxes), surface-mounted solutions and special applications. The range includes control units, socket-outlets, breakers, indicators, connectors and devices for the control, safety and comfort of the home.

Diffusor type	Flat	Diffuser colour	Red/green
Lamp voltage	230V ac	Standard	EN 62094-1
Colour	Black	No. SYSTEM modules	1
Electrocod	0132		



STANDARDS/APPROVALS

