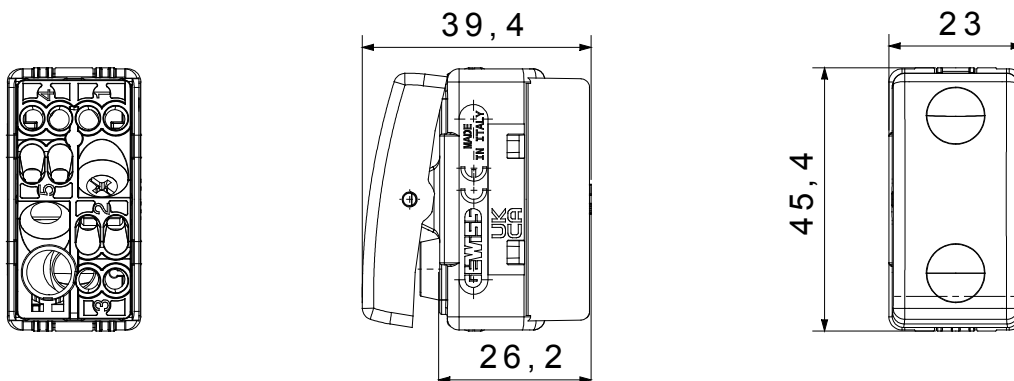




The System modular devices allow the creation of infinite combinations of devices and plates, through a complete range that covers all design, functional and installation needs. Colours and finishes: satin black, elegant and classy. Ideal for flush-mounted solutions (for rectangular or square boxes), surface-mounted solutions and special applications. The range includes control units, socket-outlets, breakers, indicators, connectors and devices for the control, safety and comfort of your home

| | | | |
|---|--------------------------------|--|-----------------------|
| Category | One-way switch | Button key | Neutral |
| Symbol | 0/1 | Colour | Black |
| Description | 2P - 16 AX | Voltage | 250 V ac |
| Signalling unit | - | Standard | EN 60669-1 |
| Resistance at test voltage | 2000 V at 50 Hz for 1 minute | Rated power of 230V LED lamps | 200 W |
| Insulation resistance | > 5 MOhm | Wiring terminals | With screw |
| Prolonged operation switch (no.of position changes) | 40.000 at In 250 V ac cosφ=0,6 | Thermo-pressure with ball | 125 °C |
| Glow Wire Test | 850 °C | Terminal grip on cable traction | > 50 N |
| Terminal tightening capacity stranded cables (mm ²) | min. 0,75 - max. 2x4 | Terminal tightening capacity solid cables (mm ²) | min. 0,5 - max. 2x2,5 |
| No. SYSTEM modules | 1 | Material | Technopolymer |
| Electrocod | 0130 | | |

DIMENSIONAL



TECHNICAL SYMBOLOGY



STANDARDS/APPROVALS

