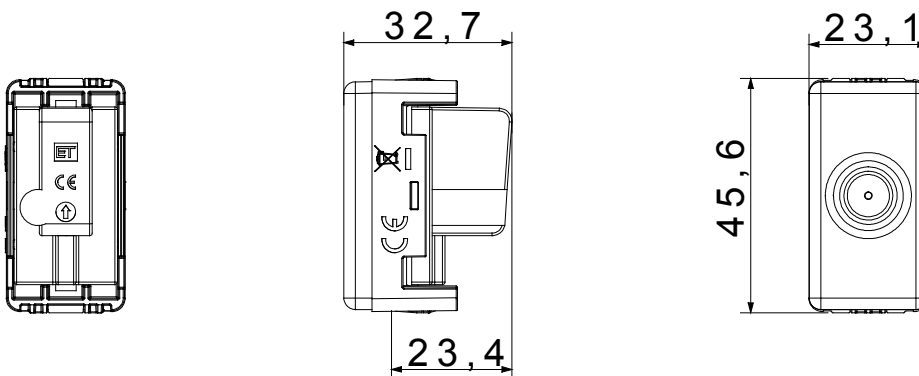




The System modular devices allow the creation of infinite combinations of devices and plates, through a complete range that covers all design, functional and installation needs. Colours and finishes: satin black, elegant and classy. The range includes control units, socket-outlets, breakers, indicators, connectors and devices for the control, safety and comfort of your home.

Category	TV socket-outlet	Description	Direct
Type	With passage of current	Colour	Black
Attenuation	0 dB	Frequency	5-2400 MHz
Shielding	Class A	For connector type	IEC-Male
Standard	EN 60728-4; IEC 61169-2	No. SYSTEM modules	1
Cable fixing	With screw	Case	Pressure casting zamak metal body
Material	Technopolymer	Electrocod	0131

DIMENSIONAL



STANDARDS/APPROVALS

