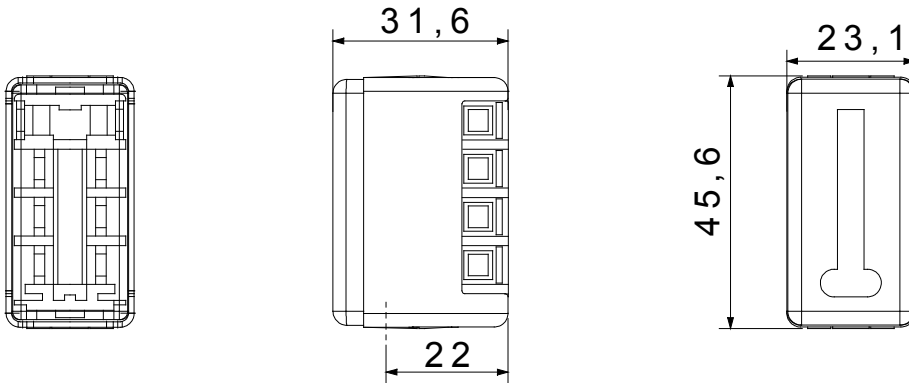




The System modular devices allow the creation of infinite combinations of devices and plates, through a complete range that covers all design, functional and installation needs. Colours and finishes: satin black, elegant and classy. The range includes control units, socket-outlets, breakers, indicators, connectors and devices for the control, safety and comfort of your home.

Category	Data and audio/video sockets	Description	French 8 contacts
Colour	Black	Standard	French
Cables type	-	Connection	Screw-on terminals
No. SYSTEM modules	1	Material	Technopolymer
Electrocod	3722		

#### DIMENSIONAL



#### STANDARDS/APPROVALS

