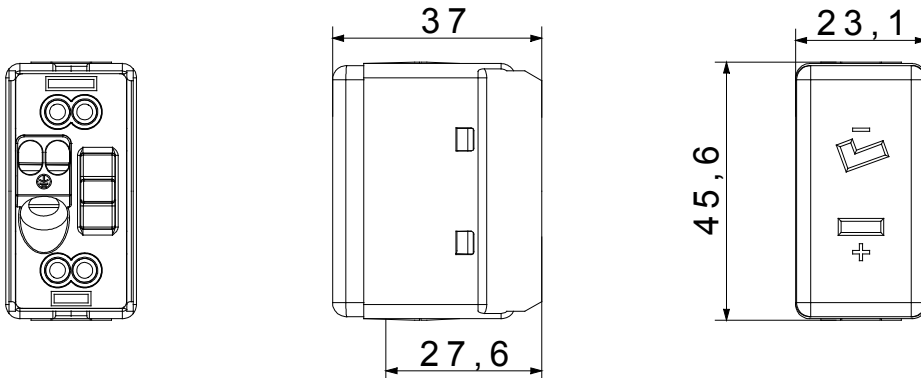




The System modular devices allow the creation of infinite combinations of devices and plates, through a complete range that covers all design, functional and installation needs. Colours and finishes: satin black, elegant and classy. The range includes control units, socket-outlets, breakers, indicators, connectors and devices for the control, safety and comfort of your home.

|   |                      |  |                                   |
|---|----------------------|--|-----------------------------------|
| Category  | -                    | Description  | 2P - 6A - 24V polarized           |
| For plug pins   | Flat                 | Centre distance  | 12.4 mm                           |
| Thermo-pressure with ball                                       | 125 °C               | Glow Wire Test   | 0 °C                              |
| Terminal tightening capacity stranded cables (mm <sup>2</sup> ) | min. 0,75 - max. 2x4 | Terminal tightening capacity solid cables (mm <sup>2</sup> ) | min. 0,5 - max. 2x2,5             |
| Colour  | Black                | No. SYSTEM modules   | 1                                 |
| Cable fixing  | With screw           | Case   | Pressure casting zamak metal body |
| Material  | Technopolymer        | Electrocod   | 0131                              |

### DIMENSIONAL



### TECHNICAL SYMBOLOGY



### STANDARDS/APPROVALS

