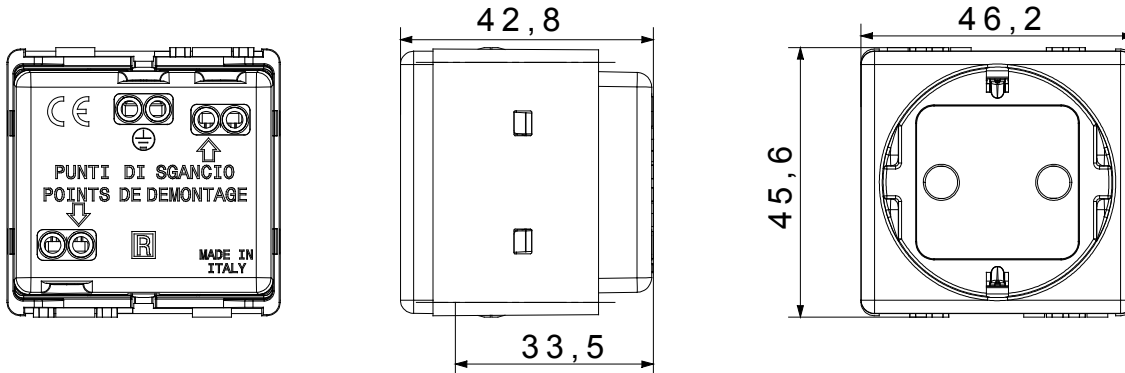




The System modular devices allow the creation of infinite combinations of devices and plates, through a complete range that covers all design, functional and installation needs. Colours and finishes: satin black, elegant and classy. Ideal for flush-mounted solutions (for rectangular or square boxes), surface-mounted solutions and special applications. The range includes control units, socket-outlets, breakers, indicators, connectors and devices for the control, safety and comfort of your home

Category	Socket-Outlet	Description	2P+E - 16A
Colour	Black	Voltage	250 V ac
Earth pit	Side and central	Standard	Italian / German
Characteristics	With screw	For plug pins	Ø 4 / 4.8 mm
Type	P30	Standard	CEI 23-50 / IEC 60884-1
Resistance at test voltage	2000 V at 50 Hz for 1 minute	Prolonged operation switch (no.of position changes)	10.000 at In 250 V ac cosφ=0,8
Thermo-pressure with ball	125 °C	Glow Wire Test	850 °C
Terminal grip on cable traction	> 50 N	Terminal tightening capacity stranded cables (mm ²)	min. 0,75 - max. 2x4
Terminal tightening capacity solid cables (mm ²)	min. 0,5 - max. 2x2,5	No. SYSTEM modules	2
Material	Technopolymer	Electrocod	0131

DIMENSIONAL



TECHNICAL SYMBOLOGY



STANDARDS/APPROVALS

