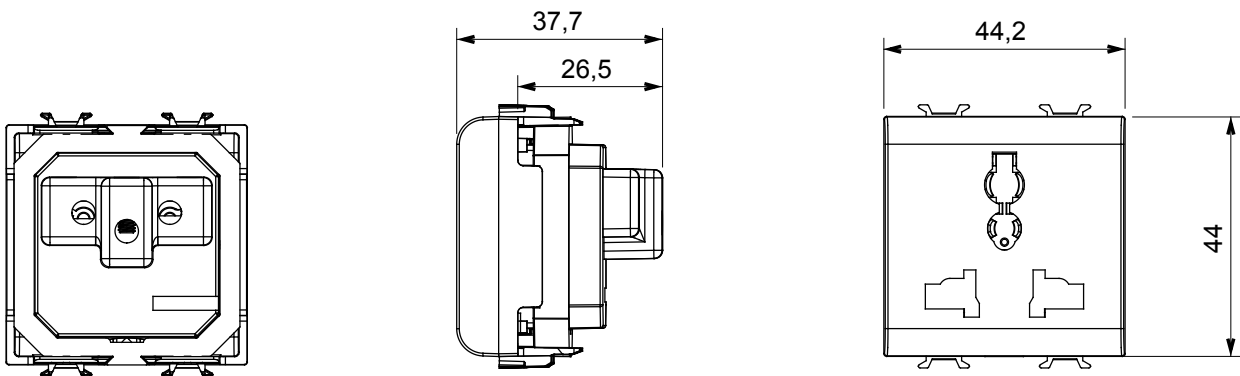


The GW10310, GW12310, GW14310 multi-standard sockets meet the safety requirements of the international standard IEC 60884-1. The sockets of this type, regardless of the manufacturer, are not covered by the Italian CEI Standard 23-50. Their installation within the national territory may therefore be subject to limitations. The permissible plugs are listed below: •Standard Europlug 2,5A 2P (250V) • Chinese Standard 10A 2P+T (250V) • Standard Argentine/Australian 10A 2P+T (250V) • Standard English 13A 2P+T (250V) • Standard English 10A 2P (250V) • Standard USA 15A 2P+T (127V) • Standard Indian 6A 2P+T (250V) • Standard Danish 10A 2P (250V). CAUTION: Not suitable for German and French 2P+T plugs as they do not offer earth continuity.

Category	Socket-outlet	Description	2P+E - 13A/250 V ac - 15A/127 V ac
Colour	Natural satin beige	Voltage	250/127 V ac
Standard	Multistandard	Characteristics	With safety shields
Wiring terminals	With screw	Standard	IEC 60884-1
Resistance at test voltage	2000 V at 50 Hz for 1 minute	Insulation resistance	> 5 MOhm
Prolonged operation socket (no.of position changes)	10.000 at In 250 V ac cosφ=0,8	Thermo-pressure with ball	125 °C
Glow Wire Test	850 °C	Terminal grip on cable traction	> 50 N
Terminal tightening capacity stranded cables (mm ²)	min. 1,5 - max. 2x2,5	Terminal tightening capacity solid cables (mm ²)	min. 1,5 - max. 2x2,5
No. modules	2	Electrocod	0131
Material	Technopolymer		

DIMENSIONAL



TECHNICAL SYMBOLOGY



STANDARDS/APPROVALS

