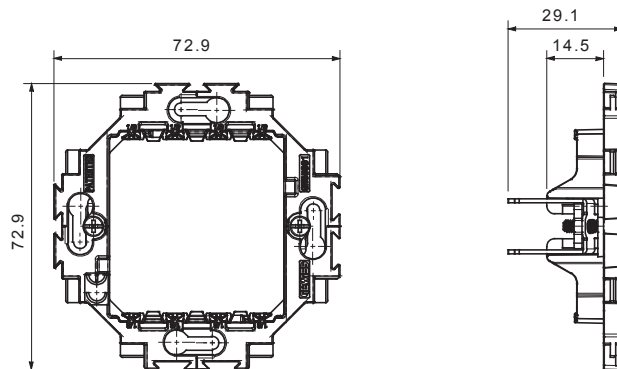


Residential series suitable for installations on round and square boxes, characterised by an elegant appearance and classic shapes. The plates, made of technopolymer in seven colours and with different modularities, from 1 to 5-gang, can be installed in both horizontal and vertical positions. The series, developed around a core of monobloc devices, is available in two colours: white and ivory, both with a glossy finish. Expandable with ChorusSmart modular devices.

Category	Support	Material	Technopolymer
Description	For Dahlia plates	For box	Round/Square
Fixing	With clutches/Screws	Glow wire test	650 °C
Thermo-pressure with ball	70 °C	Standard	EN 60669-1

DIMENSIONAL



TECHNICAL SYMBOLOGY



STANDARDS/APPROVALS

