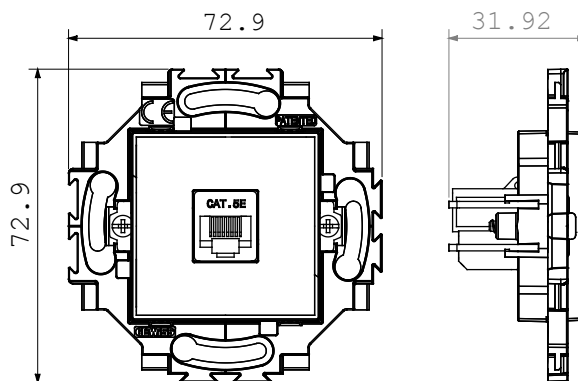


Residential series suitable for installations on round and square boxes, characterised by an elegant appearance and classic shapes. The plates, made of technopolymer in seven colours and with different modularities, from 1 to 5-gang, can be installed in both horizontal and vertical positions. The series, developed around a core of monobloc devices, is available in two colours: white and ivory, both with a glossy finish. Expandable with ChorusSmart modular devices.

Category	Data socket	Colour	White
Material	Technopolymer	Finishing	Glossy
Description	RJ45	Use category	5e
Cables	UTP	Connection	Toolless
Number pairs	4	Fixing	With clutches/Screws
Glow wire test	850 °C	Thermo-pressure with ball	125 °C
Standard	EN 50173		

DIMENSIONAL



TECHNICAL SYMBOLOGY

GWT



850 °C

125 °C

STANDARDS/APPROVALS

