

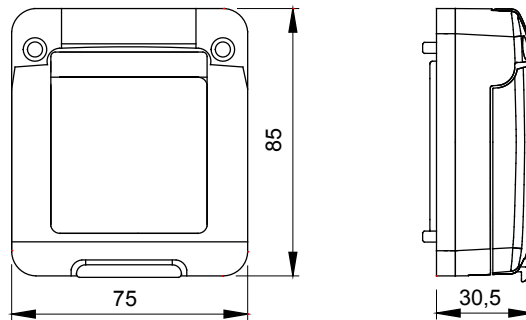
A complete, versatile system of modular containers, perfectly integrable in the SYSTEM domestic range and able to meet the high protection installation requirements of the residential, commercial and industrial sectors. The 27 COMBI range is available both in the IP40 version and in watertight versions with IP55, IP65 and IP66 degree of protection, recommended for all outdoor applications which are subjected to extreme atmospheric conditions.

Colour	Grey RAL 7035	Door type	Rigid IK09
Door colour	Smoked Transparent	IP degree	IP65
Insulation class	II	Mechanical resistance	IK09
No. SYSTEM modules	2	Lid screws	Stainless steel
Torque screws tightening	0.8 Newton/meter	Dimensions LxH (mm)	75x85
Glow Wire Test	650 °C	Thermo-pressure with ball	70 °C
Standard	EN 60669-1	Installation temperature	-25 +60 °C
Electrocod	0220		

#### BEHAVIOUR WITH CHEMICAL AND ATMOSPHERIC AGENTS

Saline solution	Acids		Bases		Solvents				Mineral oil	UV rays
	Concentrated	Diluted	Concentrated	Diluted	Hexane	Benzol	Acetone	Alcohol		
Resistant	Limited resistance	Resistant	Resistant	Resistant	Limited resistance	Not resistant	Not resistant	Not resistant	Limited resistance	Resistant

#### DIMENSIONAL



#### TECHNICAL SYMBOLOGY

IP

IP65



II

IK

IK09

GWT

650 °C



70 °C

#### STANDARDS/APPROVALS

