



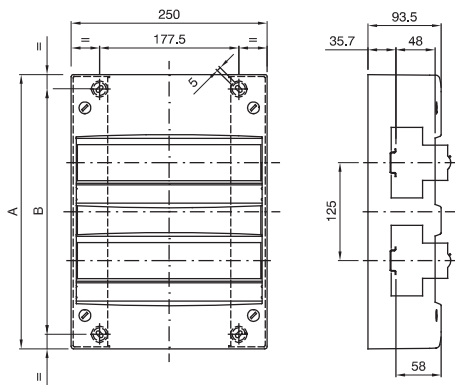
French standard wall mounting enclosure equipped with multipolar terminal blocks. Walls with knock-out elements.

| | | | |
|---|--|---|----------------|
| Insulation class | II | Colour | White RAL 9016 |
| Outer dim. LxHxD (mm) | 250x475x93.5 | IP degree | IP30 |
| Installation | Wall mounting | Mechanical resistance | IK07 |
| No. of modules EN 50022 | 39 (13x3) | Glow Wire Test | 750 °C |
| Standard | IEC EN 60670-1; IEC EN 60670-24; NF C 61-910 | Operating temperature | -25 +60 °C |
| Electrocod | 0321 | Thermo-pressure with ball | 70 °C |
| Phase terminal block (mm ²) | L(1x35)+(5x25) | Neutral terminal block (mm ²) | N(1x35)+(5x25) |
| Earth terminal block (mm ²) | E(7x25)+(36x4) | | |

BEHAVIOUR WITH CHEMICAL AND ATMOSPHERIC AGENTS

| Saline solution | Acids | | Bases | | Solvents | | | | Mineral oil | UV rays |
|-----------------|---------------|--------------------|--------------------|---------------|--------------------|---------------|---------------|--------------------|--------------------|-----------|
| | Concentrated | Diluted | Concentrated | Diluted | Hexane | Benzol | Acetone | Ethyl alcohol | | |
| Resistant | Not resistant | Limited resistance | Limited resistance | Not resistant | Limited resistance | Not resistant | Not resistant | Limited resistance | Limited resistance | Resistant |

DIMENSIONAL



| | Codice | A | B |
|-----|------------------|-----|-----|
| 13M | GW 40 501 | 225 | 188 |
| 26M | GW 40 502 | 350 | 313 |
| 39M | GW 40 503 | 475 | 438 |
| 52M | GW 40 504 | 600 | 563 |

TECHNICAL SYMBOLOGY



II

IP

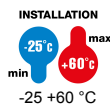
IP30

IK

IK07

GWT

750 °C



-25 +60 °C



70 °C

STANDARDS/APPROVALS

