



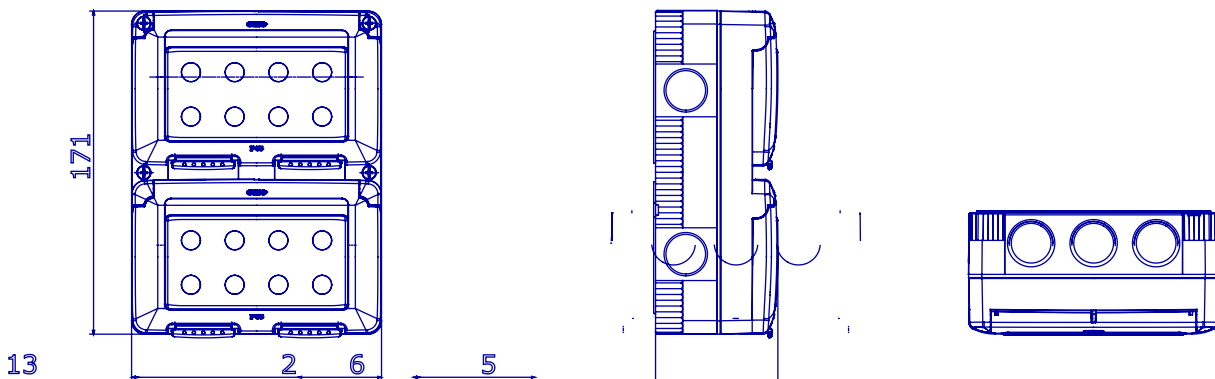
A complete, versatile system of modular containers, perfectly integrable in the SYSTEM domestic range and able to meet the high protection installation requirements of the residential, commercial and industrial sectors. The 27 COMBI range is available both in the IP40 version and in watertight versions with IP55, IP65 and IP66 degree of protection, recommended for all outdoor applications which are subjected to extreme atmospheric conditions.

| | | | |
|-----------------------------|-------------------------------|---------------------------|---------------------|
| Description | 12 modules | Colour | Grey RAL 7035 |
| Door type | With membrane | Door colour | Transparent |
| No. knockout holes Ø23 | 12 on sides / 3 on the bottom | Type of knockout holes | Removable with tool |
| IP degree | IP55 | Insulation class | II |
| Mechanical resistance | IK07 | Configuration | Module 4 x 3 |
| Compartment pre-arrangement | 3 | Lid screws | Stainless steel |
| Torque screws tightening | 0.8 Newton/meter | Outer dim. LxHxD (mm) | 132x258x65 |
| Glow Wire Test | 650 °C | Thermo-pressure with ball | 70 °C |
| Standard | EN 60670-1 | Installation temperature | -25 +60 °C |
| Electrocod | 0212 | | |

BEHAVIOUR WITH CHEMICAL AND ATMOSPHERIC AGENTS

| Saline solution | Acids | | Bases | | Solvents | | | | Mineral oil | UV rays |
|-----------------|--------------------|-----------|--------------|-----------|--------------------|---------------|---------------|---------------|--------------------|-----------|
| | Concentrated | Diluted | Concentrated | Diluted | Hexane | Benzol | Acetone | Alcohol | | |
| Resistant | Limited resistance | Resistant | Resistant | Resistant | Limited resistance | Not resistant | Not resistant | Not resistant | Limited resistance | Resistant |

DIMENSIONAL



TECHNICAL SYMBOLOGY



IP
IP55



II

IK
IK07

GWT
650 °C

70 °C

STANDARDS/APPROVALS

