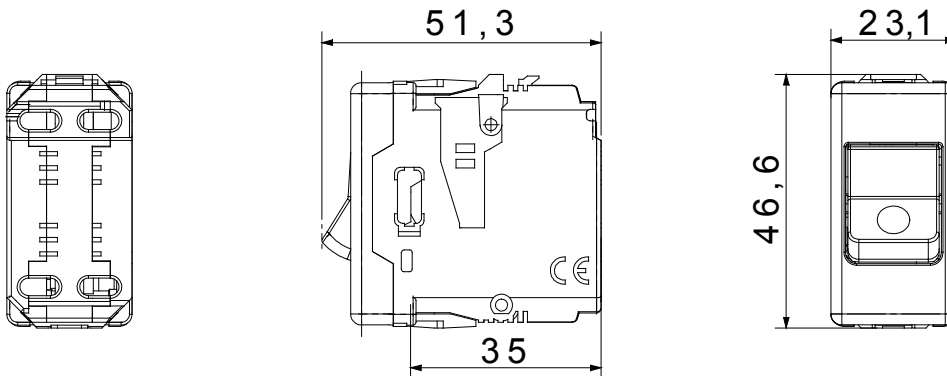




The System modular devices allow the creation of an infinite combination of devices and plates, thanks to a complete range that covers all design, functional and installation needs. Colours and finishes: bright and versatile glossy white, and elegant and classy satin black. Ideal for flush-mounted solutions (for rectangular or square boxes), surface-mounted solutions and special applications. The range includes control units, socket-outlets, breakers, indicators, connectors and devices for the control, safety and comfort of the home.

| | | | |
|-------------------|--------------------------------|--------------------|------------------|
| Type | MCB- miniature circuit breaker | Type | Safety |
| Group | Protection | Description | Single pole (1P) |
| Curve | C | Class | - |
| Voltage | 230V - 50 / 60 Hz | Rated current (A) | 6 |
| Breaking capacity | 3 kA | Colour | White |
| Standard | EN 60898-1 | No. SYSTEM modules | 1 |
| Material | Technopolymer | Electrocod | 0131 |

DIMENSIONAL



STANDARDS/APPROVALS

