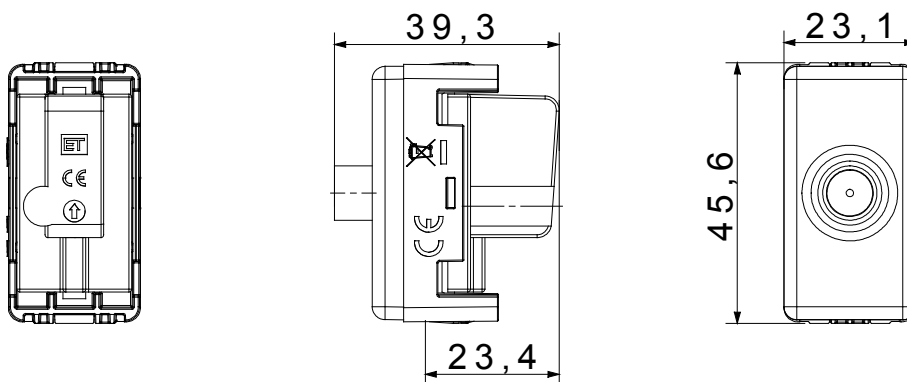




The System modular devices make it possible to create infinite combination between devices and plates, thanks to a complete range that is able to satisfy all design, functional and installation requirements. Colour and finiture: glossy white, bright and versatile
The range includes commands, socket- outlets, protection, indicators, connectors and devices for the control, safety and comfort of your home.

Category	TV/SAT socket-outlet	Description	Direct
Type	With passage of current	Colour	White
Attenuation	0 dB	Frequency	5-2400 MHz
Shielding	Class A	For connector type	F-Female
Standard	EN 60728-4; IEC 61169-24	No. SYSTEM modules	1
Cable fixing	With screw	Case	Pressure casting zamak metal body
Material	Technopolymer	Electrocod	0131

DIMENSIONAL



STANDARDS/APPROVALS

