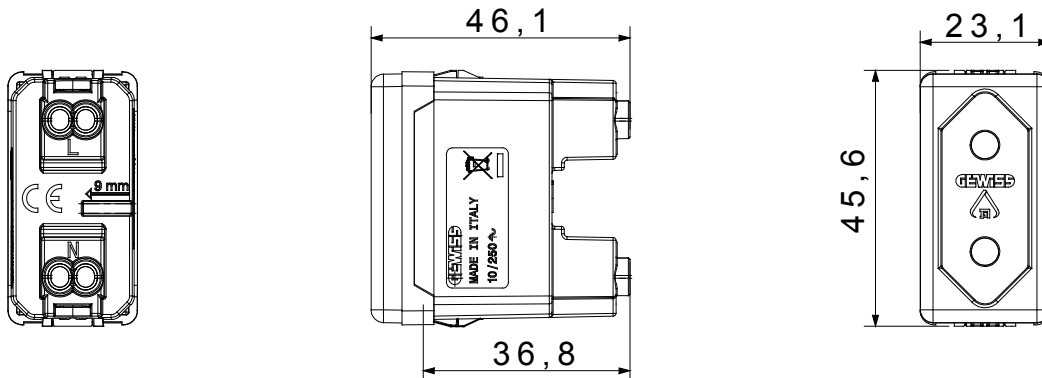




The System modular devices make it possible to create infinite combination between devices and plates, thanks to a complete range that is able to satisfy all design, functional and installation requirements. Colour and finiture: glossy white, bright and versatile
Ideal for flush-mounting solutions (for rectangular or square boxes), surface-mounting solutions, and for special applications. The range includes commands, socket- outlets, protection, indicators, connectors and devices for the control, safety and comfort of your home.

Category		Power	Description	2P - 10 A
Colour		White	Earth pit	-
Standard		Israeli	Characteristics	With safety shields
For plug pins		Round Ø 4 mm	Wiring terminals	With screw
Standard		IEC 60884-1; SI 32 part 1.1	Resistance at test voltage	2000 V at 50 Hz for 1 minute
Prolonged operation switch (no.of position changes)	10.000 at In 250 V ac cosφ=0,8		Thermo-pressure with ball	125 °C
Glow Wire Test		850 °C	Terminal grip on cable traction	> 50 N
Terminal tightening capacity stranded cables (mm ²)	min. 0,75 - max. 2x4		Terminal tightening capacity solid cables (mm ²)	min. 0,5 - max. 2x2,5
No. SYSTEM modules		1	Material	Technopolymer
Electrocod		0131		

DIMENSIONAL



TECHNICAL SYMBOLOGY



STANDARDS/APPROVALS

