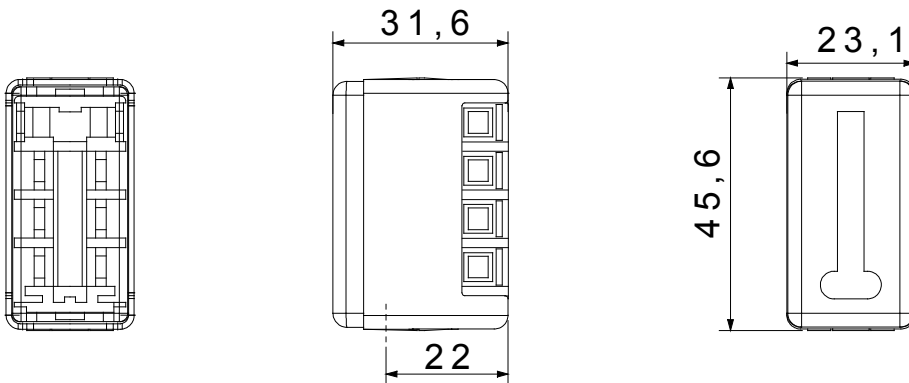




The System modular devices make it possible to create infinite combination between devices and plates, thanks to a complete range that is able to satisfy all design, functional and installation requirements. Colour and finiture: glossy white, bright and versatile
The range includes commands, socket- outlets, protection, indicators, connectors and devices for the control, safety and comfort of your home.

Category	Data and audio/video sockets	Description	French 8 contacts
Colour	White	Standard	French
Cables type	-	Connection	Screw-on terminals
No. SYSTEM modules	1	Material	Technopolymer
Electrocod	3722		

DIMENSIONAL



STANDARDS/APPROVALS

