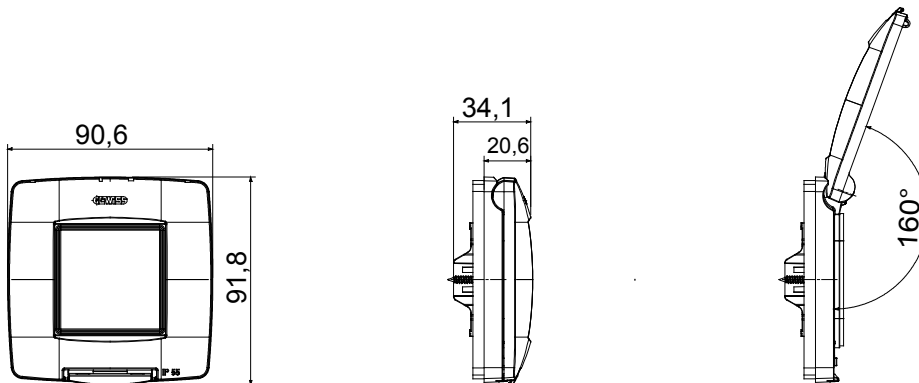




Watertight plates IP55 ChoruSmart range for round/square (axes distance 60mm) and rectangular (3 and 4 modules) flush mounting boxes. Watertight plates equipped with support and long screws, for the installation of Chorusmart range devices. Ergonomic membrane, maximum opening angle lid 160° facilitated by a comfortable handle. IP55 degree guaranteed with closed lid and watertight plate mounted on smooth and waterproof walls, without grooves

Category	ChoruSmart series	Type	International standard plates
Group	Watertight plates	Description	2 modules
Colour Plate	White	Finishing	Glossy
Material	Technopolymer	IP degree	IP55 (with closed lid)
Lid	With membrane	Membrane color	Transparent
For flush mounting box	Round/square (axes distance 60mm)	Fixing	2 screws (included)
Type of screw	Self-tapping 3,2 x 22mm	Screw material	Stainless steel
Included support	GW16822	Gasket	Vulcanized expanded rubber
Glow Wire Test	650 °C	Thermo-pressure with ball	70 °C
Standard	EN 60669-1	Operating temperature	-25 +60 °C
UV resistance	Yes (ISO 4892-2)	Maximum opening angle lid	160°
Electrocod	0110		

### DIMENSIONAL



### TECHNICAL SYMBOLOGY

IP

GWT



IP55 (with closed lid)

650 °C

70 °C

### STANDARDS/APPROVALS

UK  
CA CE