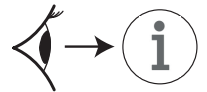


## GWP20031 - DALI GWP20032 - DMX



**IP66**



V	I	Uout
220-400V 50/60 Hz	Max 1,2 A	Max 600 V <sup>---</sup>

**GWP20031 - DALI**  
**GWP20032 - DMX**

**Kg** 6,1 kg

### GWP20031 - DALI

PINOUT		
Number	Label	
1	L1	AC L1 IN
2	L2	AC L2 IN
3	⊕	PE
4	DA	DALI 1
5	DA	DALI 1
6	DA	DALI 2
7	DA	DALI 2
8	⊕	PE
9	NTC	NTC
10	+1	LED1+
11	-1	LED1-
12	+2	LED2+
13	-2	LED2-
14	+3	LED3+
15	-3	LED3-

220-400V  
50/60Hz

↔

DALI

→

### GWP20032 - DMX

DMX address default: 1

PINOUT		
Number	Label	
1	L1	AC L1 IN
2	L2	AC L2 IN
3	⊕	PE
4	A	DMX A input/relaunch
5	A	DMX A input/relaunch
6	B	DMX B input/relaunch
7	B	DMX B input/relaunch
8	S	DMX shield
9	S	DMX shield
10	⊕	PE
11	NTC	NTC
12	+1	LED1+
13	-1	LED1-
14	+2	LED2+
15	-2	LED2-
16	+3	LED3+
17	-3	LED3-

220-400V  
50/60Hz

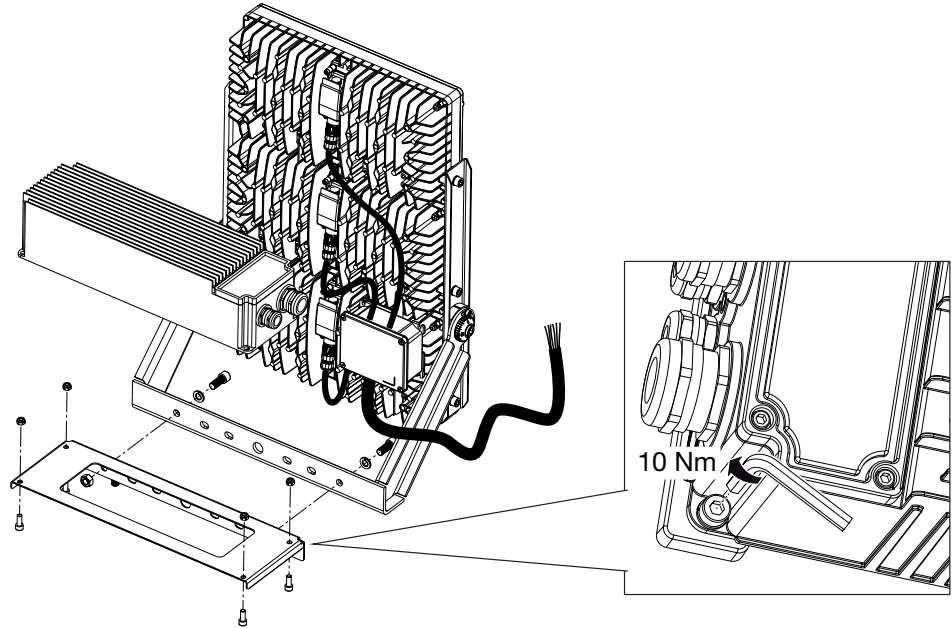
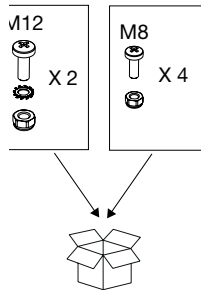
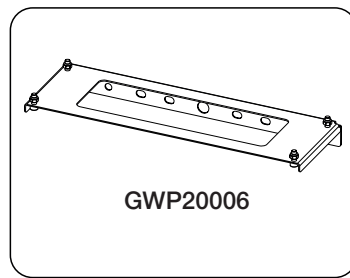
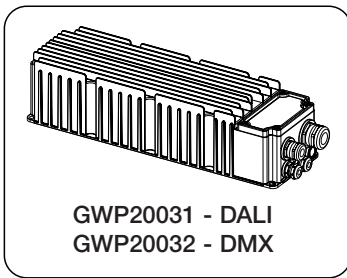
↔

DMX

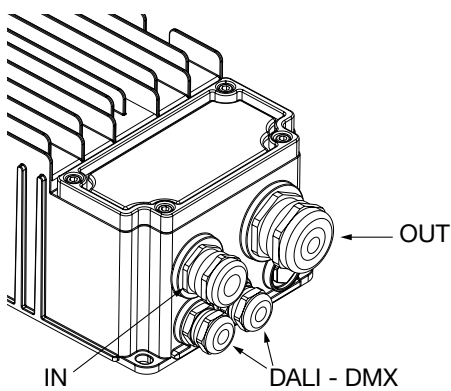
→



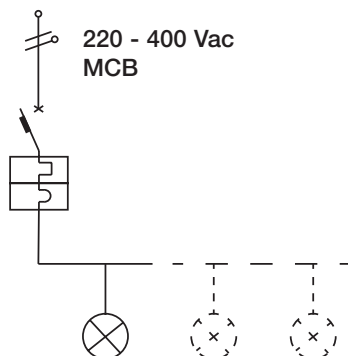
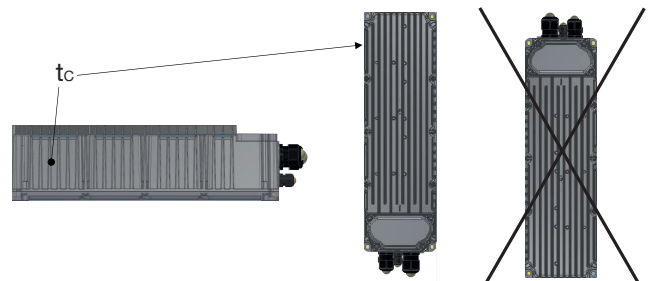
**ta +50°C**



**ta +50°C**



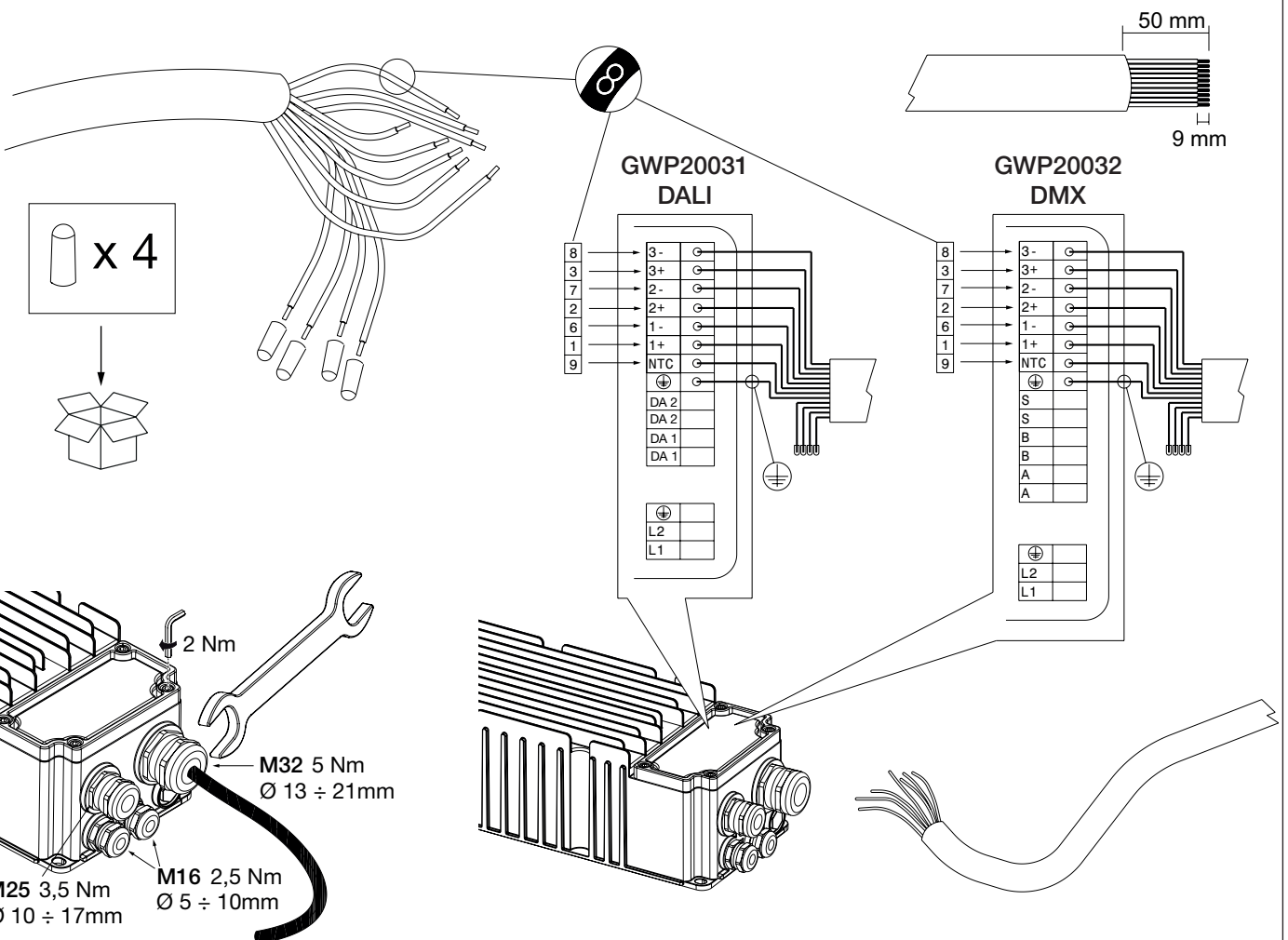
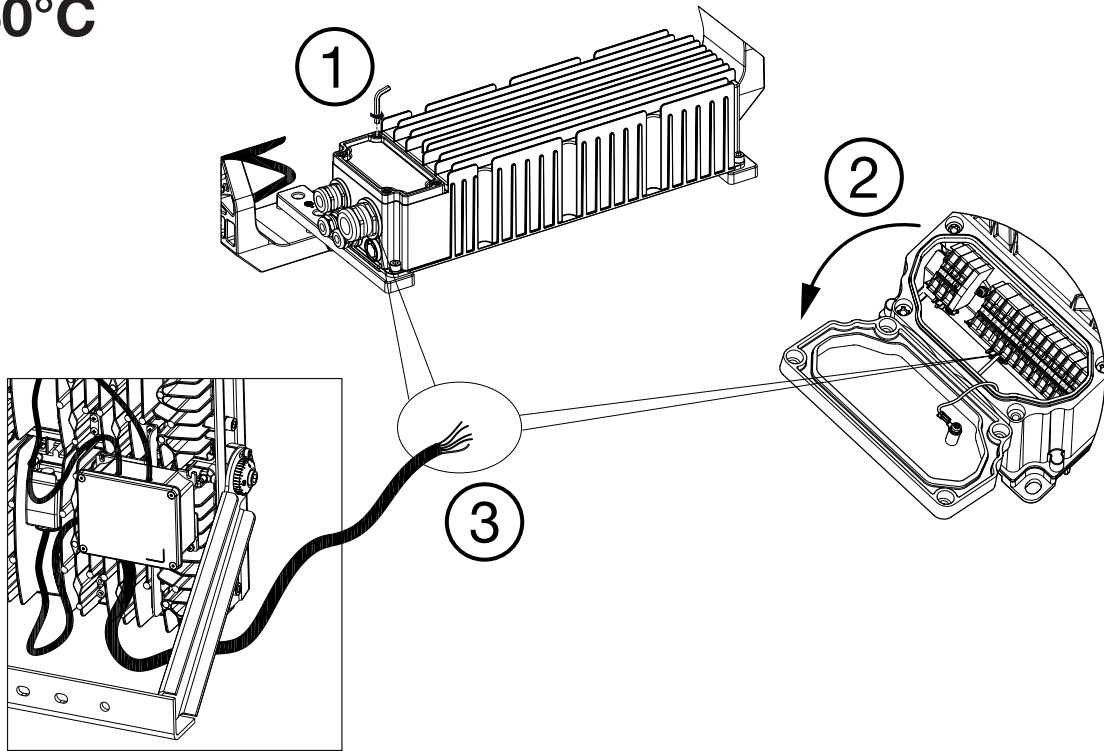
Vin	tc max
230 Vac	75°C
400 Vac	62°C



Max Nr. SMART PRO 3x2				
MCB current	10A	16A	20A	25A
Type B	0	1	1	1
Type C	1	1	2	2
Type D	1	1	2	2

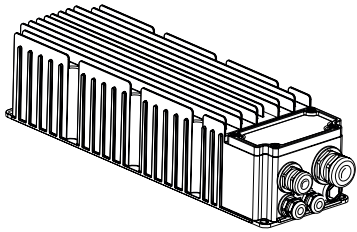


ta +50°C

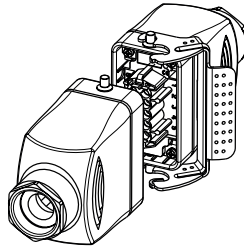




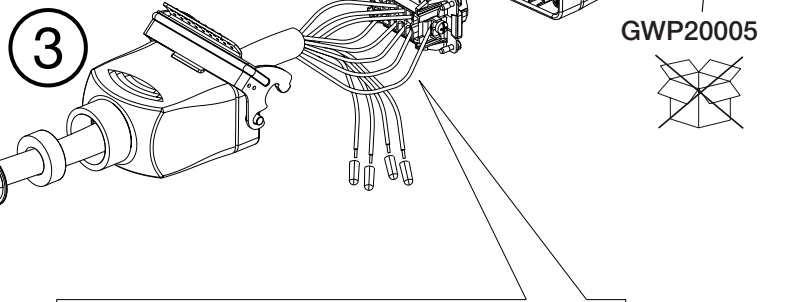
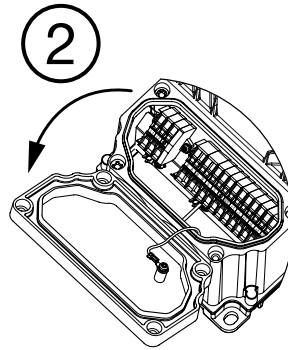
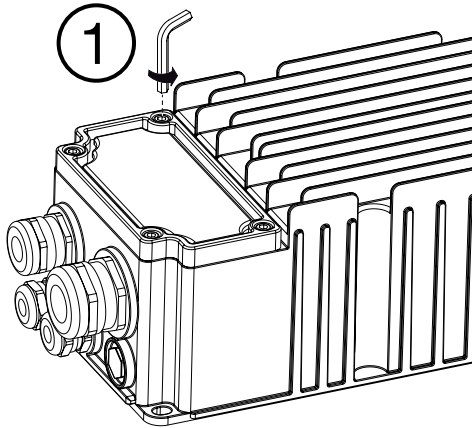
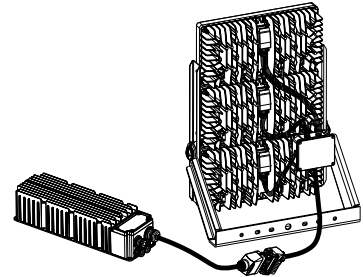
**t<sub>a</sub> +40°C**



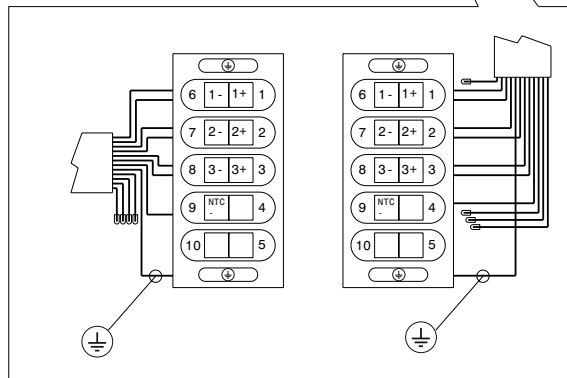
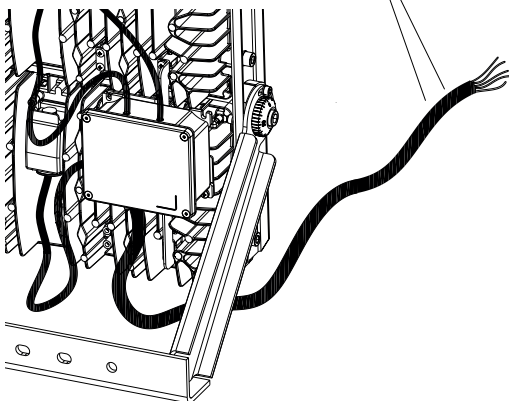
GWP20031 - DALI  
GWP20032 - DMX



GWP20004



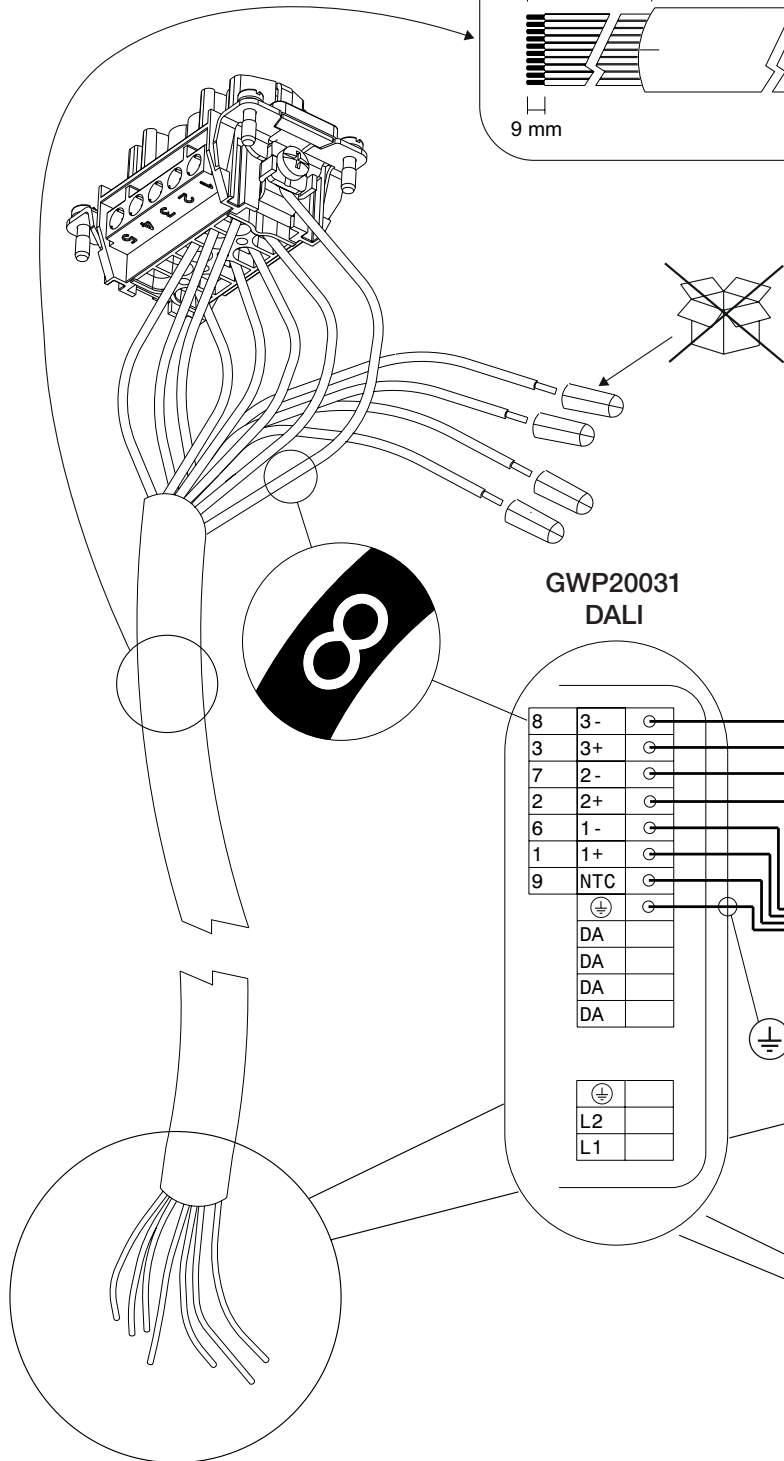
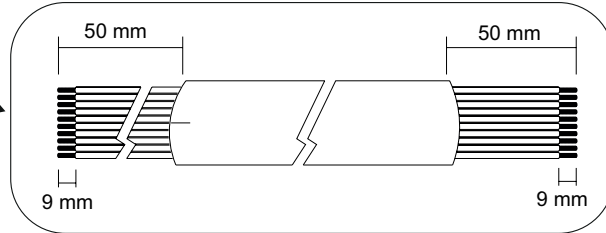
GWP20005





**ta +40°C**

H07RN-F 12x1,5 (Max 50 m)



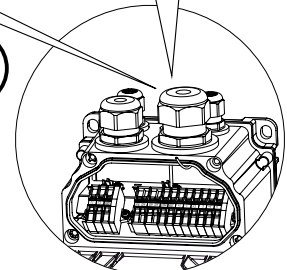
**GWP20031  
DALI**

8	3-	G
3	3+	G
7	2-	G
2	2+	G
6	1-	G
1	1+	G
9	NTC	G
	⊕	G
	DA	
	DA	
	DA	
	DA	
	⊕	
	L2	
	L1	

**GWP20032  
DMX**

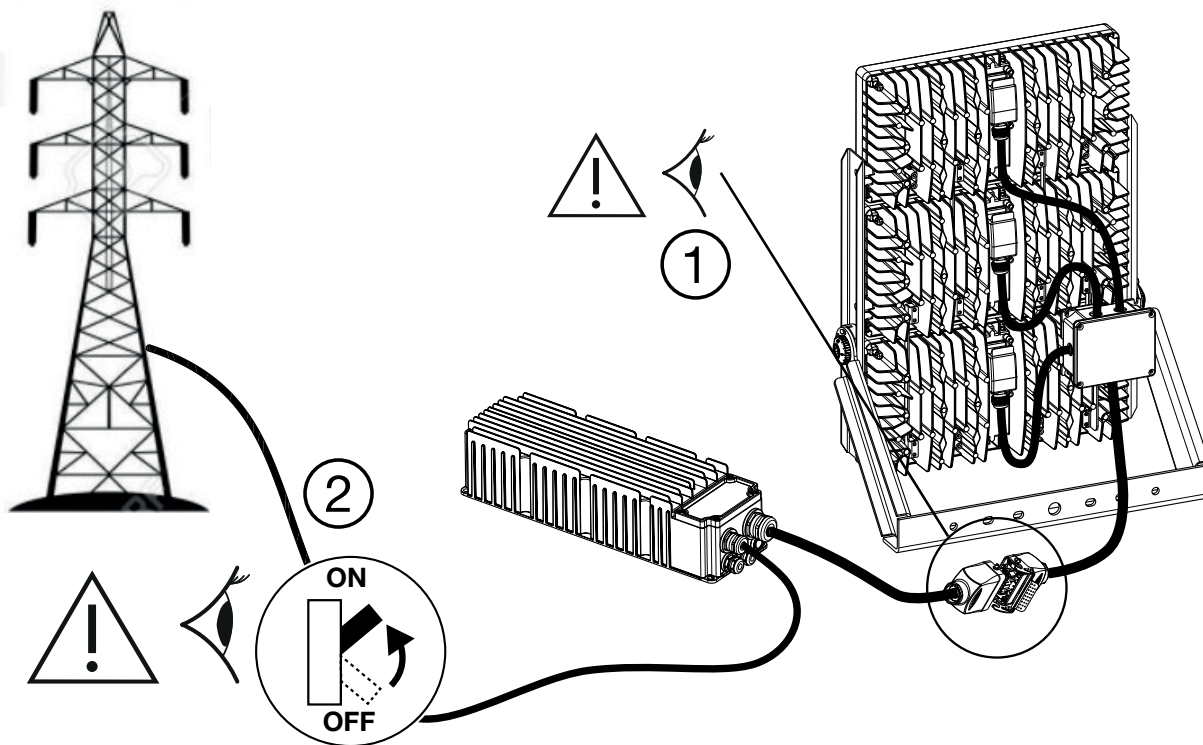
8	3-	G
3	3+	G
7	2-	G
2	2+	G
6	1-	G
1	1+	G
9	NTC	G
	⊕	G
	S	
	S	
	B	
	B	
	A	
	A	
	⊕	
	L2	
	L1	

**4**

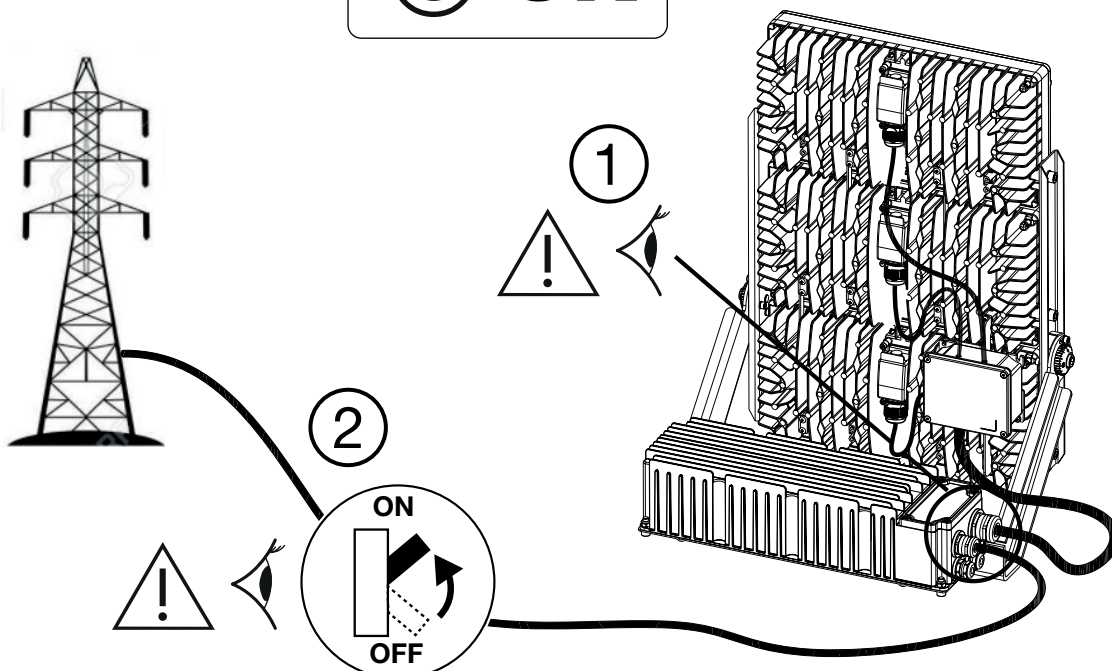


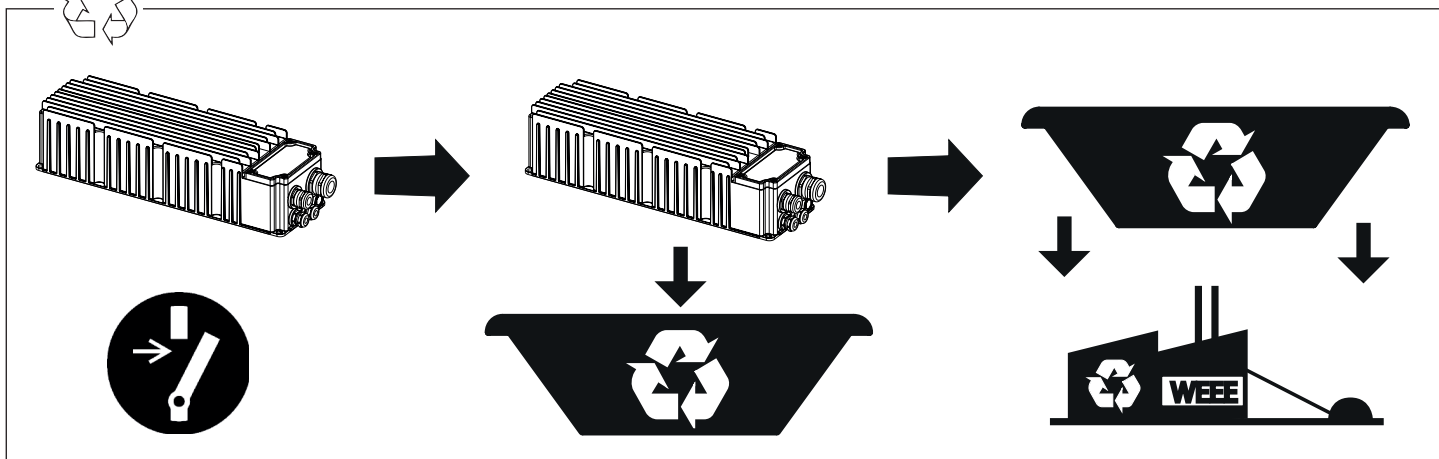
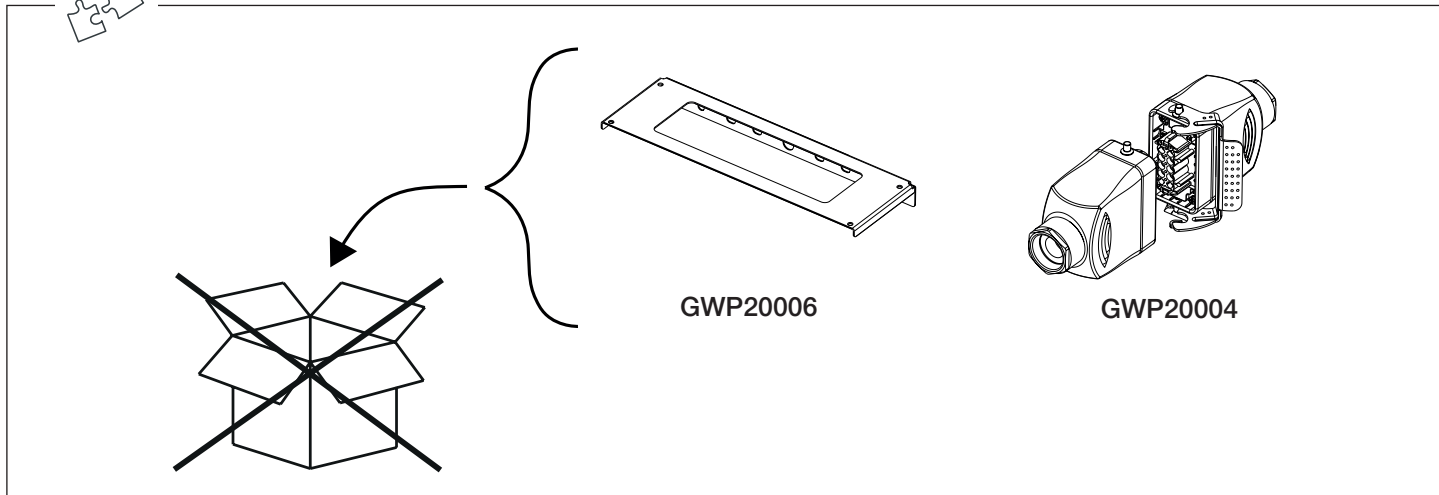


ta +40°C



ta +50°C





Punto di contatto indicato in adempimento ai fini delle direttive e regolamenti UE applicabili:  
*Contact details according to the relevant European Directives and Regulations:*  
GEWISS S.p.A. Via D.Bosatelli, 1 IT-24069 Cenate Sotto (BG) Italy tel: +39 035 946 111 E-mail: [qualitymarks@gewiss.com](mailto:qualitymarks@gewiss.com)

According to applicable UK regulations, the company responsible for placing the goods in UK market is:  
**GEWISS UK LTD - Unity House, Compass Point Business Park, 9 Stocks Bridge Way, ST IVES**  
Cambridgeshire, PE27 5JL, United Kingdom tel: +44 1954 712757 E-mail: [gewiss-uk@gewiss.com](mailto:gewiss-uk@gewiss.com)



**+39 035 946 111**  
8:30 - 12:30 / 14:00 - 18:00  
lunedì - venerdì / monday - friday



[www.gewiss.com](http://www.gewiss.com)

