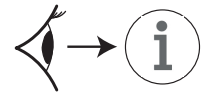


**GWP2910 - DALI**  
**GWP2911 - DMX**



**IP66**

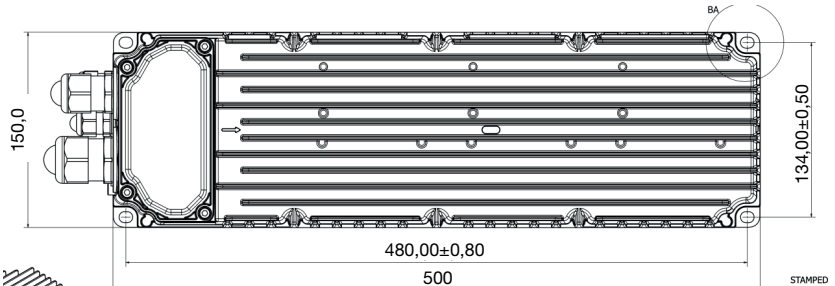
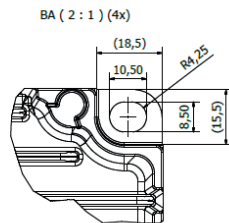
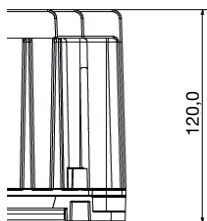


$V_{in}$	$I_{out}$	$U_{out}$
220-400V 50/60 Hz	Max 0,7A	Max 600V <sup>---</sup>

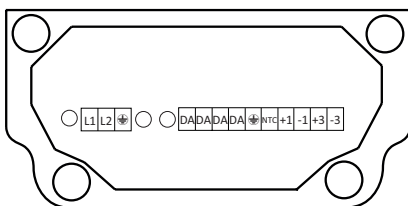


**GWP2910 - DALI**  
**GWP2911 - DMX**

**Kg** 5,4 kg

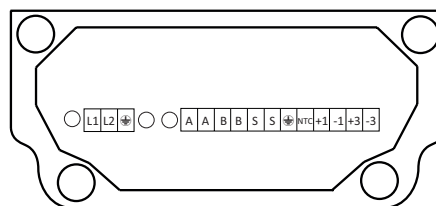


**GWP2910 - DALI**



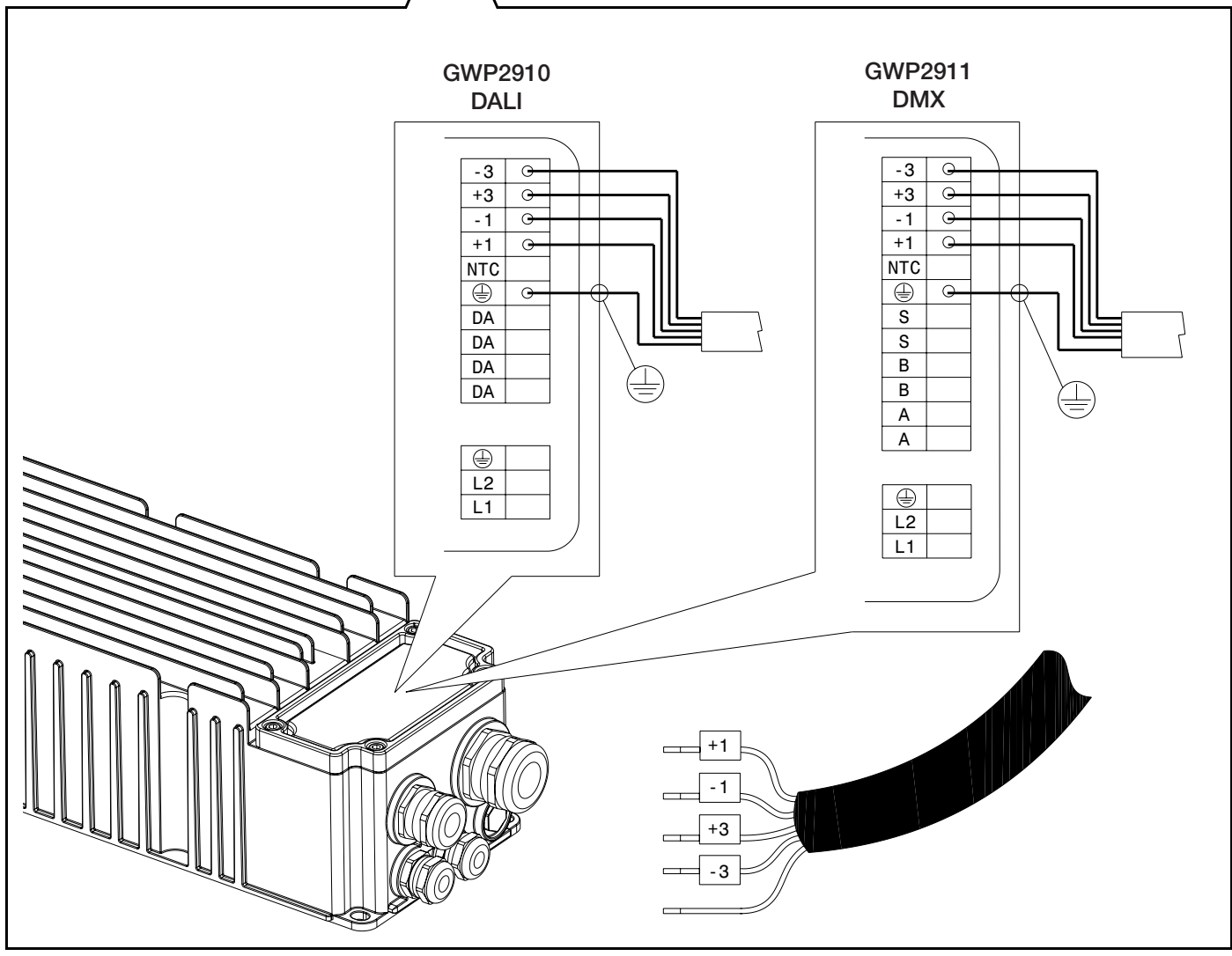
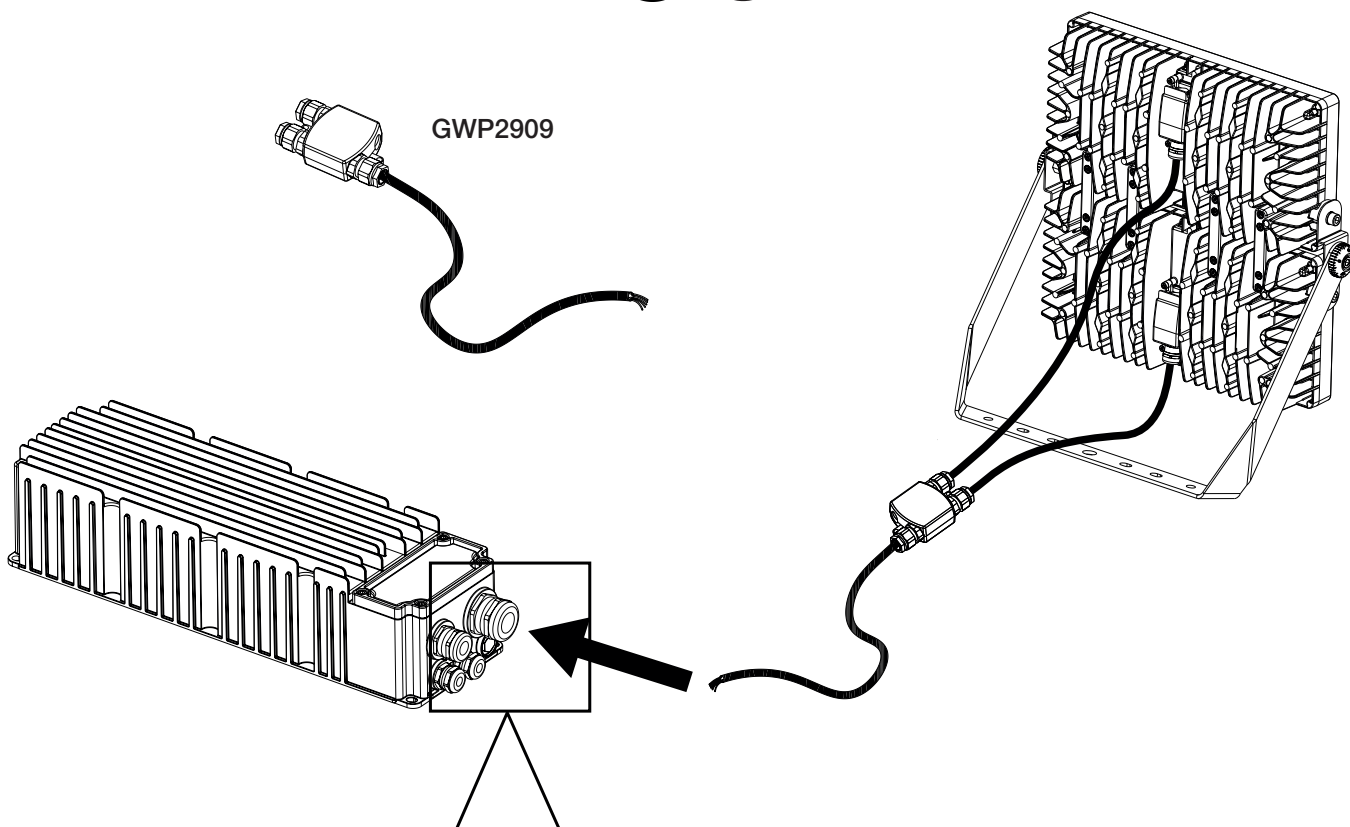
PINOUT	
Label	
L1	AC L1 IN
L2	AC L2 IN
	PE
DA	DALI IN
DA	DALI relaunch
DA	DALI IN
DA	DALI relaunch
	PE LED MODULE
NTC	NTC
+1	LED1+
-1	LED1-
+3	LED3+
-3	LED3-

**GWP2911 - DMX**



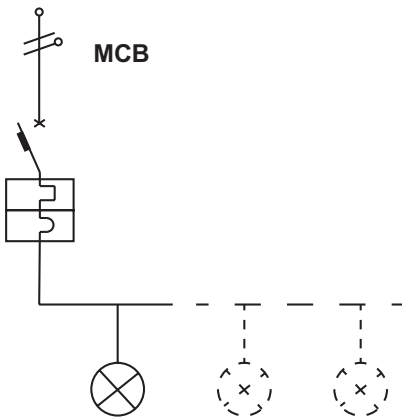
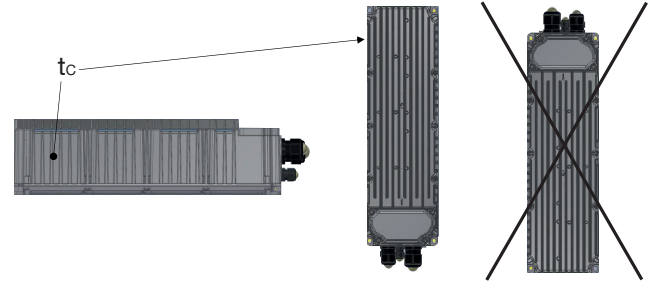
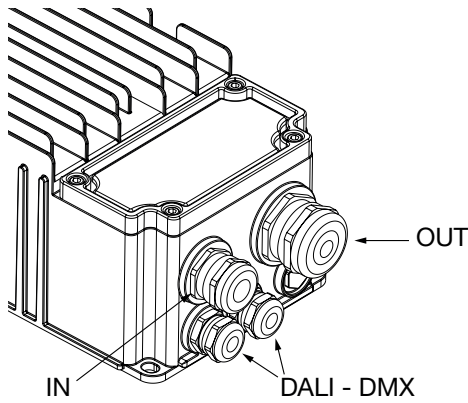
PINOUT	
Label	
L1	AC L1 IN
L2	AC L2 IN
	PE
A	DMX A INPUT DATA +
A	DMX A RE-LAUNCH DATA +
B	DMX B INPUT DATA -
B	DMX B RE-LAUNCH DATA -
S	DMX shield
S	DMX shield
	PE LED MODULE
NTC	NTC
+1	LED1+
-1	LED1-
+3	LED3+
-3	LED3-







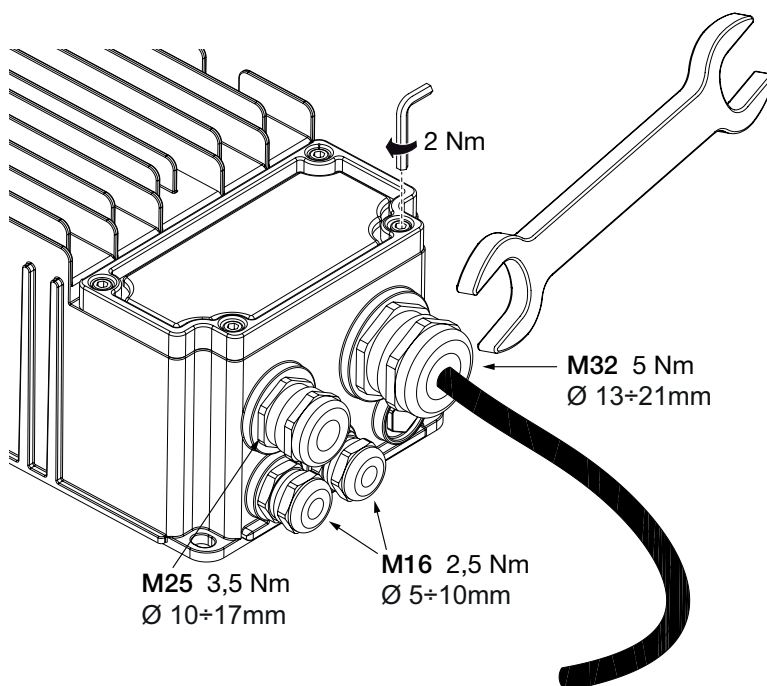
Vin	tc max
230 Vac	75°C
400 Vac	62°C

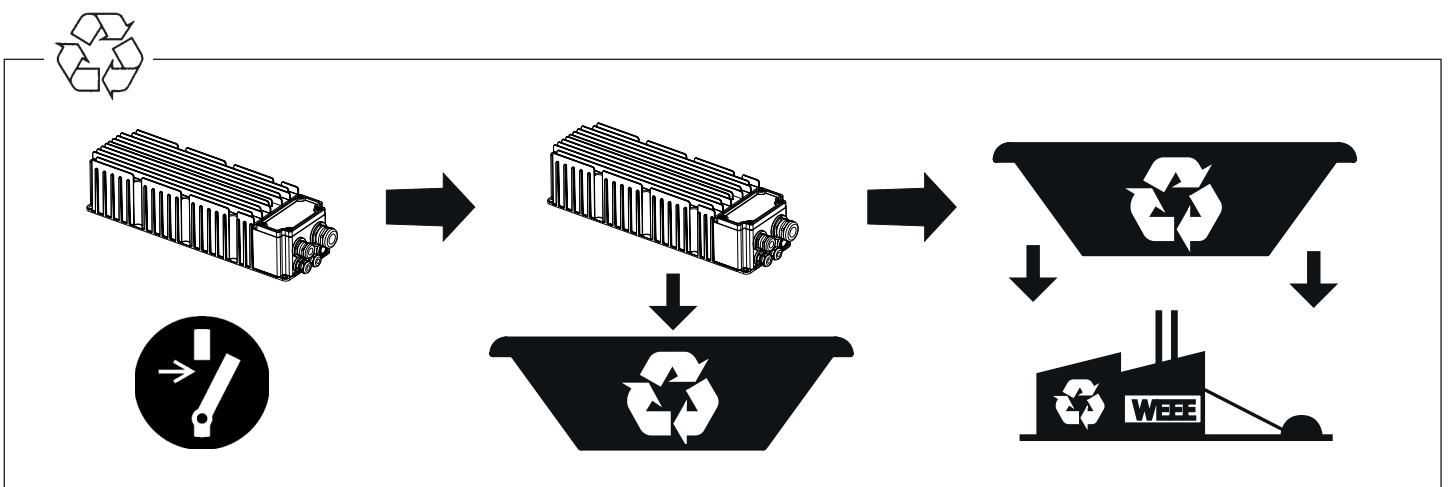
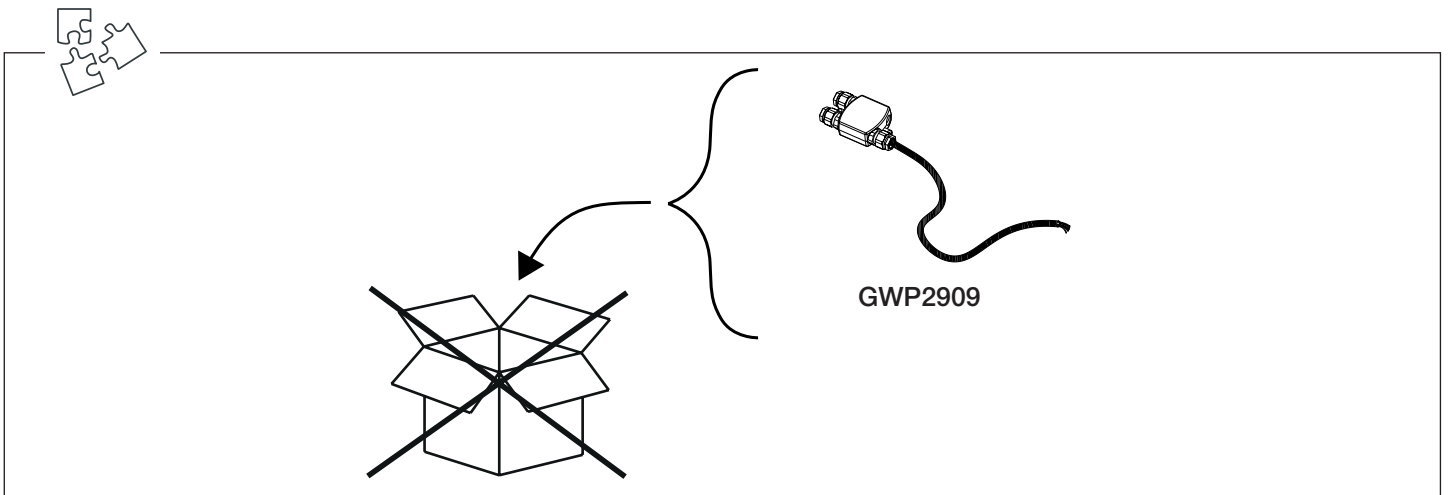
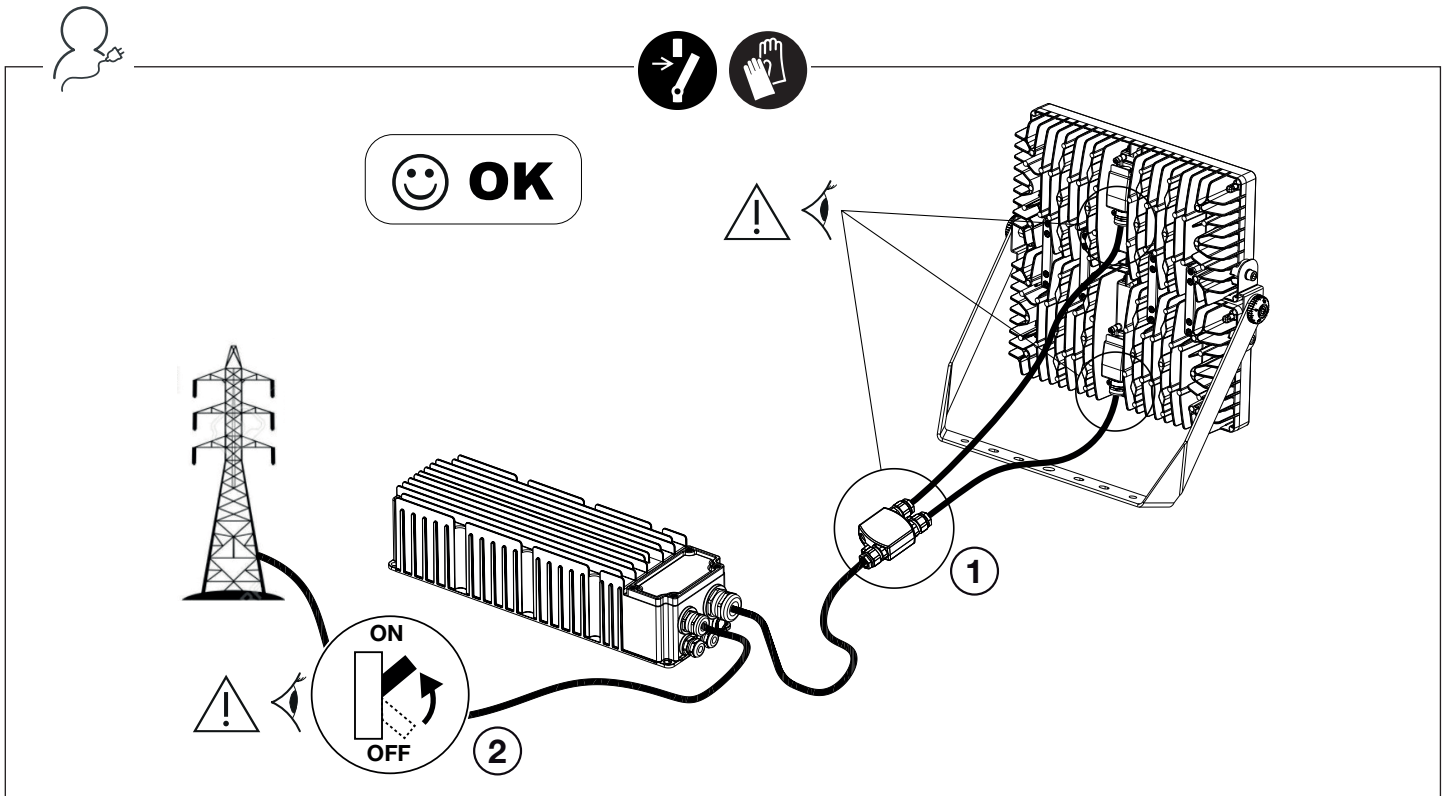


Inrush Current		
Vin	Ipeak	Half Value Time
230 Vac	30 A	2 ms
400 Vac	50 A	2 ms

Max Nr. SMART PRO 2+2M - 230V				
MCB:	10A	16A	20A	25A
Type B	1	2	3	3
Type C	1	2	3	3
Type D	1	2	3	3

Max Nr. SMART PRO 2+2M - 400 V				
MCB:	10A	16A	20A	25A
Type B	0	1	1	2
Type C	1	1	2	3
Type D	2	3	4	5





Punto di contatto indicato in adempimento ai fini delle direttive e regolamenti UE applicabili:  
 Contact details according to the relevant European Directives and Regulations:  
 GEWISS S.p.A. Via D.Bosatelli, 1 IT-24069 Cenate Sotto (BG) Italy tel: +39 035 946 111 E-mail: qualitymarks@gewiss.com

According to applicable UK regulations, the company responsible for placing the goods in UK market is:  
 GEWISS UK LTD - Unity House, Compass Point Business Park, 9 Stocks Bridge Way, ST IVES  
 Cambridgeshire, PE27 5JL, United Kingdom tel: +44 1954 712757 E-mail: gewiss-uk@gewiss.com

+39 035 946 111  
 8:30 - 12:30 / 14:00 - 18:00  
 lunedì - venerdì / monday - friday

[www.gewiss.com](http://www.gewiss.com)

