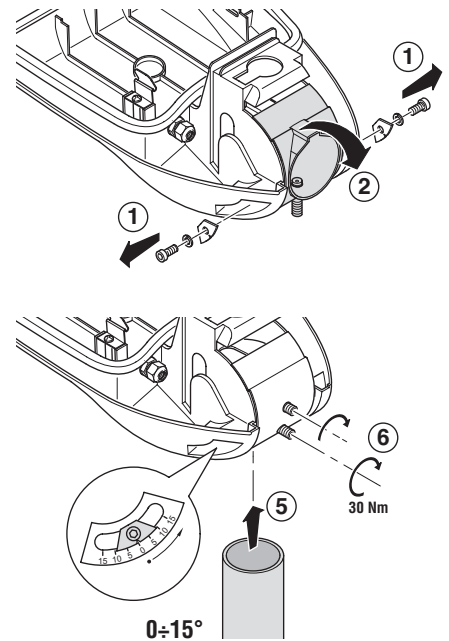
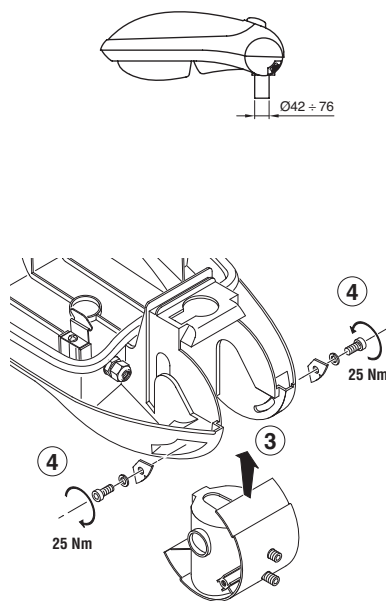
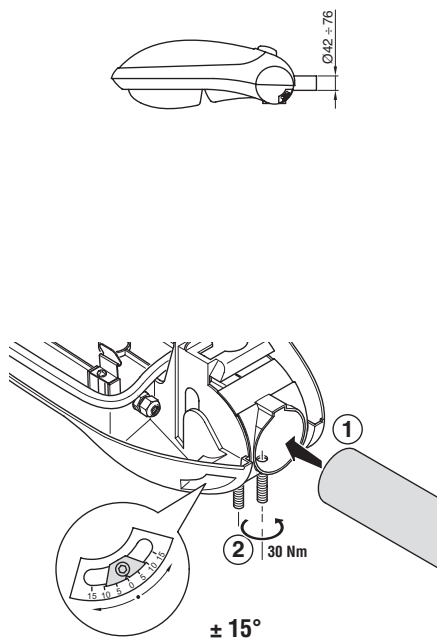
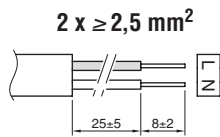
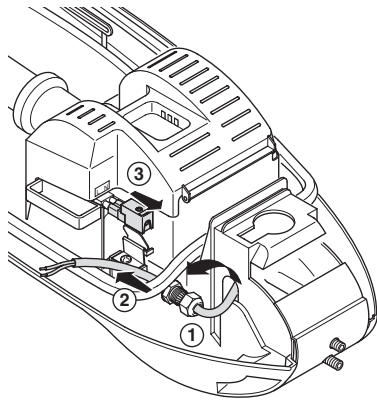
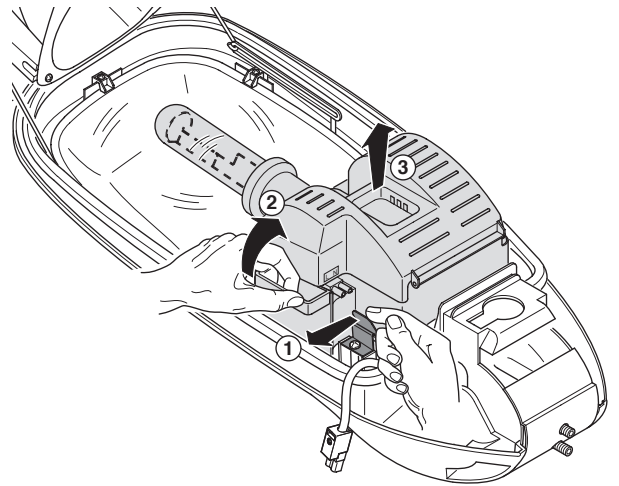
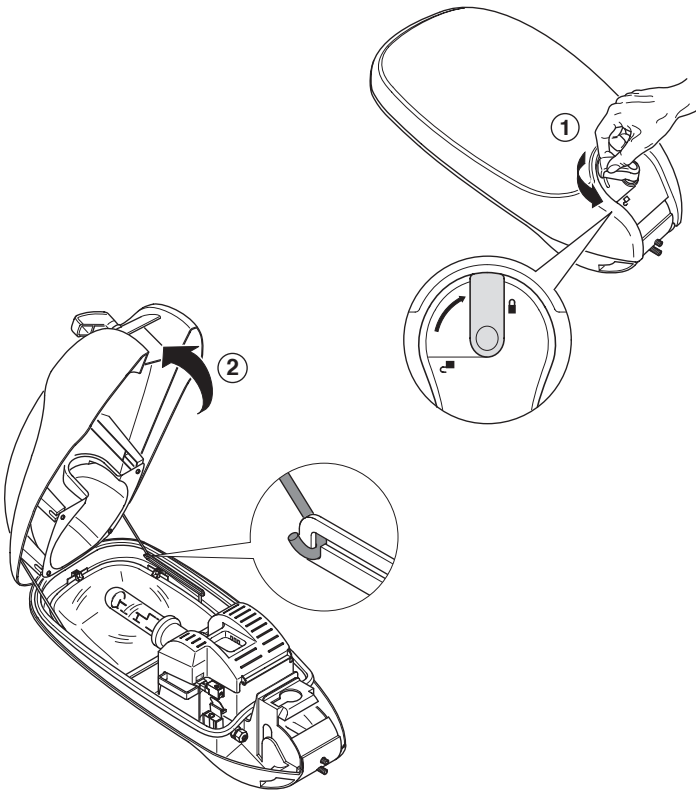


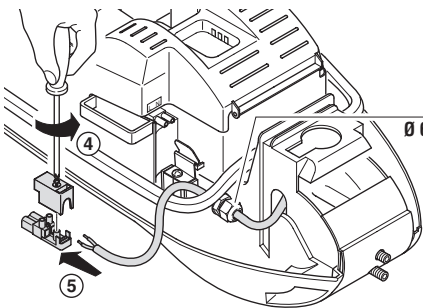
CE **IP66** □ ⚠ ⚡ 💡 $\lambda \geq 0,9$ ⌒ $\dots 1 \dots m$ $t_{min} -25^{\circ}C$ $t_a +25^{\circ}C$



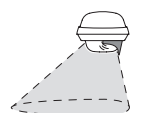
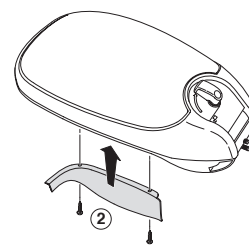
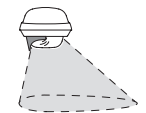
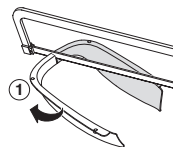
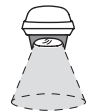
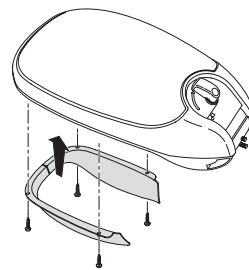
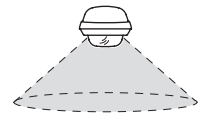
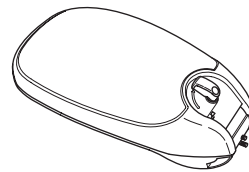
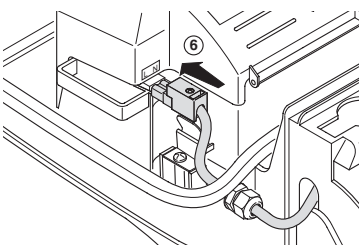
GW 87 210		20 J
GW 87 209		20 J

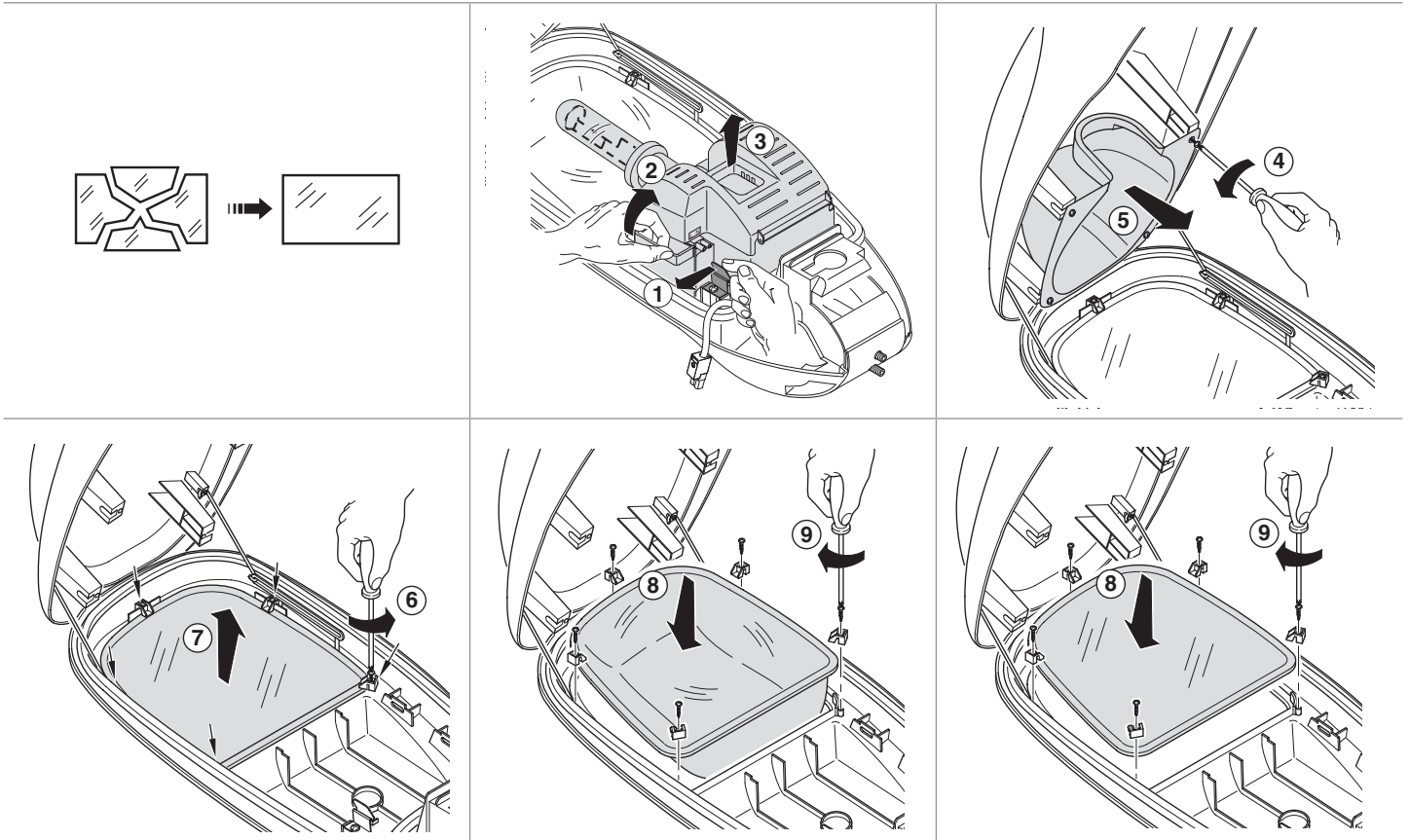


H05RN-F 2x1 mm²
H07RN-F 2x1 mm²
H07RN-F 2x1,5 mm²



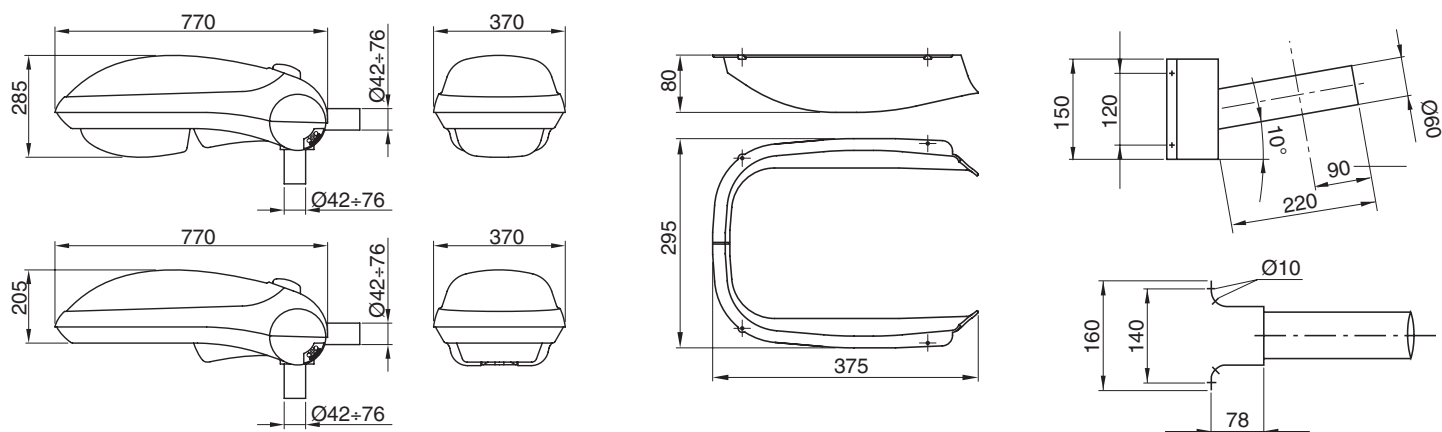
PG 13,5
 $\varnothing 6,5 \div 11,5$





⊗				
	ILCOS	OSRAM	PHILIPS	SYLVANIA
125	QE	HQL 125W	HPL-N 125	HSL-BW 125W E27
250	QE	HQL 250W	HPL-N 250	HSL-BW 250W E40
50	SE	NAV-E 50W/E	SON 50/E	SHP-S 50W E27
	ST	NAV-T 50W SUPER	SON-T PLUS 50	SHP-TS 50W CL/E
70	SE	NAV-E 70W/E	SON 70/E	SHP-S 70W E27
	ST	NAV-T 70W SUPER	SON-T PLUS 70	SHP-TS 70W CL/E
100	SE	NAV-E 100W SUPER	SON PLUS 100	SHP-S 100W E40
	ST	NAV-T 100W SUPER	SON-T PLUS 100	SHP-TS 100W E40
150	SE	NAV-E 150W	SON 150	SHP 150W E40
	ST	NAV-T 150W	SON-T 150	SHP-T 150W E40
250	ST	NAV-E 250W	SON 250	SHP 250W E40
	ST	NAV-T 250W	SON-T 250	SHP-T 250W E40
	ME	HQI-E 250W/D	-	-
	MT	HQI-T 250W/D	-	HSI-TSX 250W/4K
250	MT	HQI-T 250W/N/SI	HPI-T 250	HSI-THX 250W
	ME	HQI-E 250W/N/SI	HPI 250 BU	HSI-HX 250W
90	MT	-	MST CosmoWH CPO-TW 90Wx	-

W	⊗							
125	QE	E27	10,1	5÷8m (15m)	0,23m ²	0,14m ²	0,16m ²	-
250	QE	E40	10,6	5÷12m (15m)	0,23m ²	0,14m ²	0,16m ²	-
50	SE-ST	E27	9,9	5÷8m (15m)	0,23m ²	0,14m ²	0,16m ²	1,8 ÷ 2,3 kv
70	SE-ST	E27	10	5÷8m (15m)	0,23m ²	0,14m ²	0,16m ²	1,8 ÷ 2,3 kv
100	SE-ST	E40	10,1	5÷8m (15m)	0,23m ²	0,14m ²	0,16m ²	3,5 ÷ 4,5 kv
150	SE-ST	E40	10,8	5÷12m (15m)	0,23m ²	0,14m ²	0,16m ²	3,5 ÷ 4,5 kv
250	ME-MT/SE-ST	E40	11,6	5÷12m (15m)	0,23m ²	0,14m ²	0,16m ²	3,5 ÷ 4,5 kv
250	ME/MT	E40	10,7	5÷12m (15m)	0,23m ²	0,14m ²	0,16m ²	0,6 - 1 kv
90	MT	PGZ12	10	5÷12m (15m)	0,23m ²	0,14m ²	0,16m ²	-



cod. 7.63.9.599.5

! When provided with a metal halide lamp (MX), the luminaire should be switched off at least once a week, to avoid potential unsafe lamp failure (acc. to AS/NZS 60598-1)

Ai sensi delle Decisioni e delle Direttive Europee applicabili, si informa che il responsabile dell'immissione del prodotto sul mercato Comunitario è:
According to the applicable Decisions and European Directives, the responsible for placing the apparatus on the Community market is:

GEWISS S.p.A. Via A.Volta, 1 IT-24069 Cenate Sotto (BG) Italy Tel: +39 035 946 111 Fax: +39 035 946 270 E-mail: qualitymarks@gewiss.com



+39 035 946 111
8.30 - 12.30 / 14.00 - 18.00
lunedì ÷ venerdì - monday ÷ friday



+39 035 946 260



sat@gewiss.com
www.gewiss.com

ULTIMA REVISIONE 12/2015