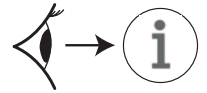


STADIUMPRO | 3

SPATIUMPRO | 3



GWP30033/GWP30034 - DALI
GWP30035/GWP30036 - 0-10V

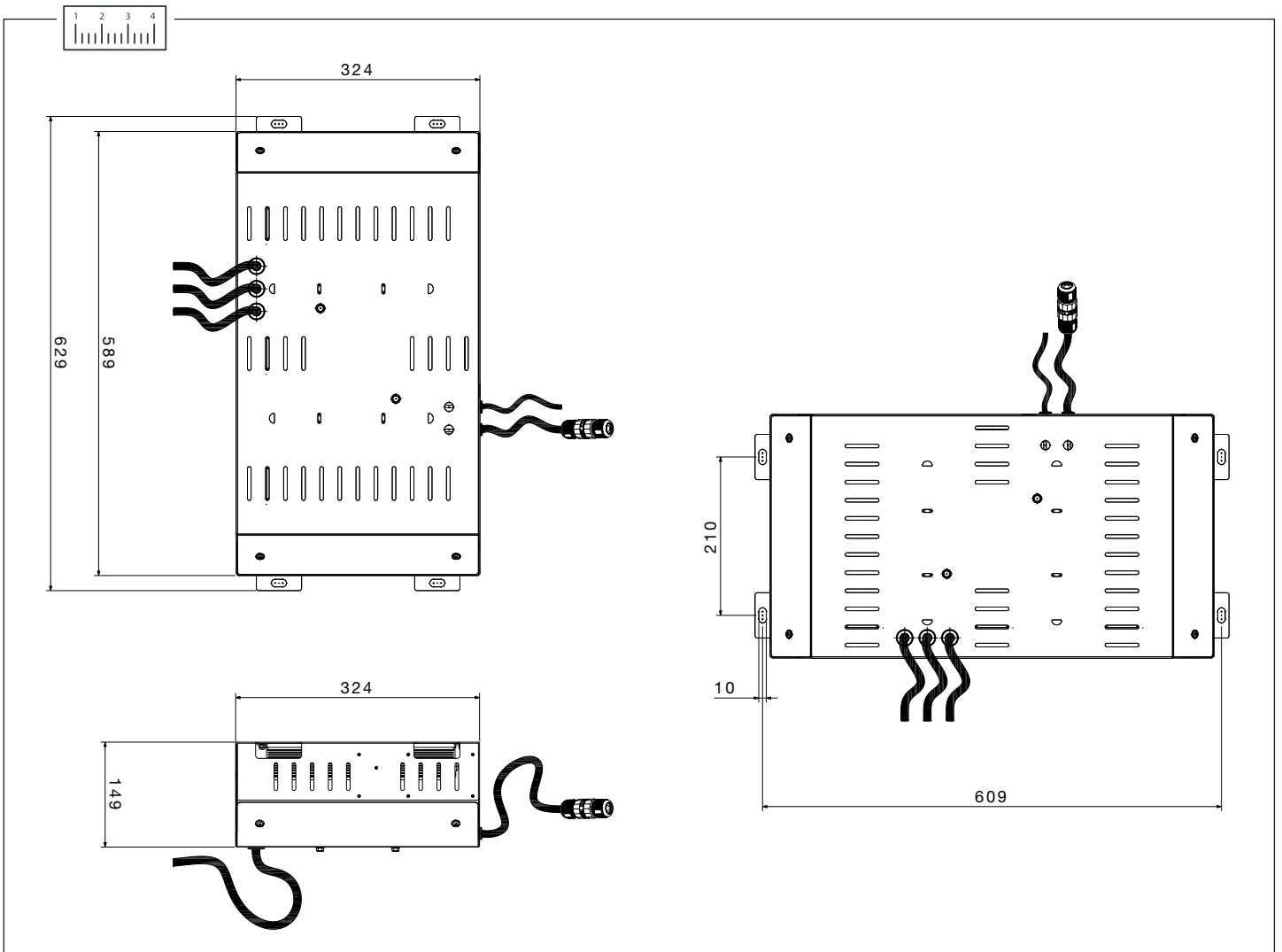


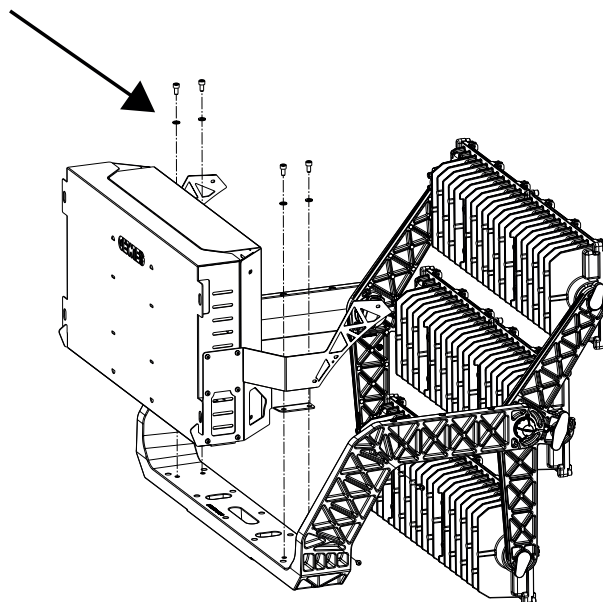
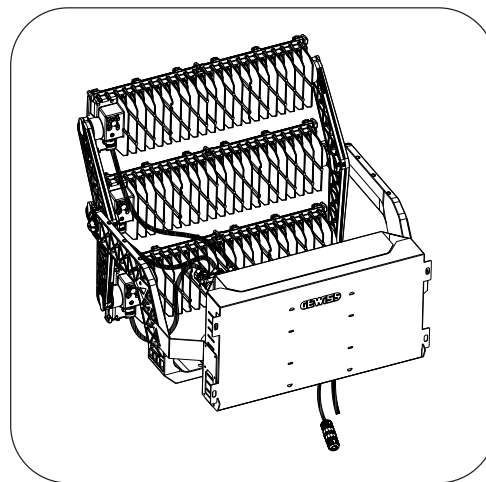
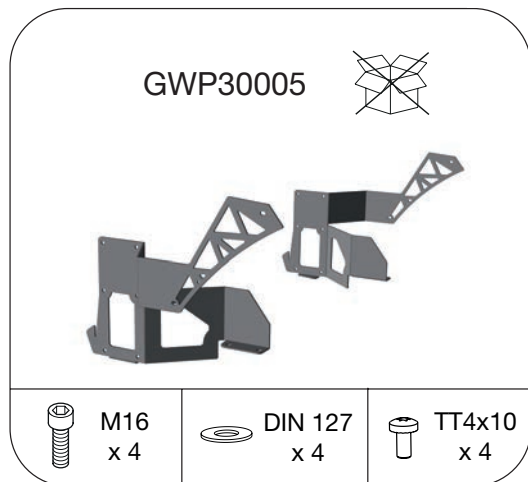
IP66



+50°C
-25°C

	⊗		V	I	Uout
STADIUMPRO 3	DALI		220-240V 50/60Hz	Max 1,2A	Max 600V $\overline{=}$
	0-10V				
SPATIUMPRO 3	DALI		220-240V 50/60Hz	Max 0,95A	Max 600V $\overline{=}$
	0-10V				



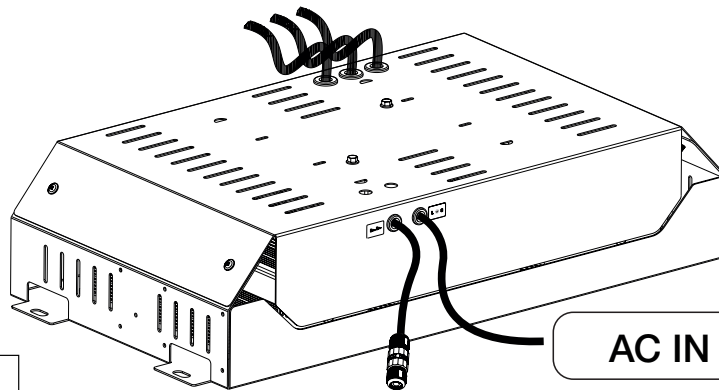


Inrush Current (peak)		
V_{in}	I_{peak}	Half Value time
220 Vac	28,6	2,4 ms

# GWP3003X for MCB - 220V				
	10A	16A	20A	25A
Type B:	0	1	1	1
Type C:	0	1	1	1
Type D:	0	1	1	2



DC OUT

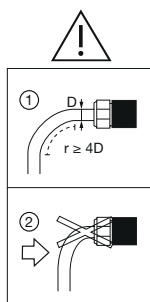


AC IN **A**

B DALI / 0-10V

220-240V 50/60Hz ↔ DIMMING →

A

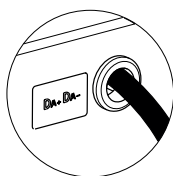


AC IN

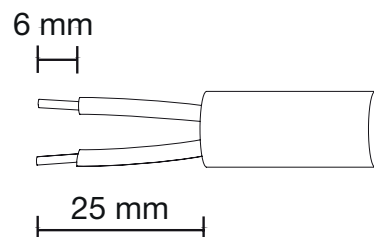
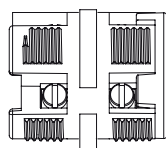
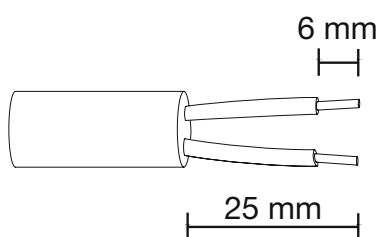
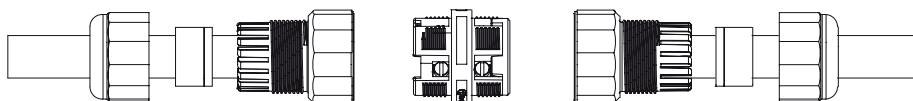


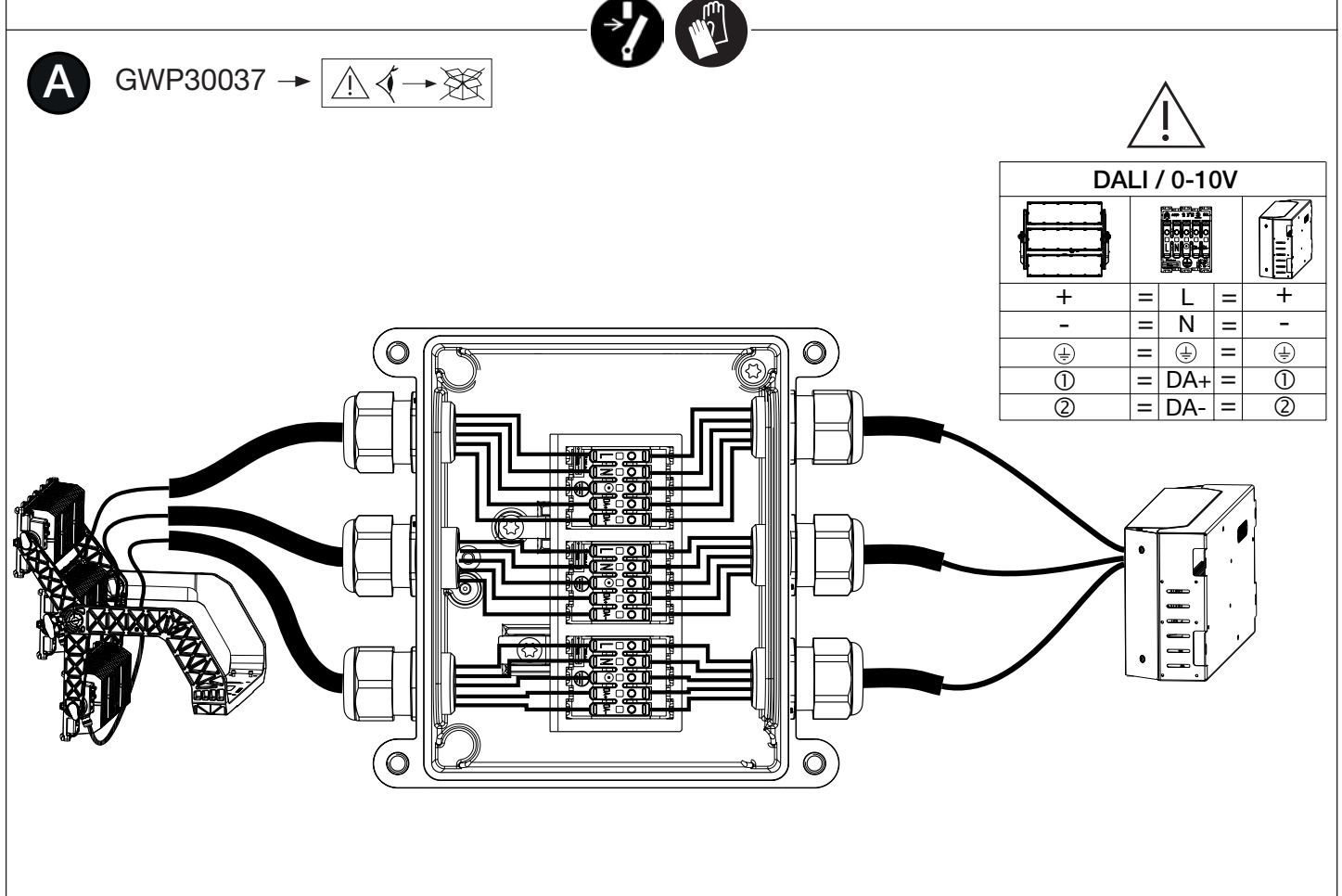
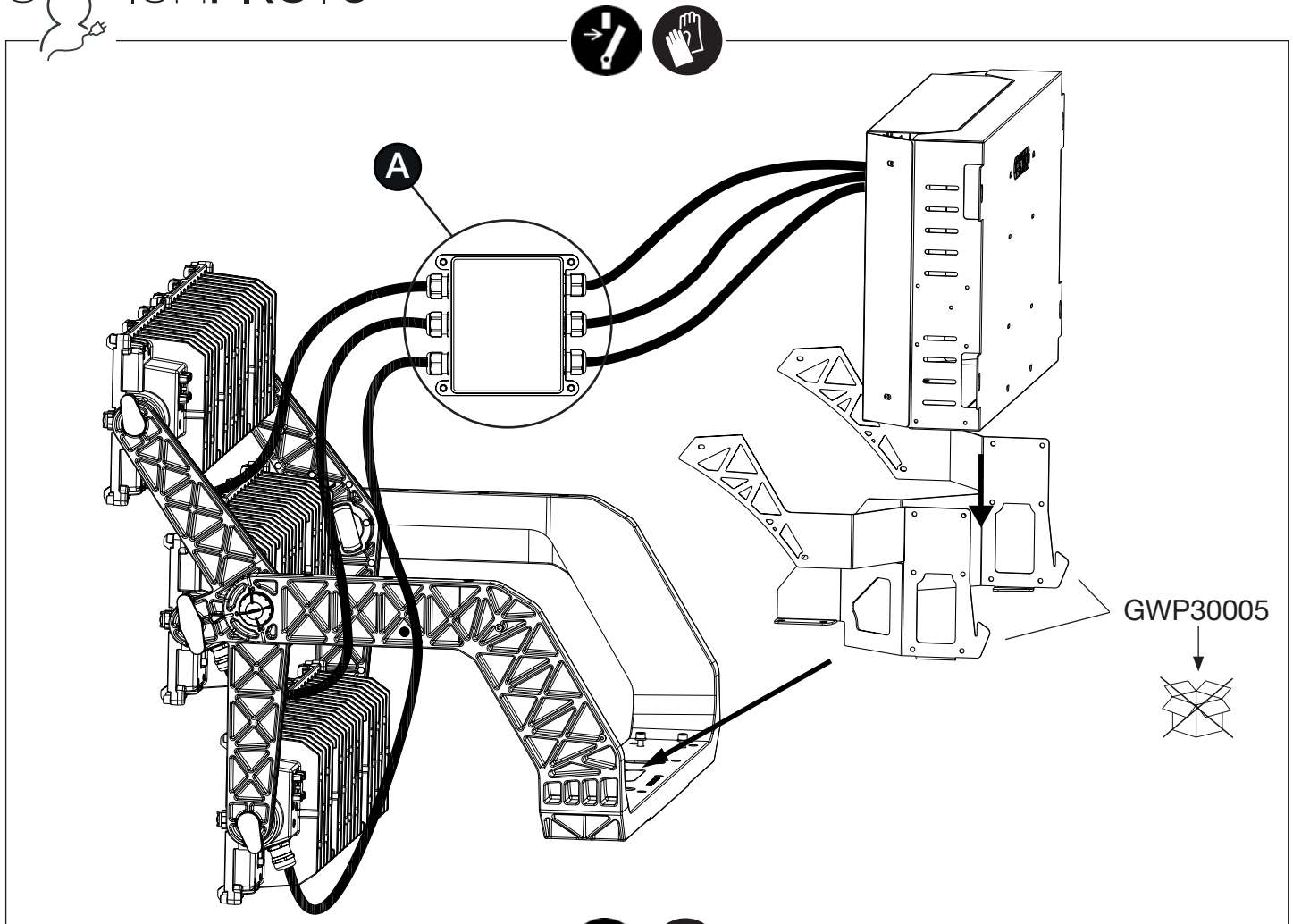
L	=	L
N	=	N
⊕	=	⊕

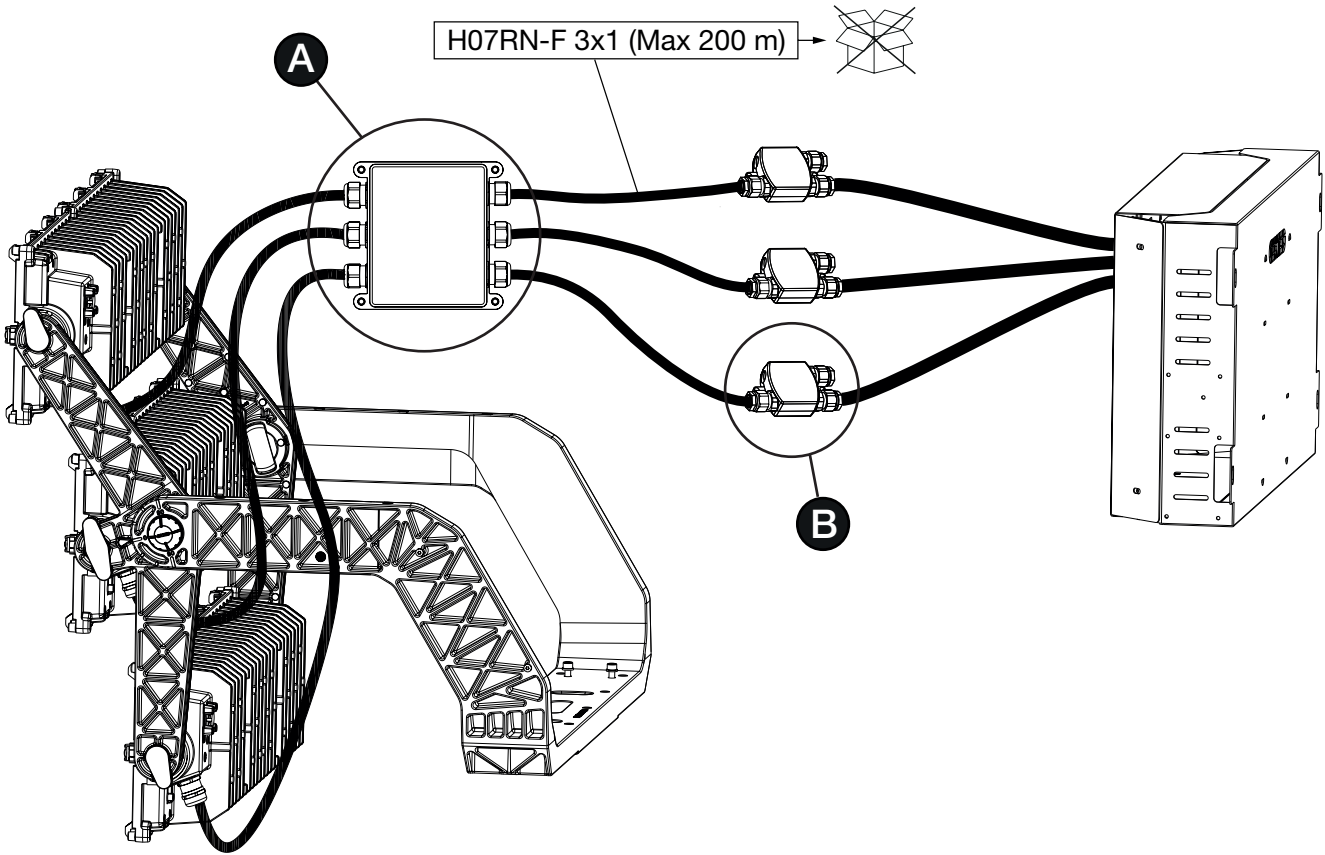
B



DALI / 0-10V		
3	=	DIM+
2	=	DIM-



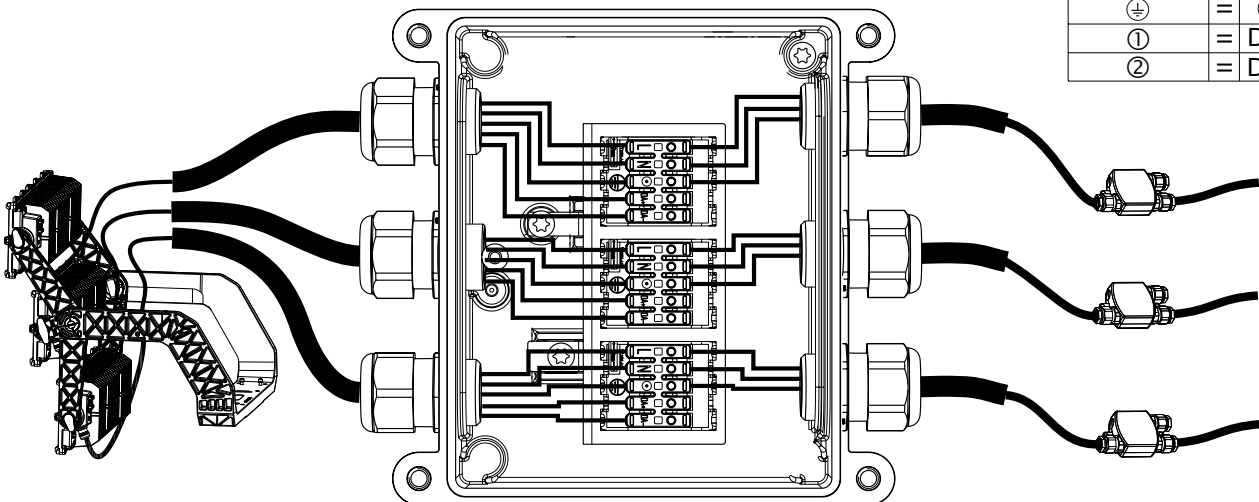




A GWP30037 →

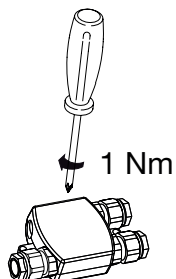


DALI / 0-10V			
+	= L	=	+
-	= N	=	-
⊕	= ⊕	=	⊕
①	= DA+	=	✗
②	= DA-	=	✗

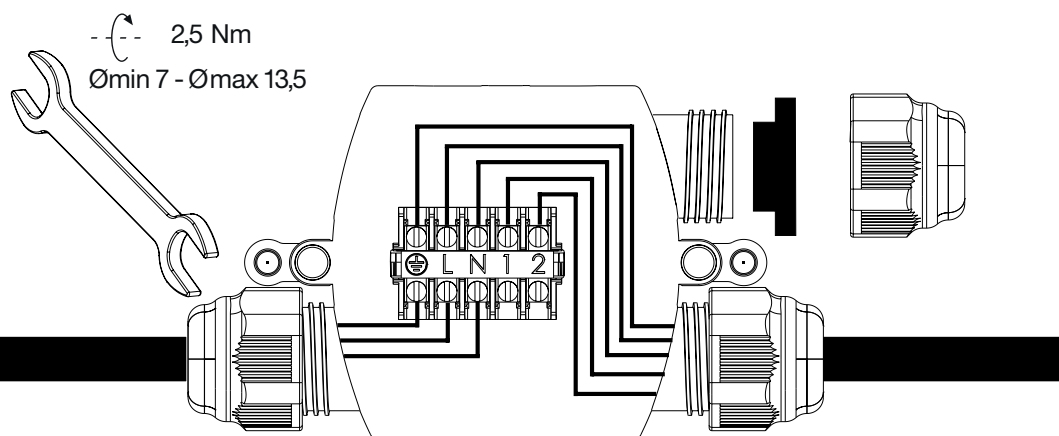


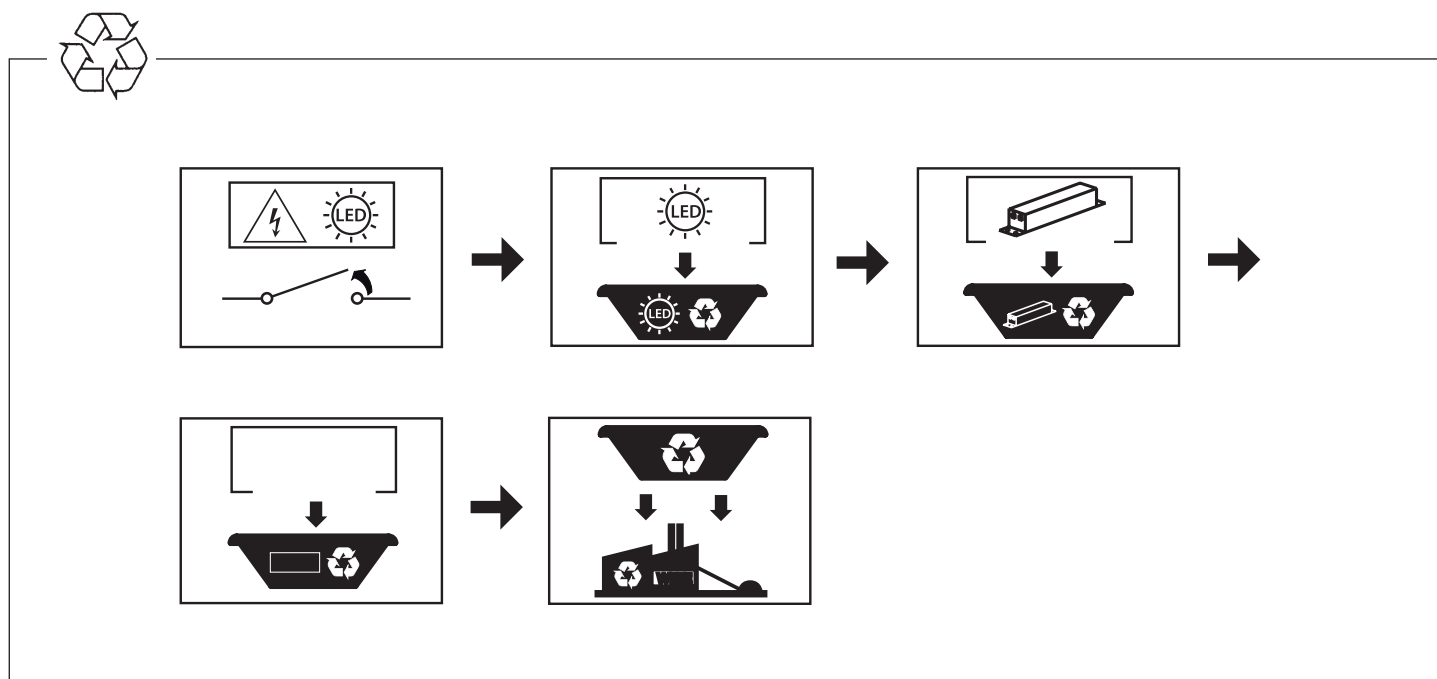
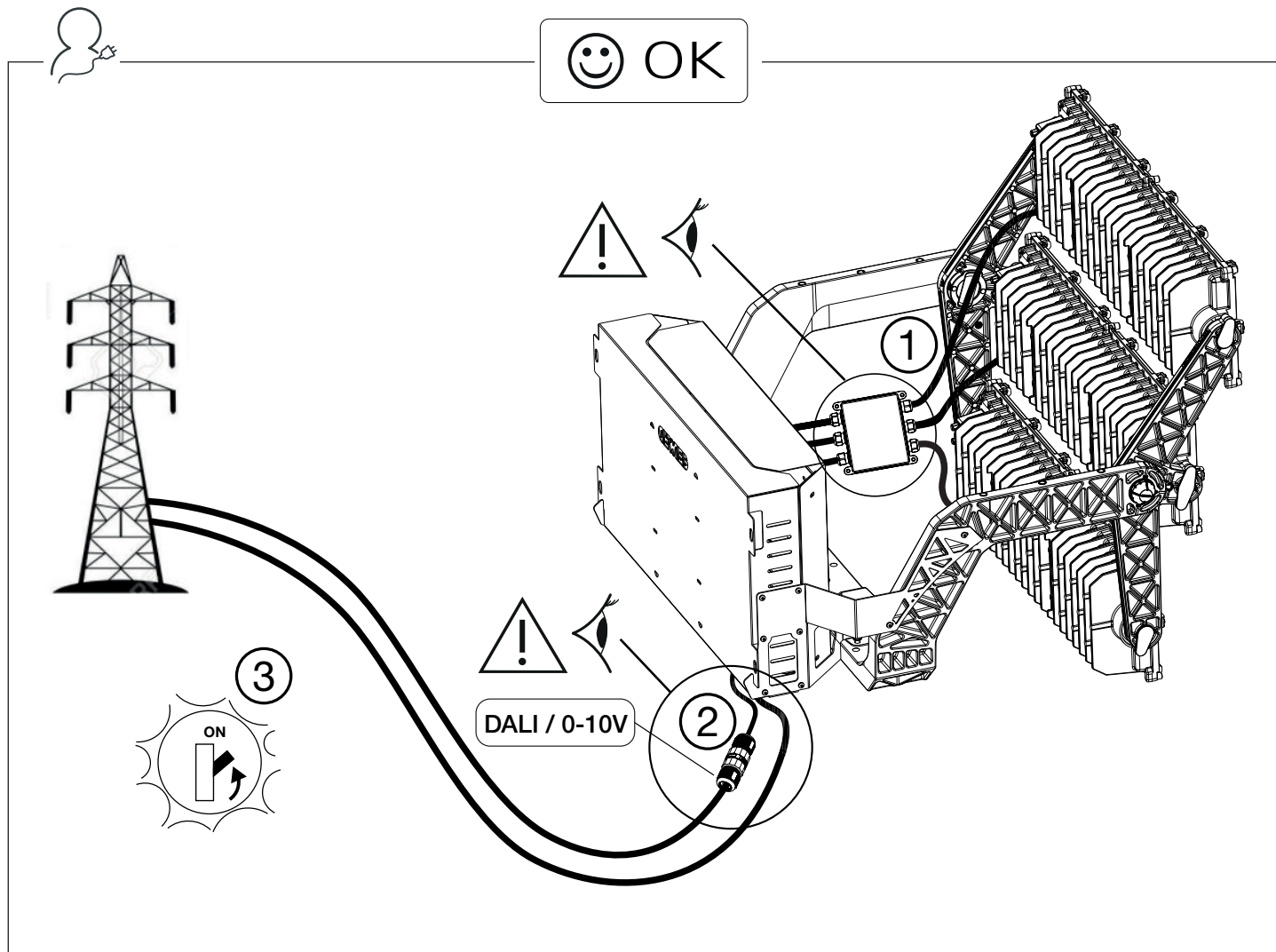


B GWP20113 →



		DALI / 0-10V			
	L	=	LED+		
	N	=	LED-		
		=			
		=	①		
		=	②		





Punto di contatto indicato in adempimento ai fini delle direttive e regolamenti UE applicabili:
Contact details according to the relevant European Directives and Regulations:
GEWISS S.p.A. Via D.Bosatelli, 1 IT-24069 Cenate Sotto (BG) Italy tel: +39 035 946 111 E-mail: qualitymarks@gewiss.com

According to applicable UK regulations, the company responsible for placing the goods in UK market is:
GEWISS UK LTD - Unity House, Compass Point Business Park, 9 Stocks Bridge Way, ST IVES
Cambridgeshire, PE27 5JL, United Kingdom tel: +44 1954 712757 E-mail: gewiss-uk@gewiss.com



+39 035 946 111

8:30 - 12:30 / 14:00 - 18:00

lunedì - venerdì / monday - friday



www.gewiss.com

