

# STADIUMPRO | 2

# SPATIUMPRO | 2



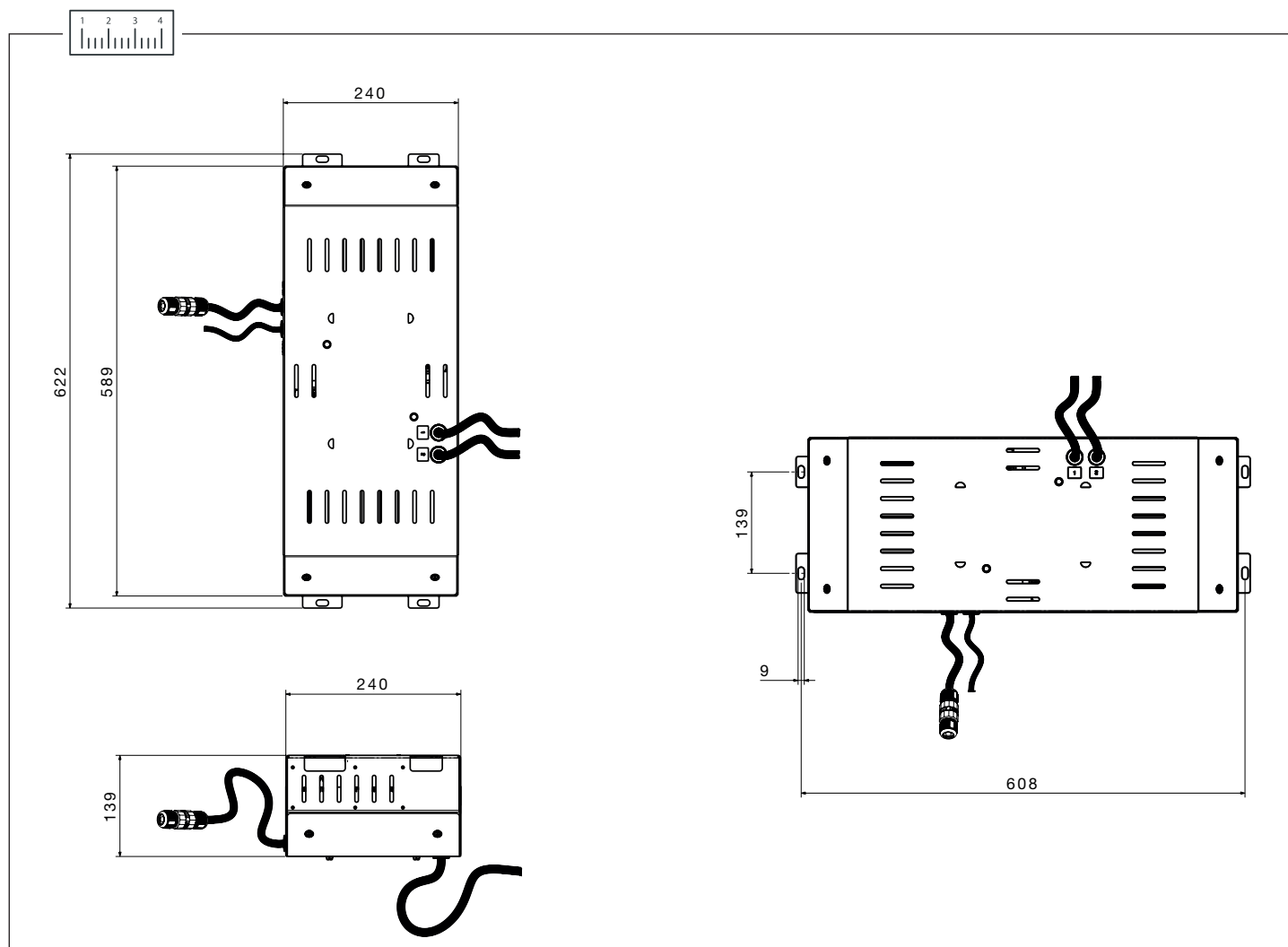
GWP30023/GWP30024 - DALI  
GWP30025/GWP30026 - 0-10V

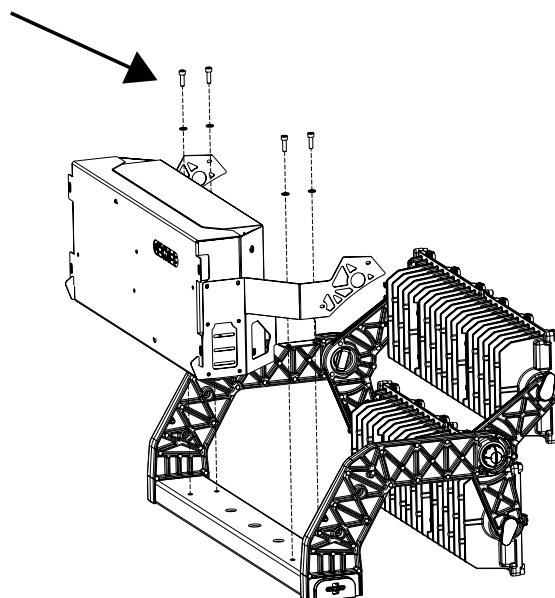
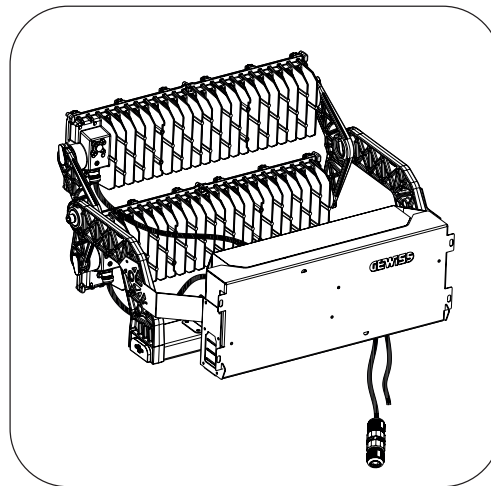
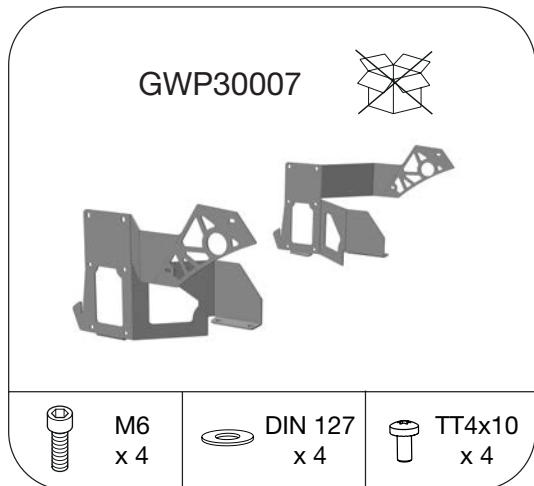


**IP66**



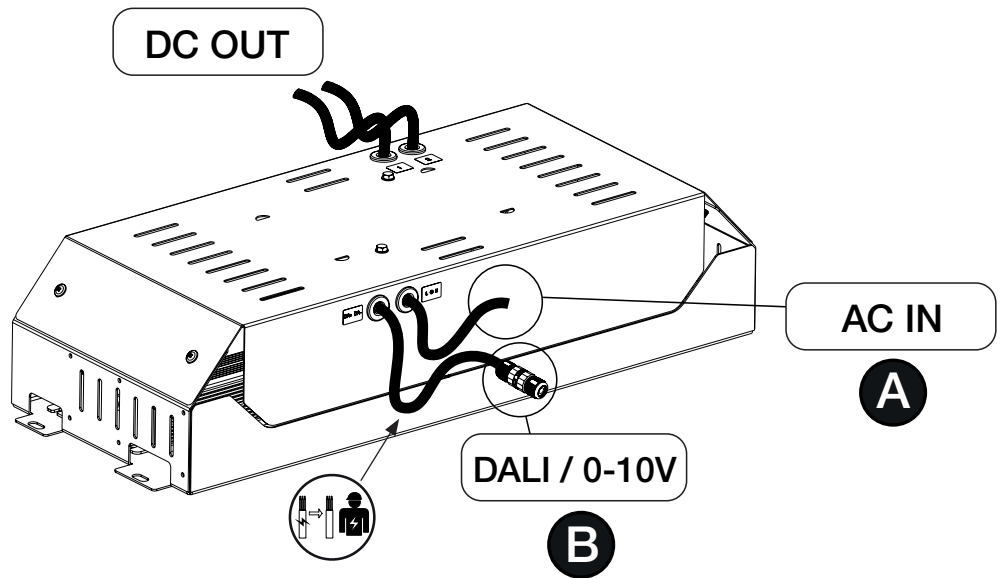
			<b>V</b>	<b>I</b>	<b>Uout</b>
STADIUMPRO   2	DALI		220-240V 50/60Hz	Max 1,2A	Max 600V $\overline{\text{rms}}$
	0-10V				
SPATIUMPRO   2	DALI		220-240V 50/60Hz	Max 0,95A	Max 600V $\overline{\text{rms}}$
	0-10V				



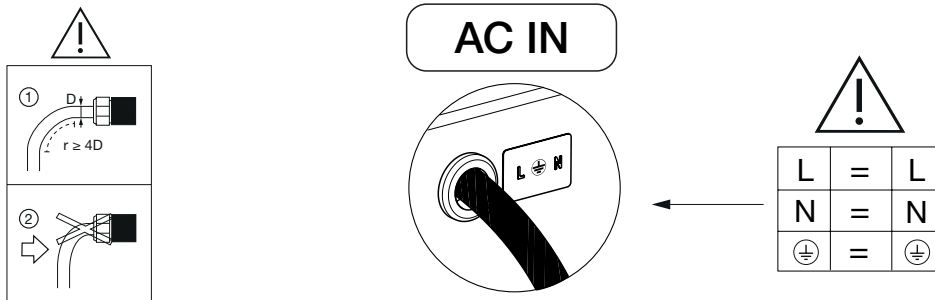


Inrush Current (peak)		
$V_{in}$	$I_{peak}$	Half Value time
220 Vac	28,6	2,4 ms

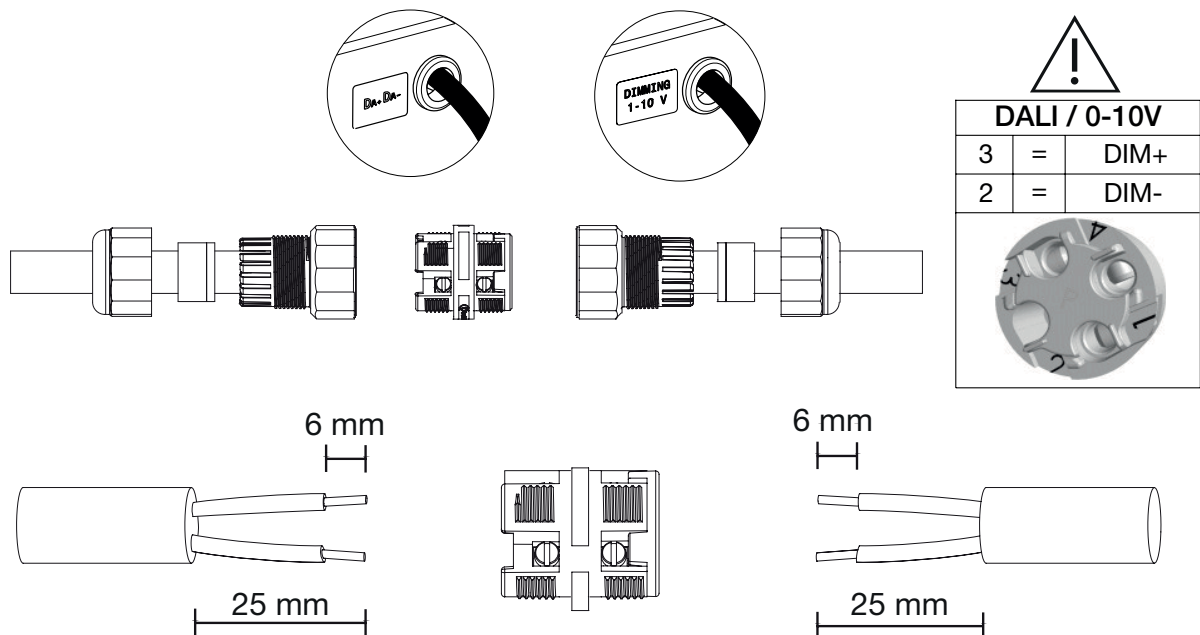
# GWP3002x for MCB - 220V				
	10A	16A	20A	25A
Type B:	1	1	2	2
Type C:	1	1	2	2
Type D:	1	2	2	3

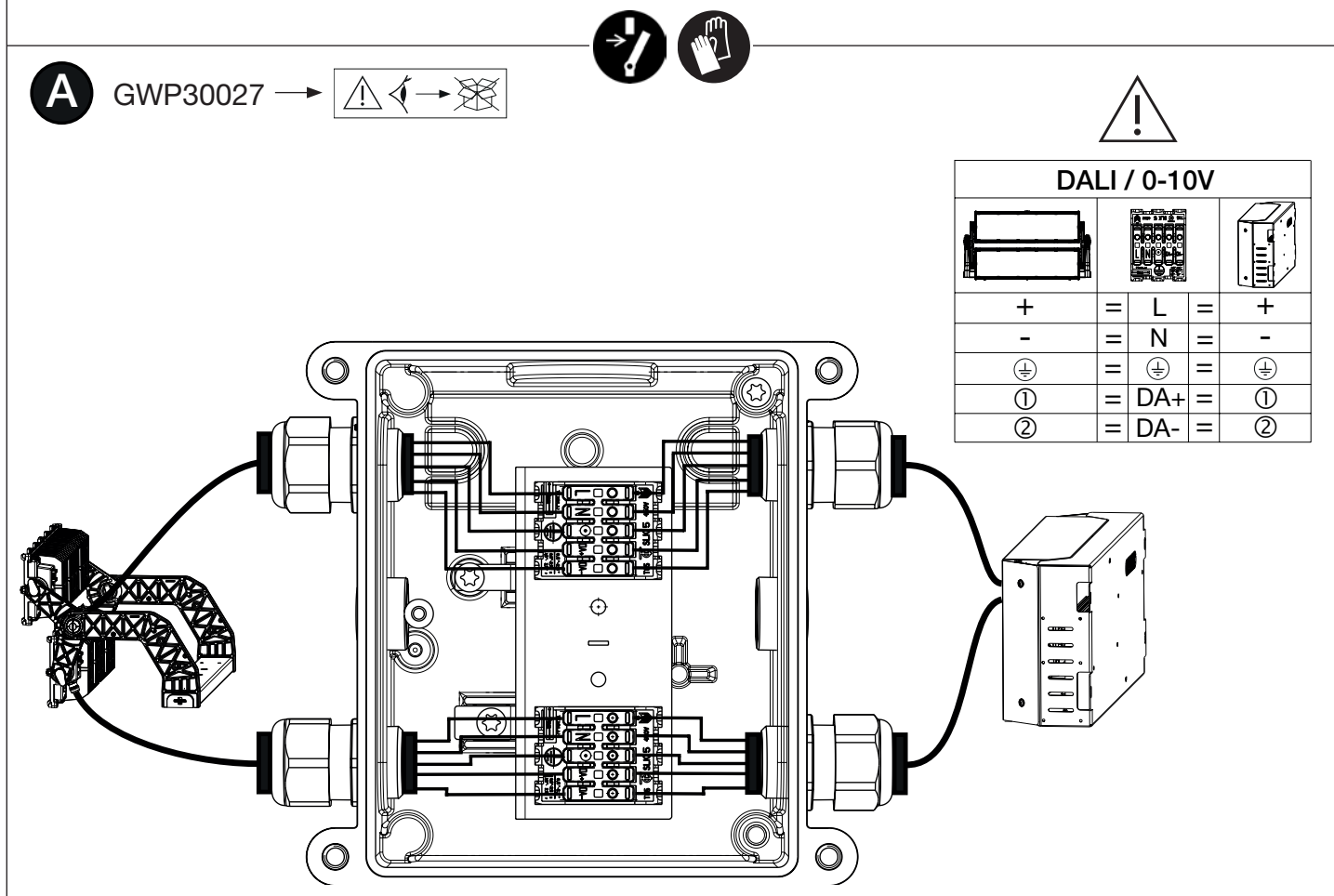
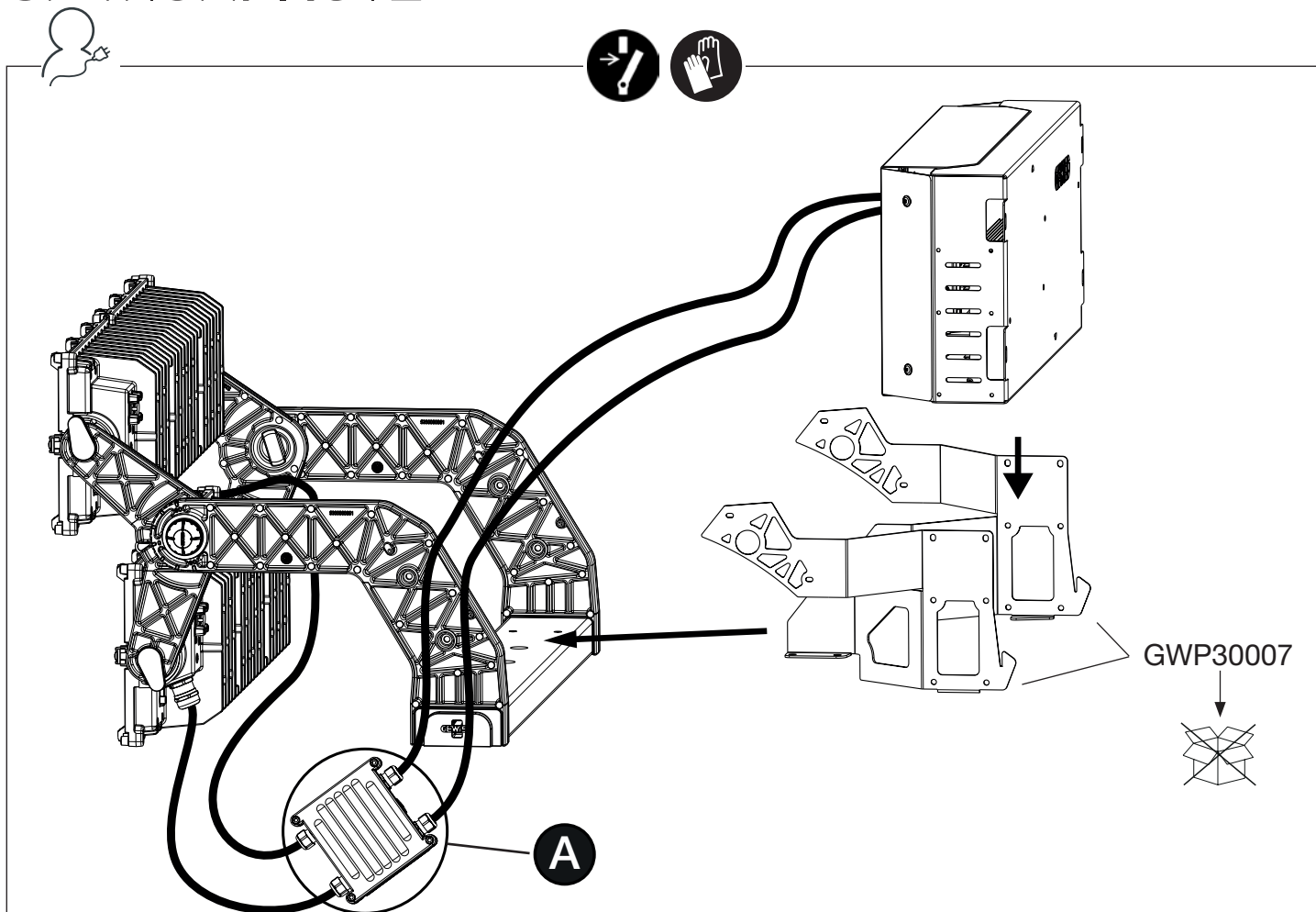


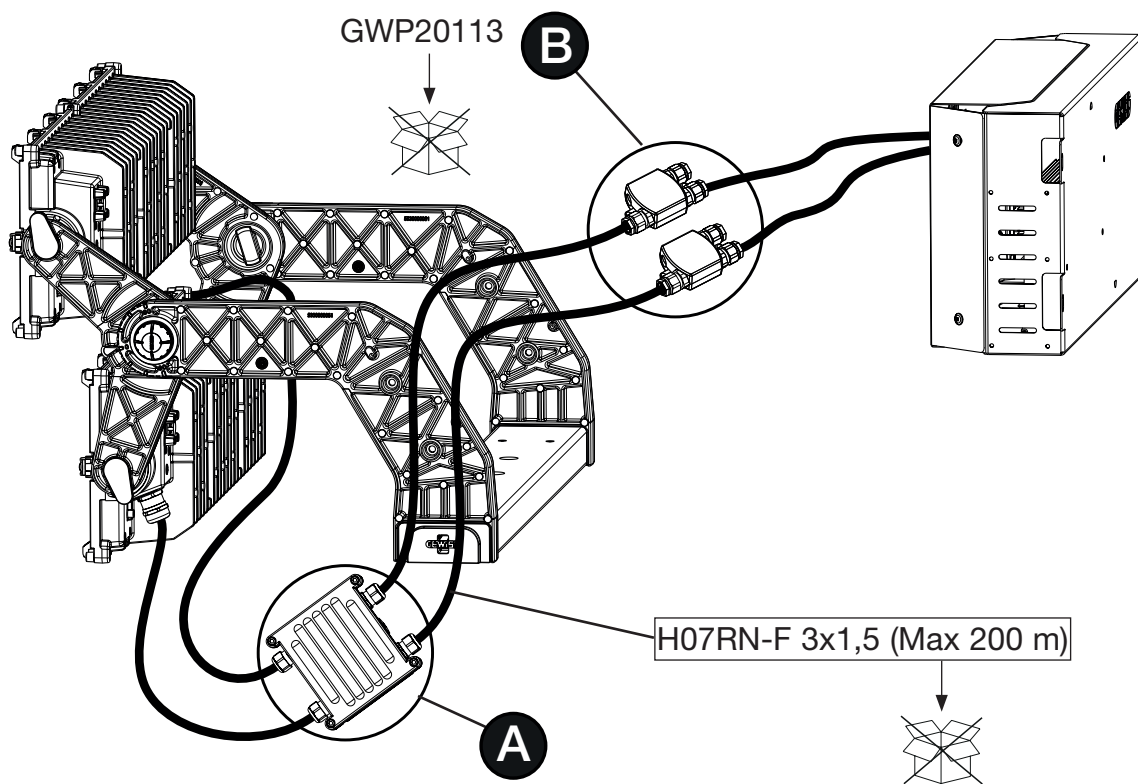
**A**



**B**



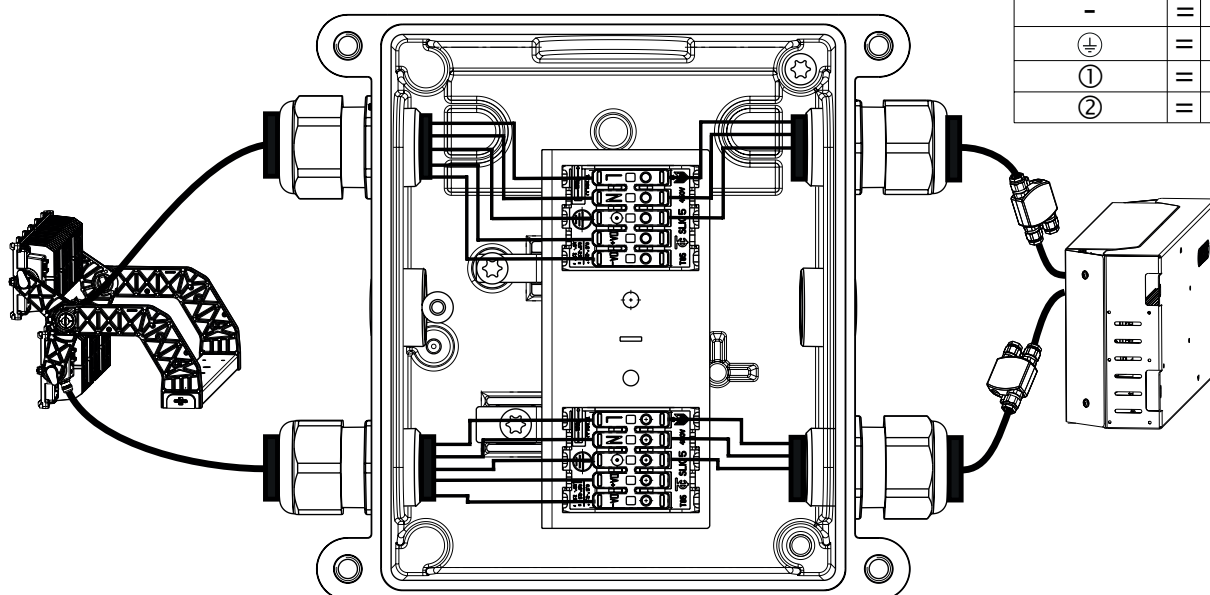




**A** GWP30027 →

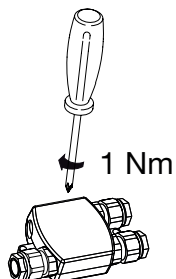


DALI / 0-10V			
+	= L =	+	
-	= N =	-	
⊕	= ⊕ =	⊕	
①	= DA+ =	<del>⊕</del>	
②	= DA- =	<del>⊕</del>	

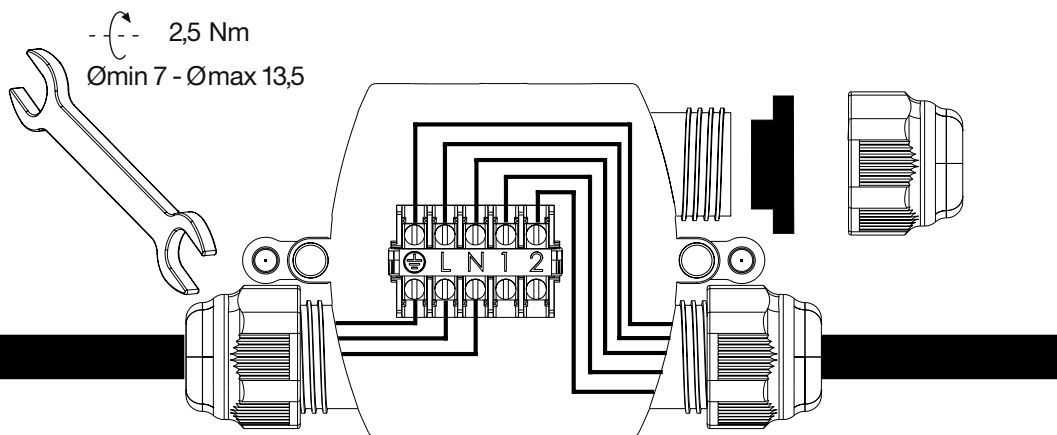




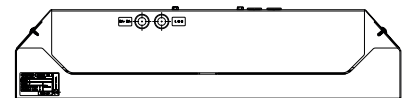
**B** GWP20113 →



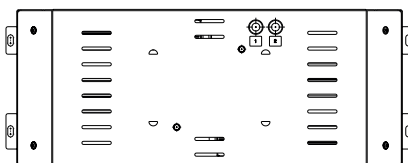
DALI / 0-10V		
L	=	LED+
N	=	LED-
	=	
	=	①
	=	②



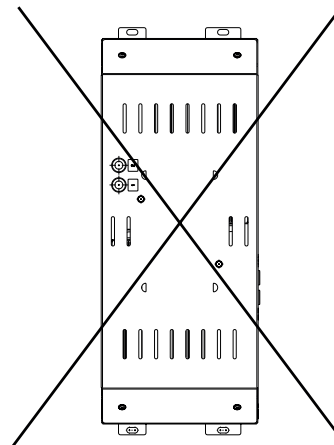
OK

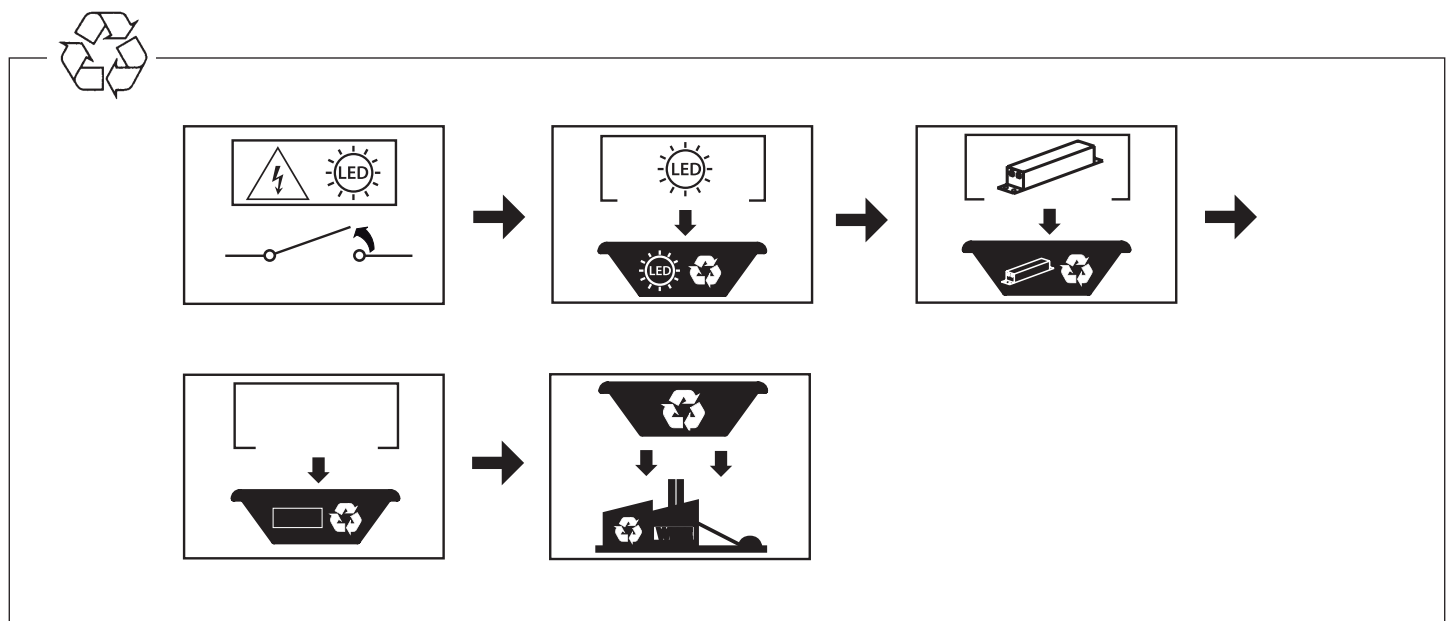
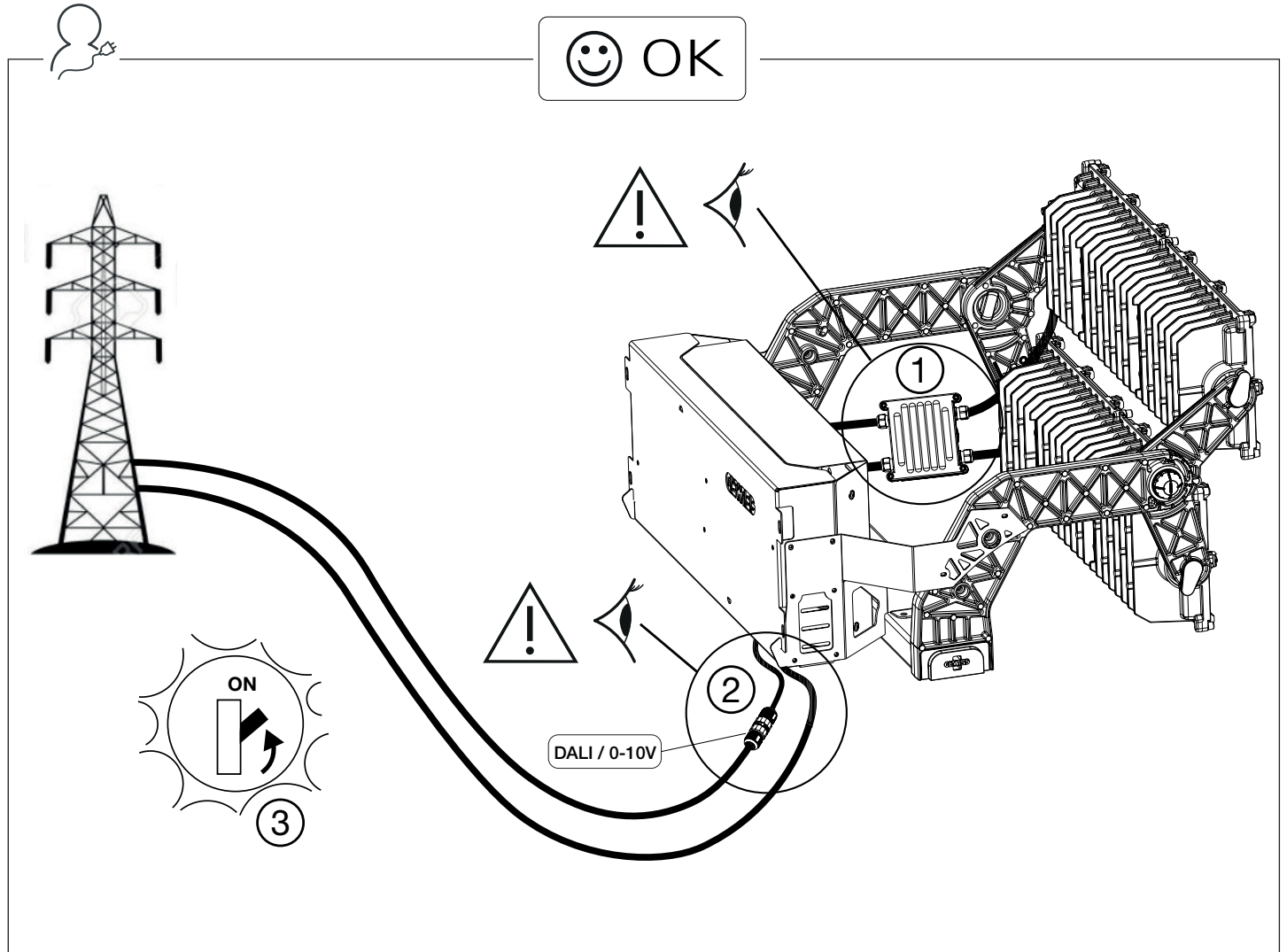


OK



KO





STADIUMPRO12  
SPATIUMPRO12

**GEWISS**

7613005839

Punto di contatto indicato in adempimento ai fini delle direttive e regolamenti UE applicabili:  
*Contact details according to the relevant European Directives and Regulations:*  
GEWISS S.p.A. Via D.Bosatelli, 1 IT-24069 Cenate Sotto (BG) Italy tel: +39 035 946 111 E-mail: [qualitymarks@gewiss.com](mailto:qualitymarks@gewiss.com)

According to applicable UK regulations, the company responsible for placing the goods in UK market is:  
**GEWISS UK LTD - Unity House, Compass Point Business Park, 9 Stocks Bridge Way, ST IVES**  
Cambridgeshire, PE27 5JL, United Kingdom tel: +44 1954 712757 E-mail: [gewiss-uk@gewiss.com](mailto:gewiss-uk@gewiss.com)



**+39 035 946 111**

8:30 - 12:30 / 14:00 - 18:00

lunedì - venerdì / monday - friday



[www.gewiss.com](http://www.gewiss.com)



ULTIMA REVISIONE 01/2025