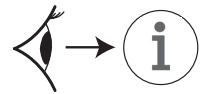
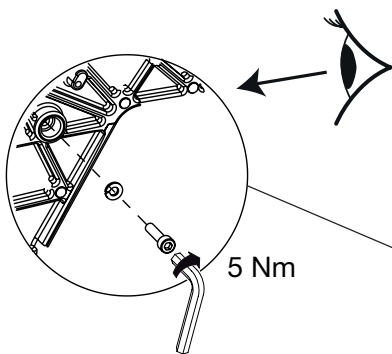
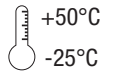
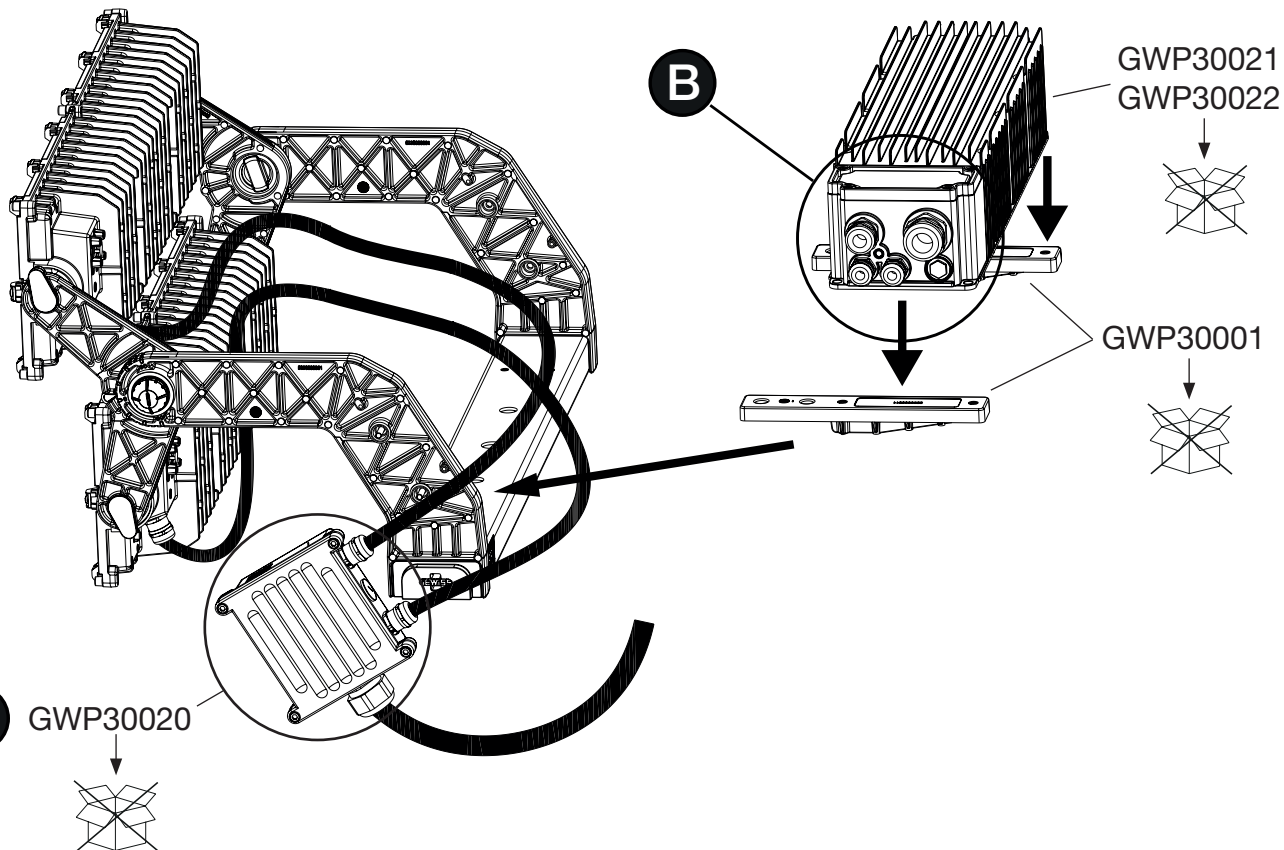


**GWP30020**



**IP66**

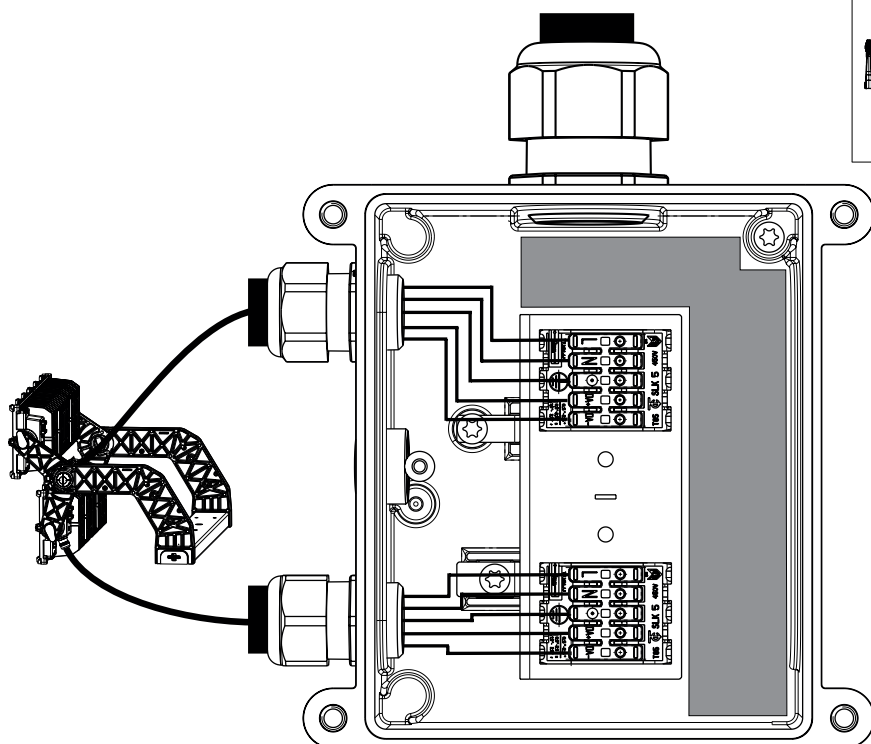




**A** GWP30020

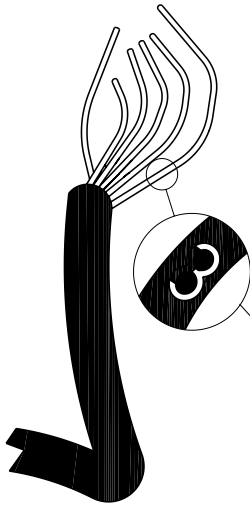


		DALI / DMX		
	+	=	L	
	-	=	N	
	⊕	=	⊕	
	①	=	DA+	
	②	=	DA-	



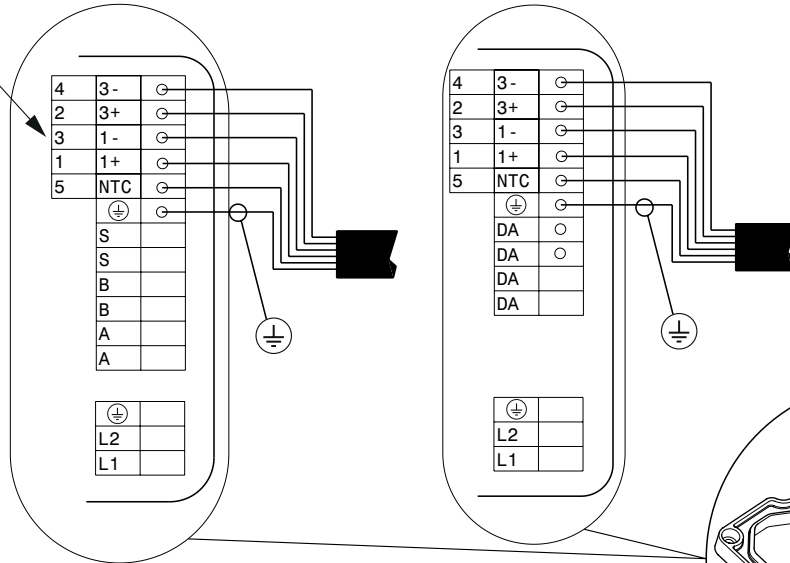


**B**



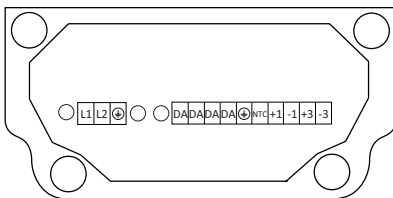
GWP30022 - DMX

GWP30021 - DALI

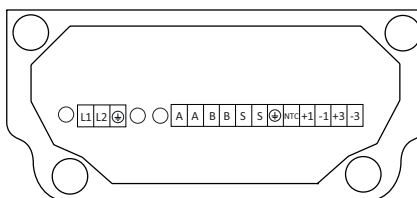


GWP30021 - DALI

GWP30022 - DMX  
DMX address default: 1

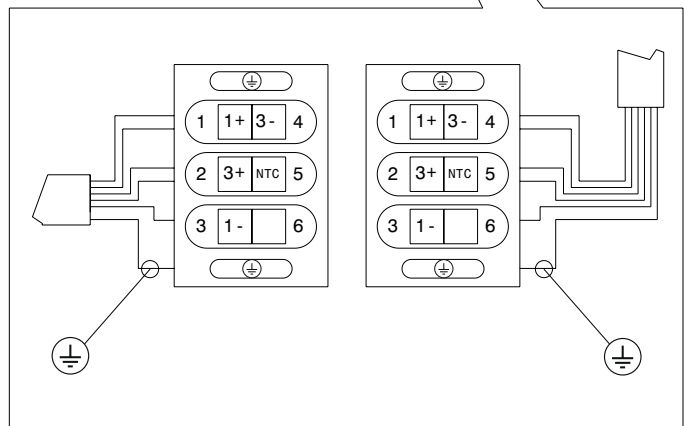
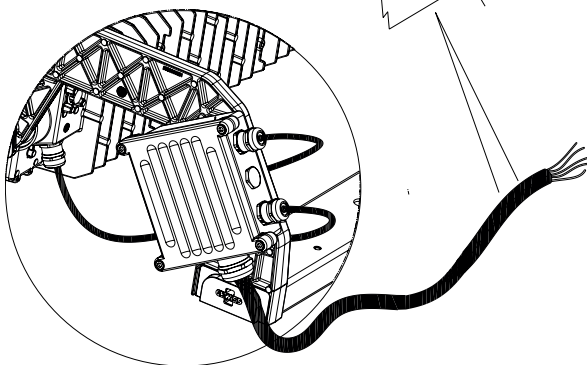
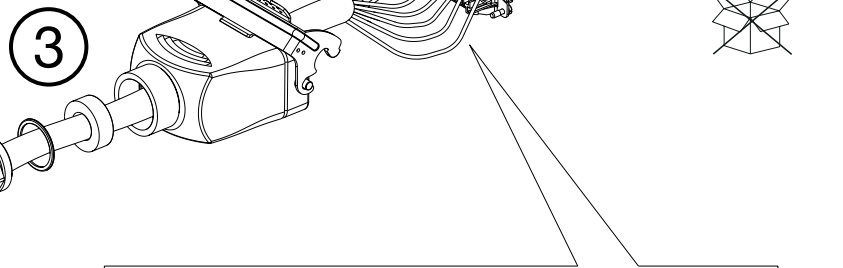
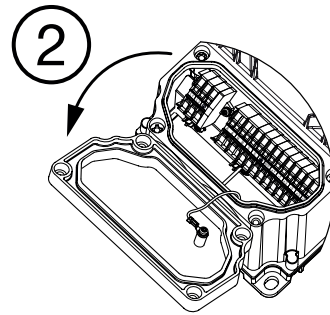
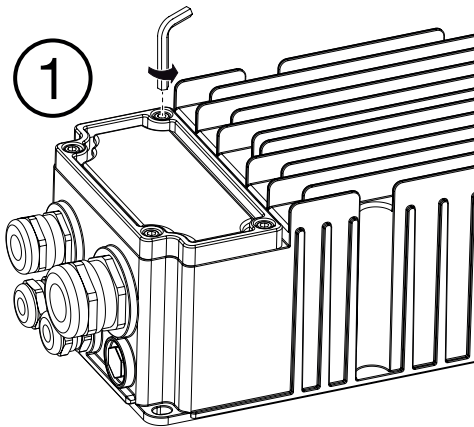
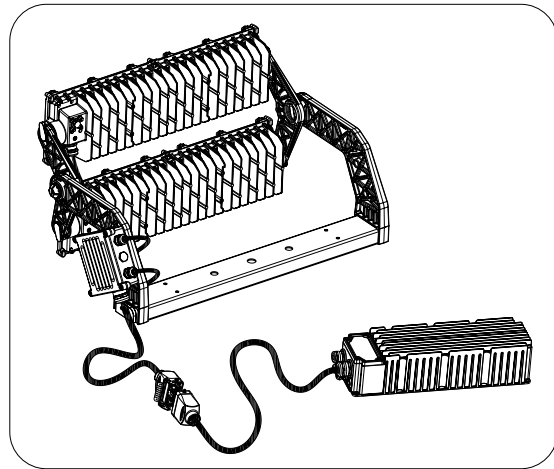
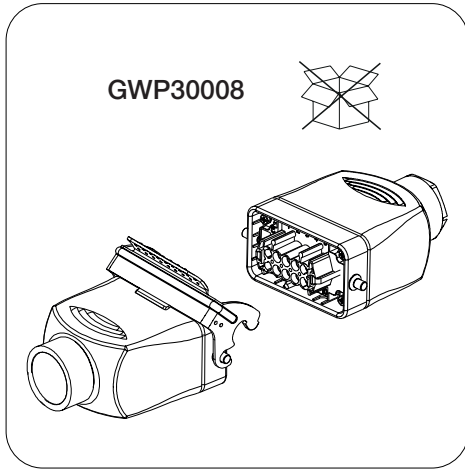


PINOUT	
Label	
L1	AC L1 IN
L2	AC L2 IN
⊕	PE
DA	DALI IN
DA	DALI relaunch
DA	DALI IN
DA	DALI relaunch
⊕	PE LED MODULE
NTC	NTC
+1	LED1+
-1	LED1-
+3	LED3+
-3	LED3-



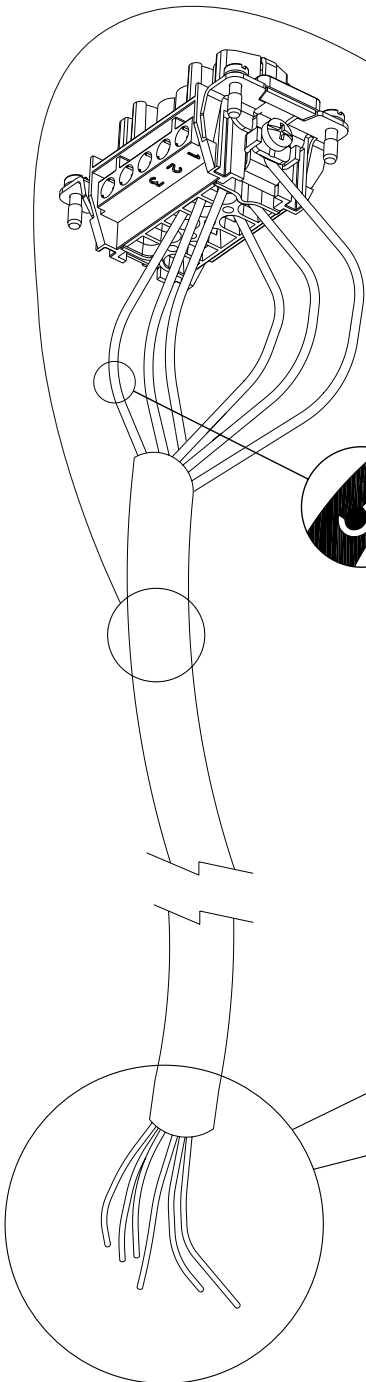
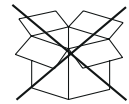
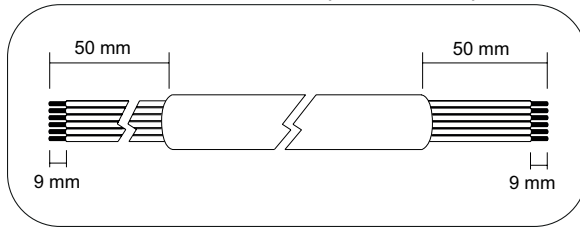
PINOUT	
Label	
L1	AC L1 IN
L2	AC L2 IN
⊕	PE
A	DMX A INPUT DATA +
A	DMX A RE-LAUNCH DATA +
B	DMX B INPUT DATA -
B	DMX B RE-LAUNCH DATA -
S	DMX shield
S	DMX shield
⊕	PE LED MODULE
NTC	NTC
+1	LED1+
-1	LED1-
+3	LED3+
-3	LED3-







H07RN-F 6x1,5 (Max 50 m)



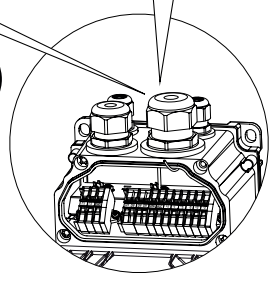
GWP30022 - DMX

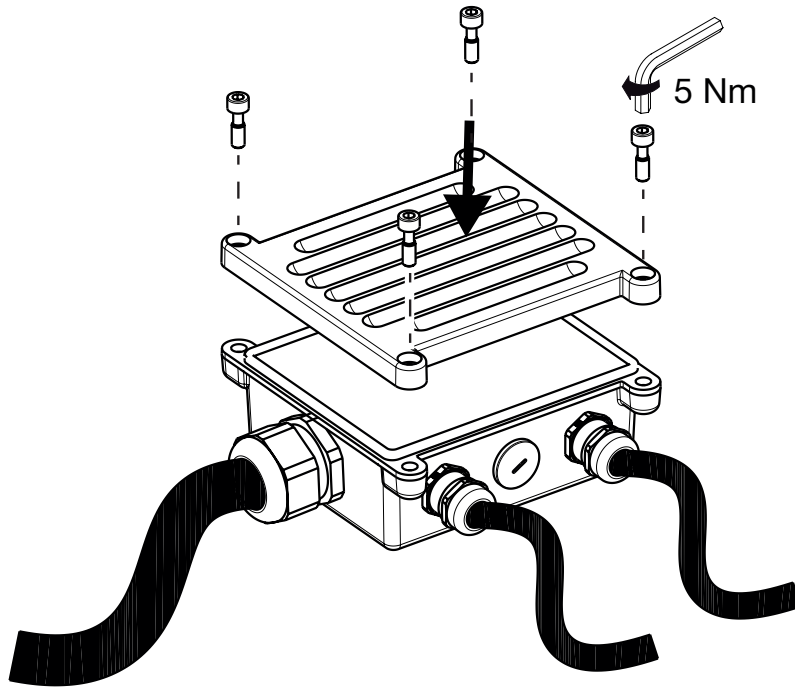
4	3-	⊖
2	3+	⊖
3	1-	⊖
1	1+	⊖
5	NTC	⊖
	⊕	⊖
S		
S		
B		
B		
A		
A		

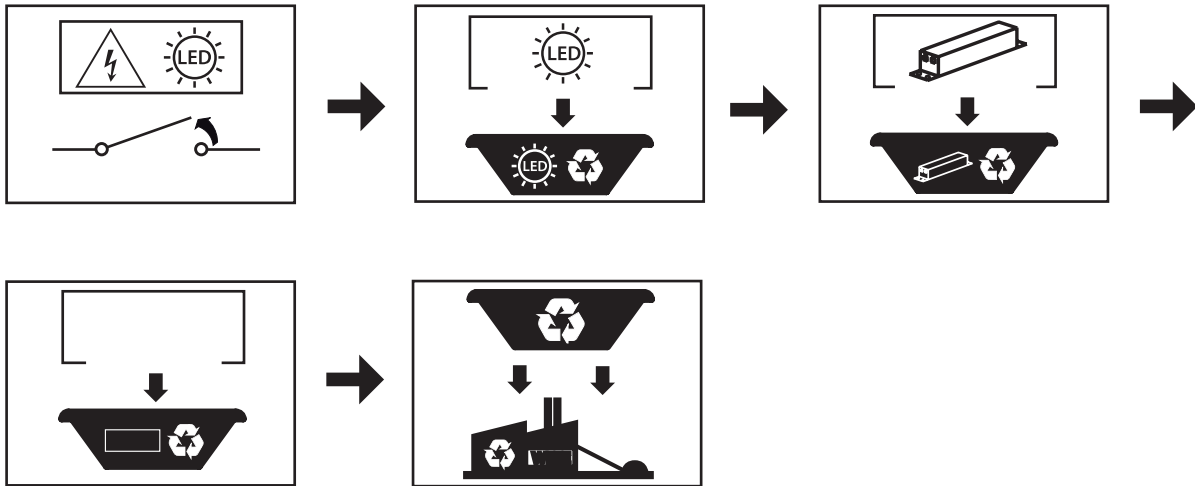
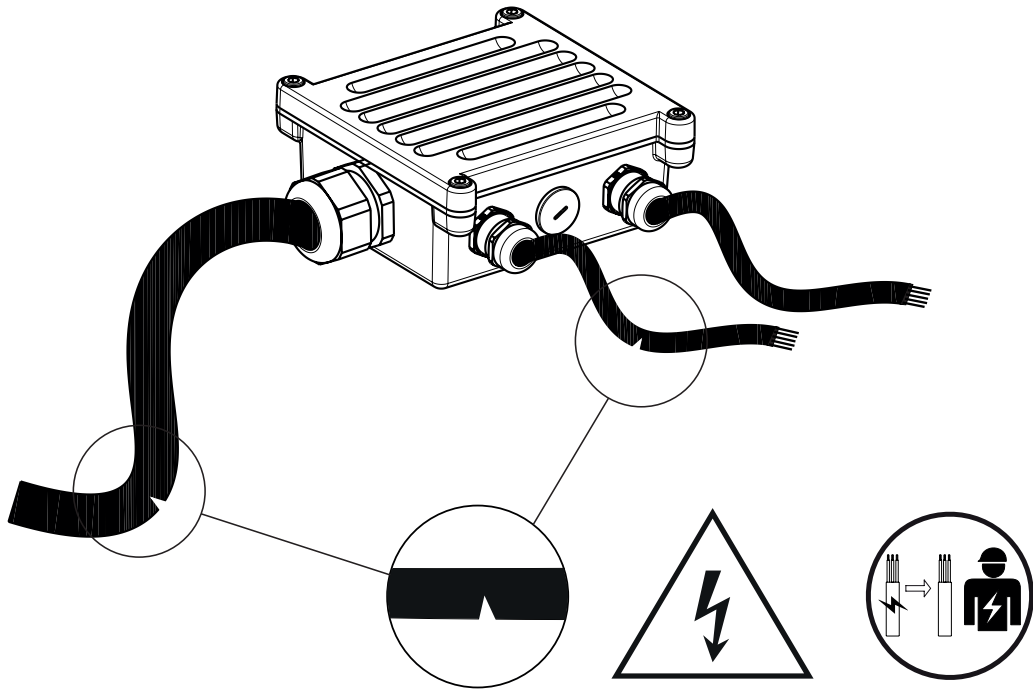
GWP30021 - DALI

4	3-	⊖
2	3+	⊖
3	1-	⊖
1	1+	⊖
5	NTC	⊖
	⊕	⊖
DA	⊖	
DA	⊖	
DA		
DA		

4







Punto di contatto indicato in adempimento ai fini delle direttive e regolamenti UE applicabili:  
*Contact details according to the relevant European Directives and Regulations:*  
GEWISS S.p.A. Via D.Bosatelli, 1 IT-24069 Cenate Sotto (BG) Italy tel: +39 035 946 111 E-mail: [qualitymarks@gewiss.com](mailto:qualitymarks@gewiss.com)

According to applicable UK regulations, the company responsible for placing the goods in UK market is:  
**GEWISS UK LTD - Unity House, Compass Point Business Park, 9 Stocks Bridge Way, ST IVES**  
Cambridgeshire, PE27 5JL, United Kingdom tel: +44 1954 712757 E-mail: [gewiss-uk@gewiss.com](mailto:gewiss-uk@gewiss.com)



**+39 035 946 111**

8:30 - 12:30 / 14:00 - 18:00  
lunedì - venerdì / monday - friday



[www.gewiss.com](http://www.gewiss.com)

