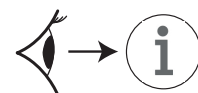
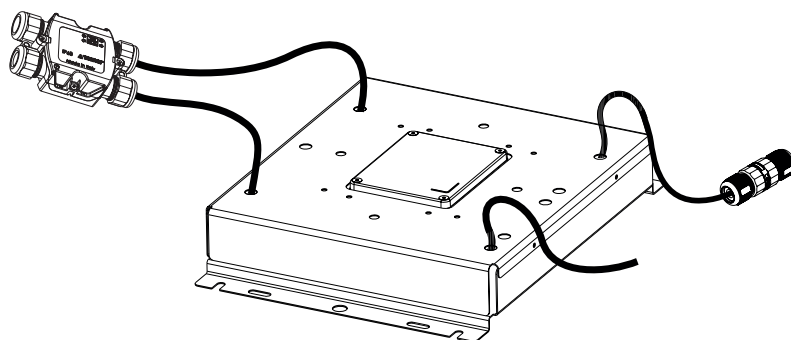


SMART [PRO]e

GWP20011

GEWISS

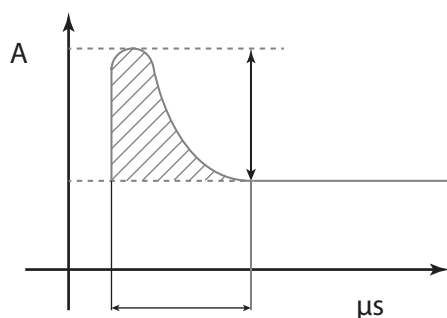
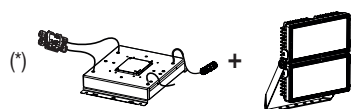


IP66



+50°C
-30°C

	Kg	P^(*)	V_{in}	I_{out}	U_{out}	t_a
	7,4	Max. 605 W	220-240 V 50/60 Hz	Max. 1,4 A	340 V \equiv	50°C

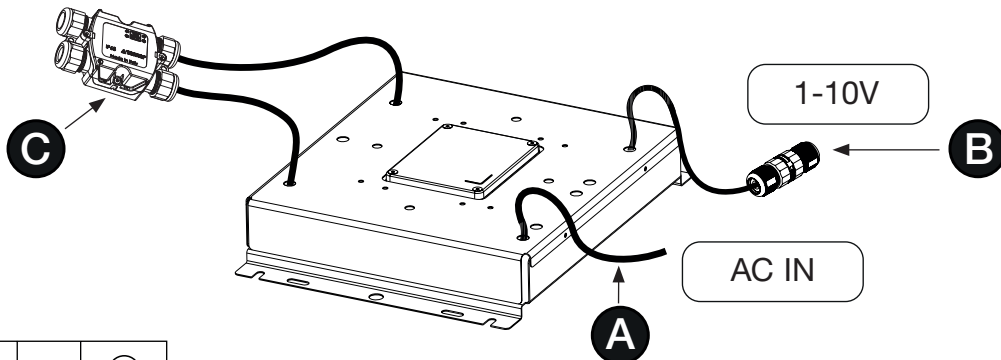


	I_{LED}	LED driver Inrush Current Peak and Width
1-10V	Max. 1,4 A	120Ax2 / 400μs

MCB Type B:	10A	16A	20A	25A
	0	1	1	1
MCB Type C:	10A	16A	20A	25A
	1	1	2	2
MCB Type D:	10A	16A	20A	25A
	2	2	4	5

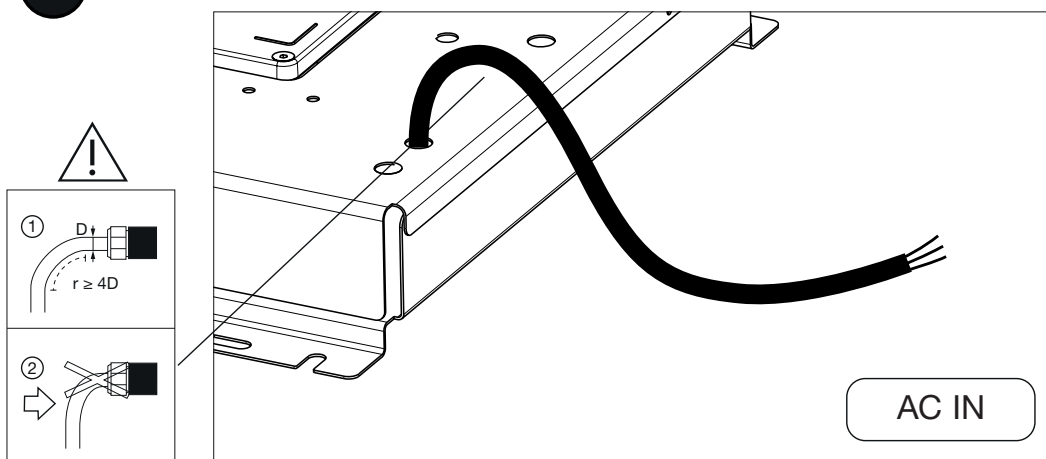


DC OUT

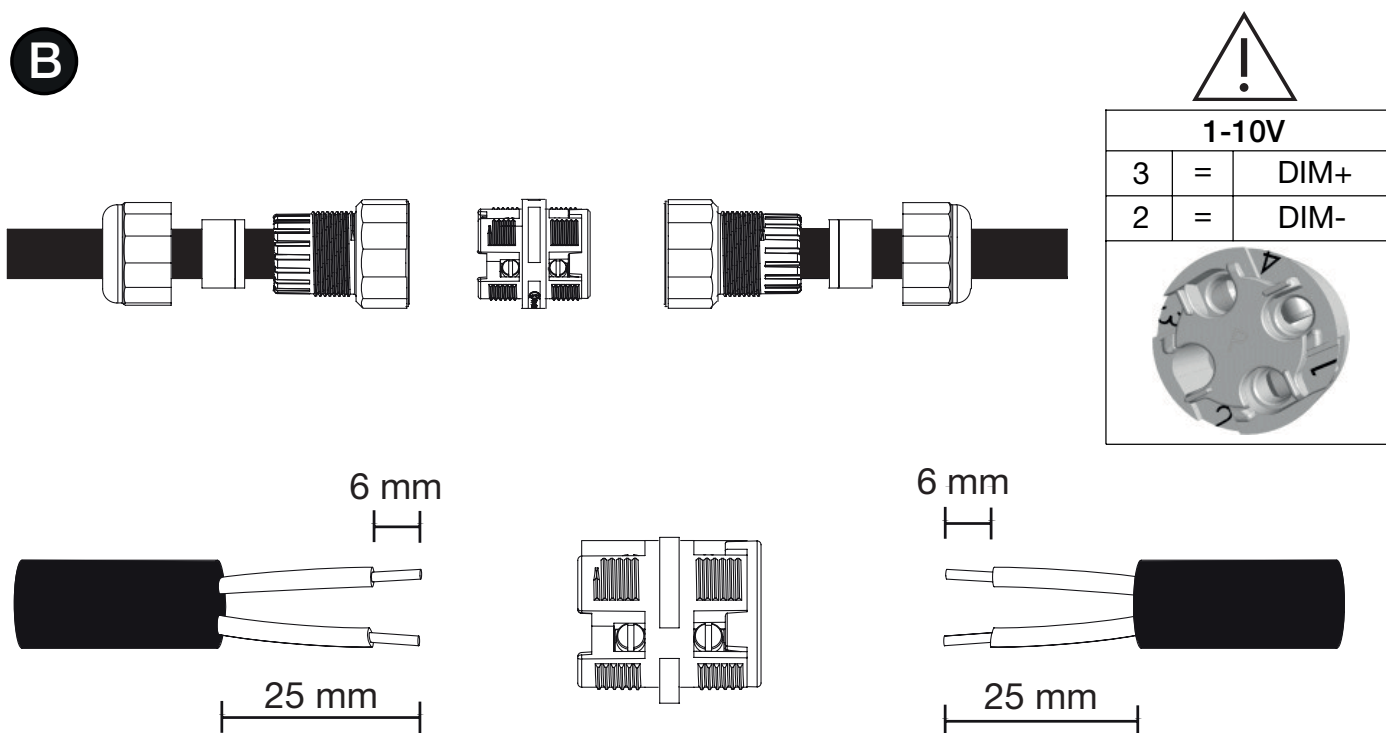


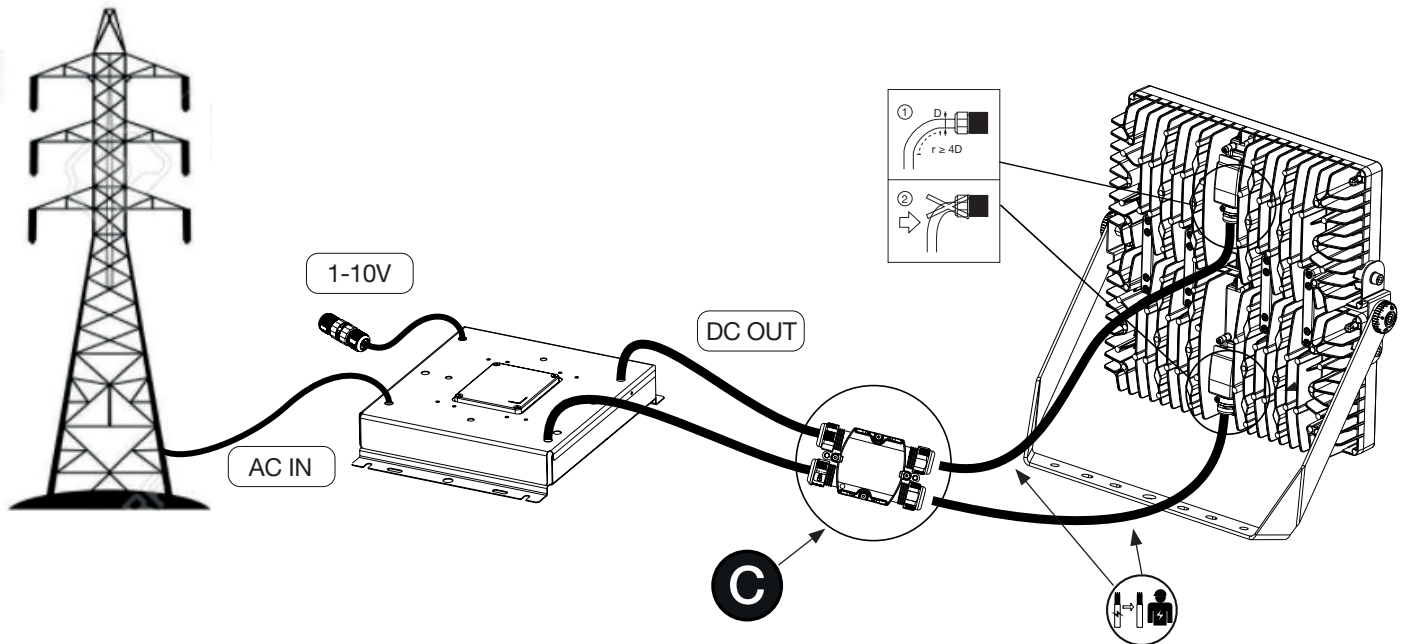
220-240V 50/60Hz	↔	DIMMING 1-10V	→	
---------------------	---	------------------	---	--

A

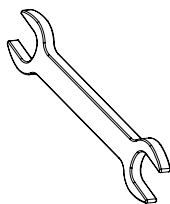
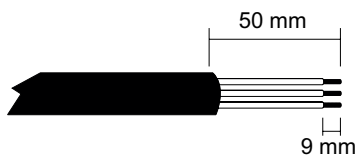


B





C

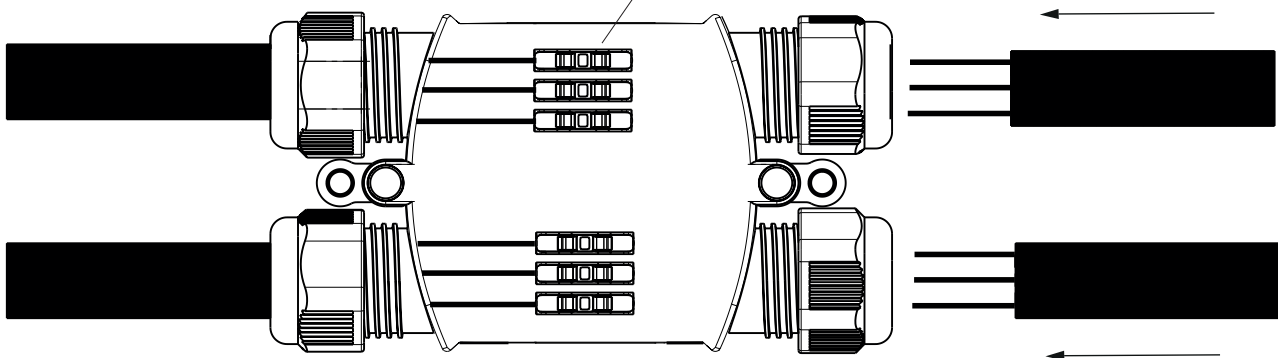
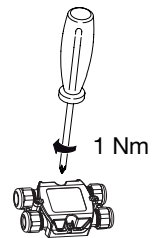


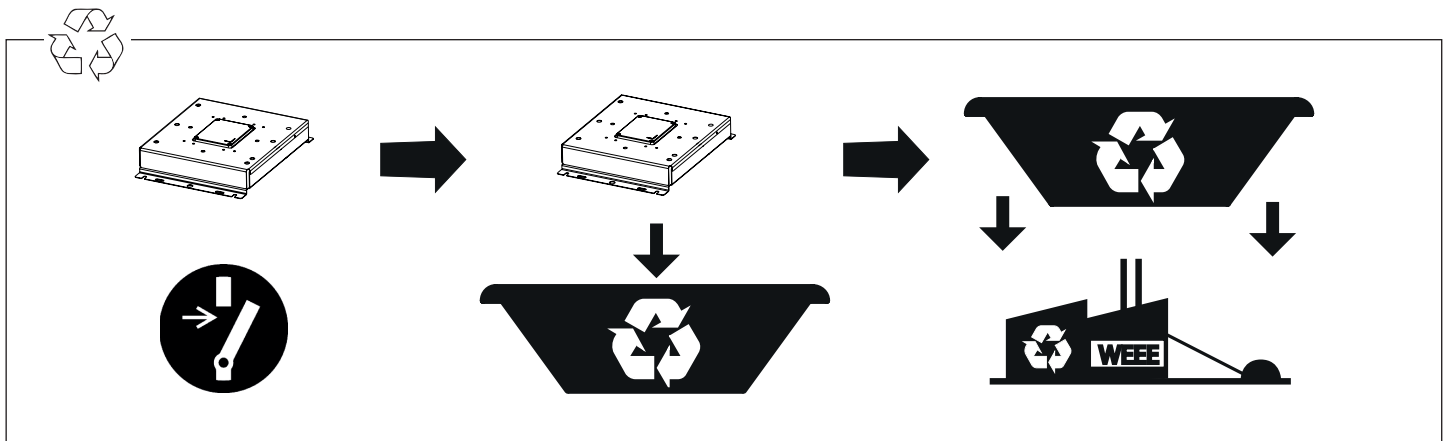
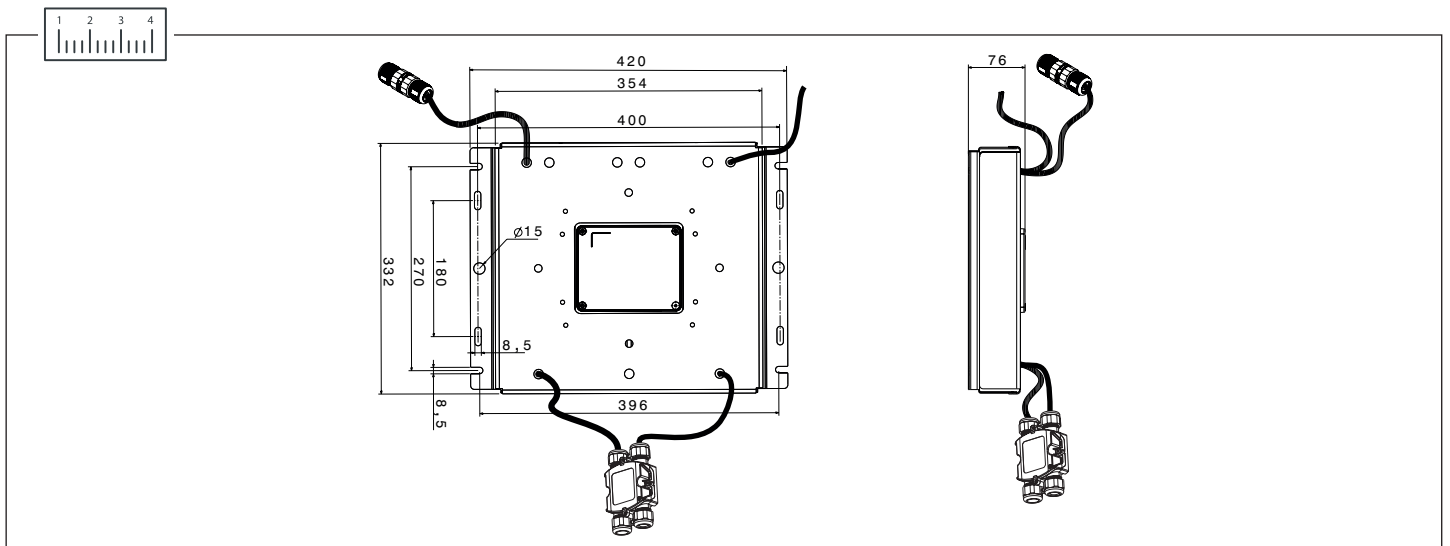
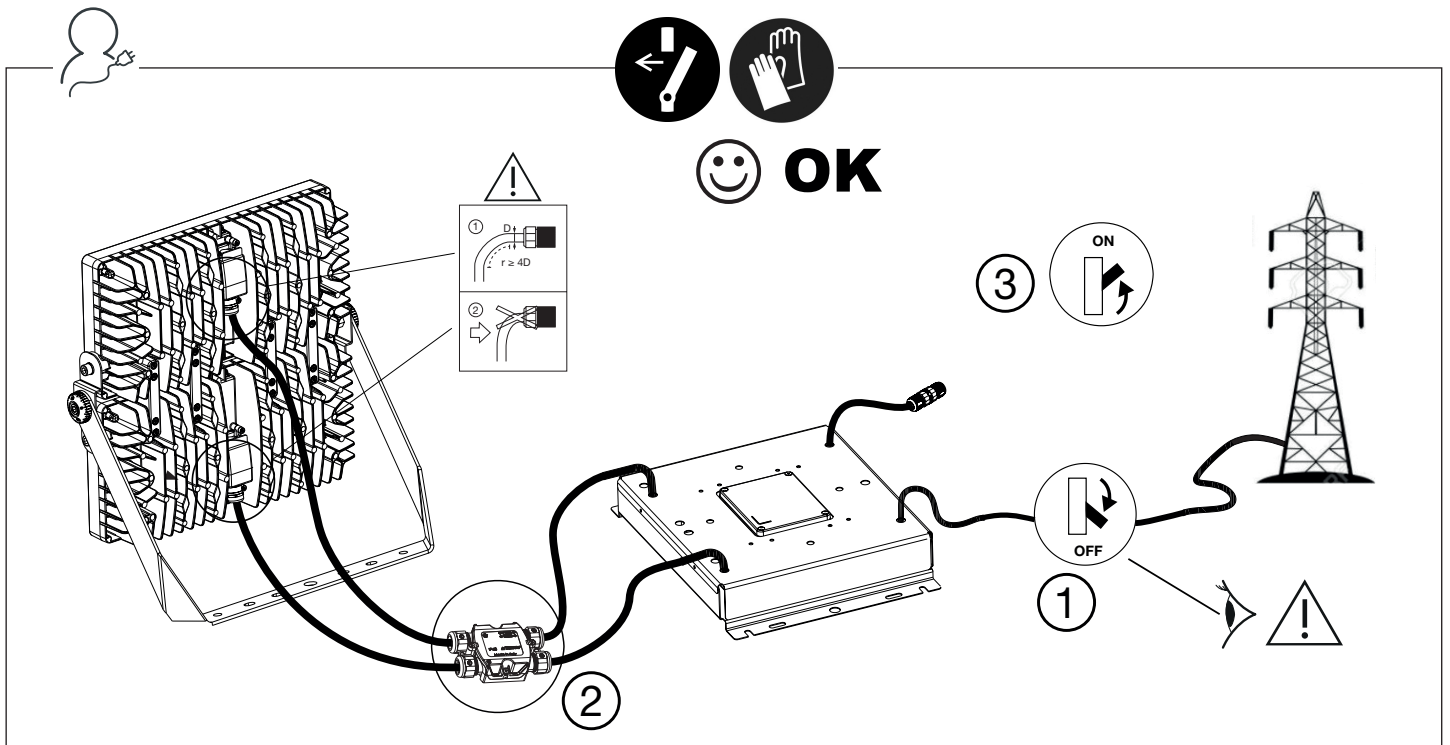
Ømin 7 - Ømax 13,5

2,5 Nm



1+	=	1+
1-	=	1-
3+	=	3+
3-	=	3-
⊕	=	⊕





Punto di contatto indicato in adempimento ai fini delle direttive e regolamenti UE applicabili:
 Contact details according to the relevant European Directives and Regulations:
 GEWISS S.p.A. Via A.Volta, 1 IT-24069 Cenate Sotto (BG) Italy tel: +39 035 946 111 E-mail: qualitymarks@gewiss.com

According to applicable UK regulations, the company responsible for placing the goods in UK market is:
 GEWISS UK LTD - Unity House, Compass Point Business Park, 9 Stocks Bridge Way, ST IVES
 Cambridgeshire, PE27 5JL, United Kingdom tel: +44 1954 712757 E-mail: gewiss-uk@gewiss.com

+39 035 946 111
 8:30 - 12:30 / 14:00 - 18:00
 lunedì - venerdì / monday - friday

 www.gewiss.com

