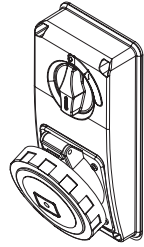

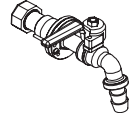
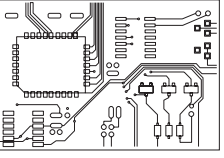

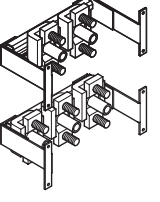
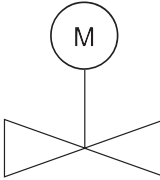
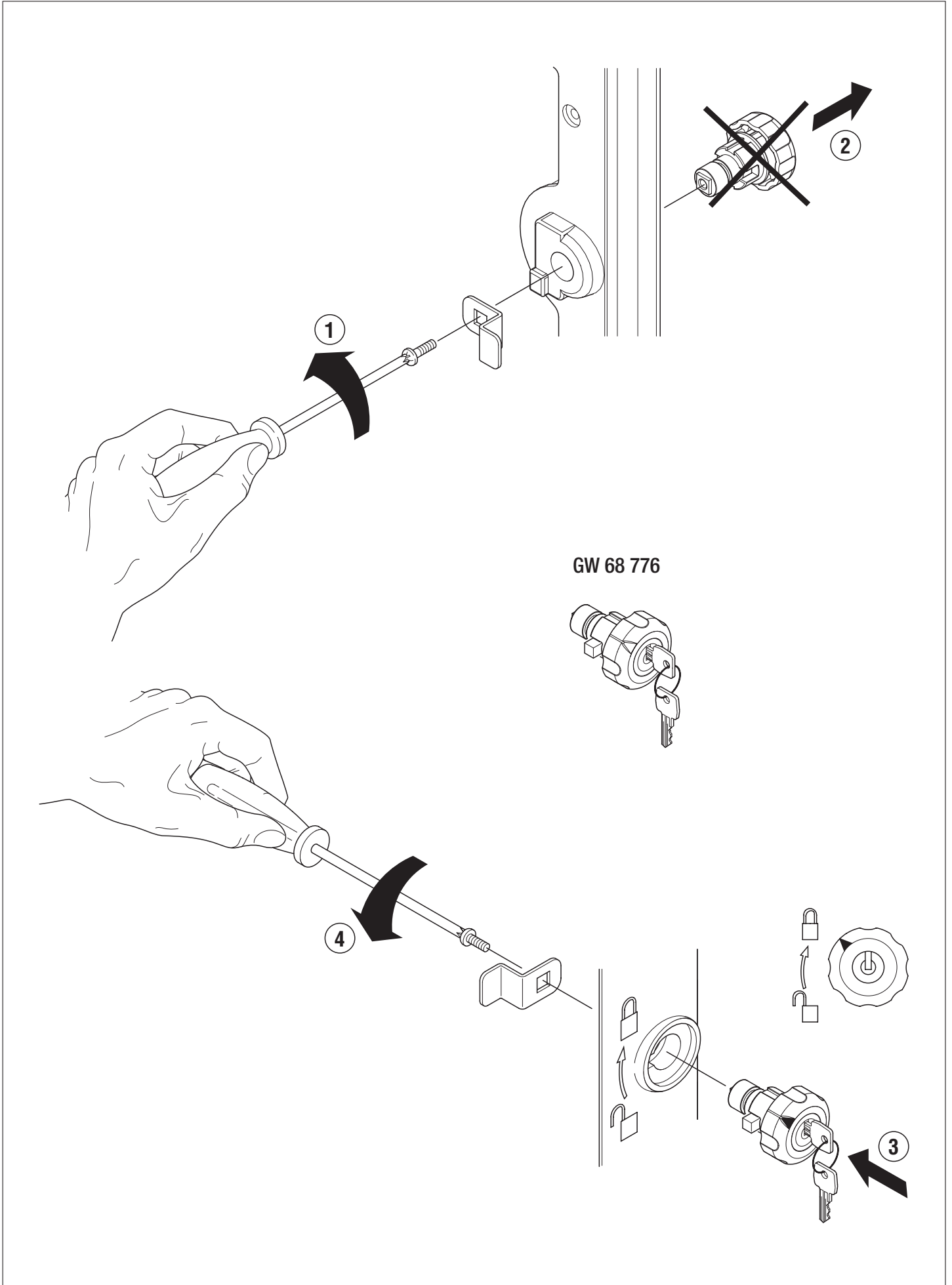
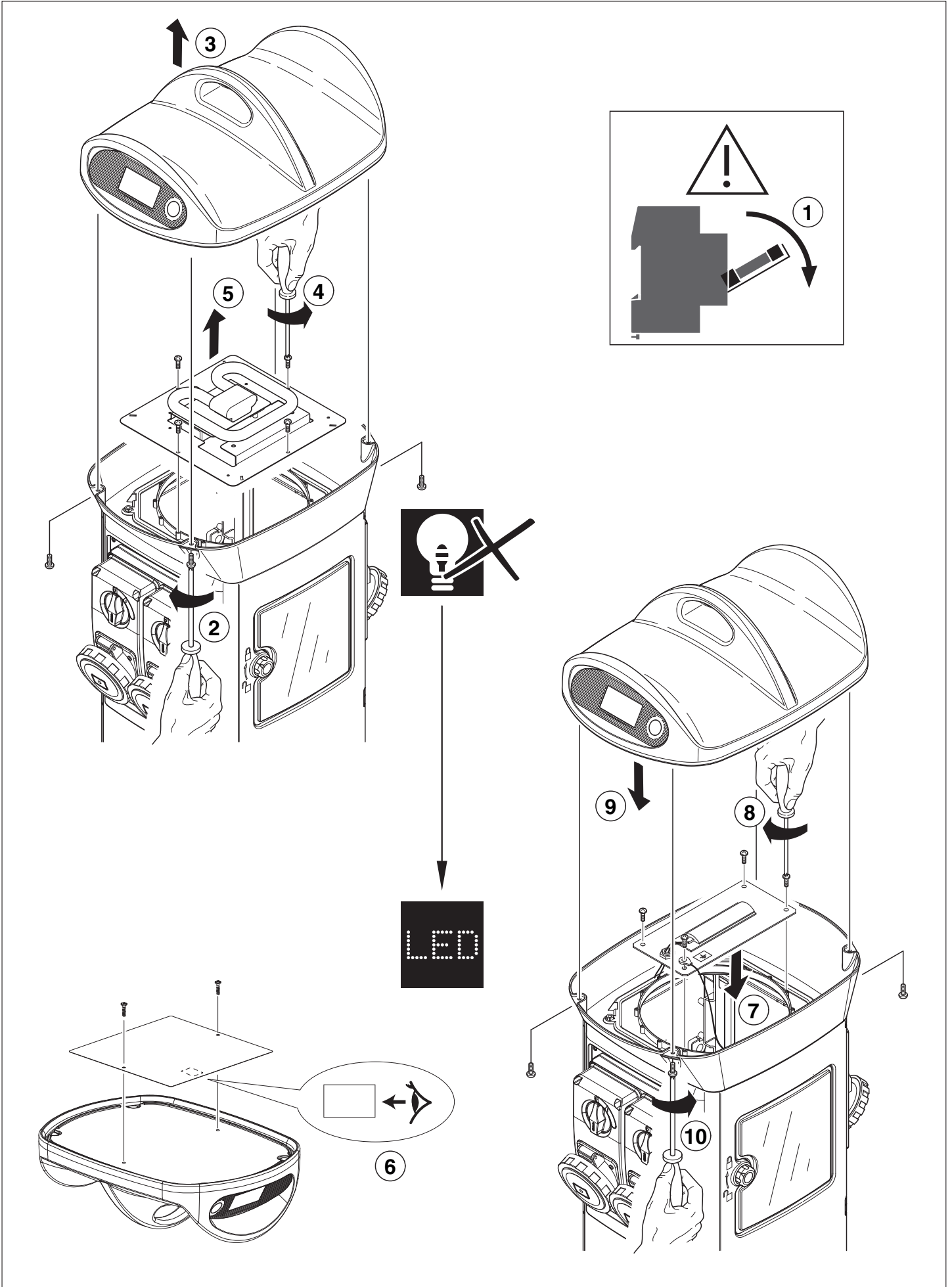
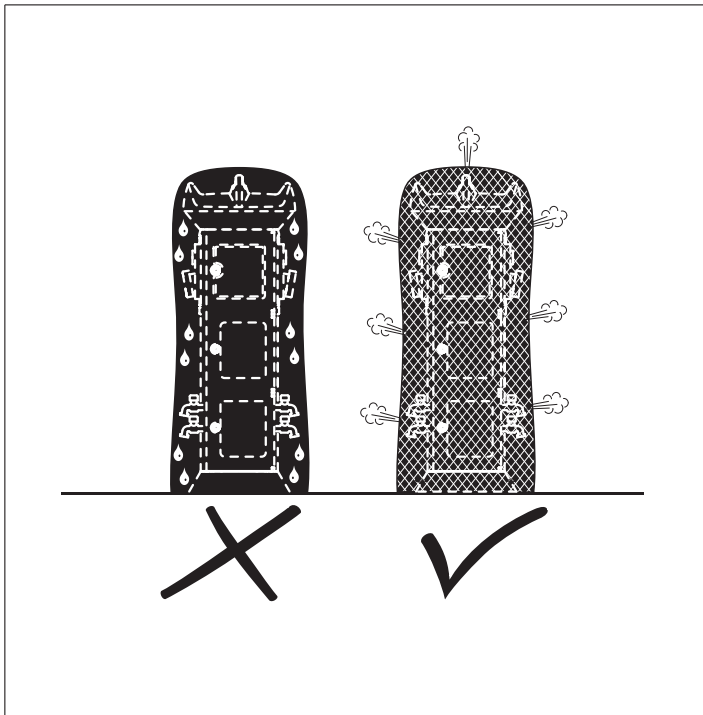
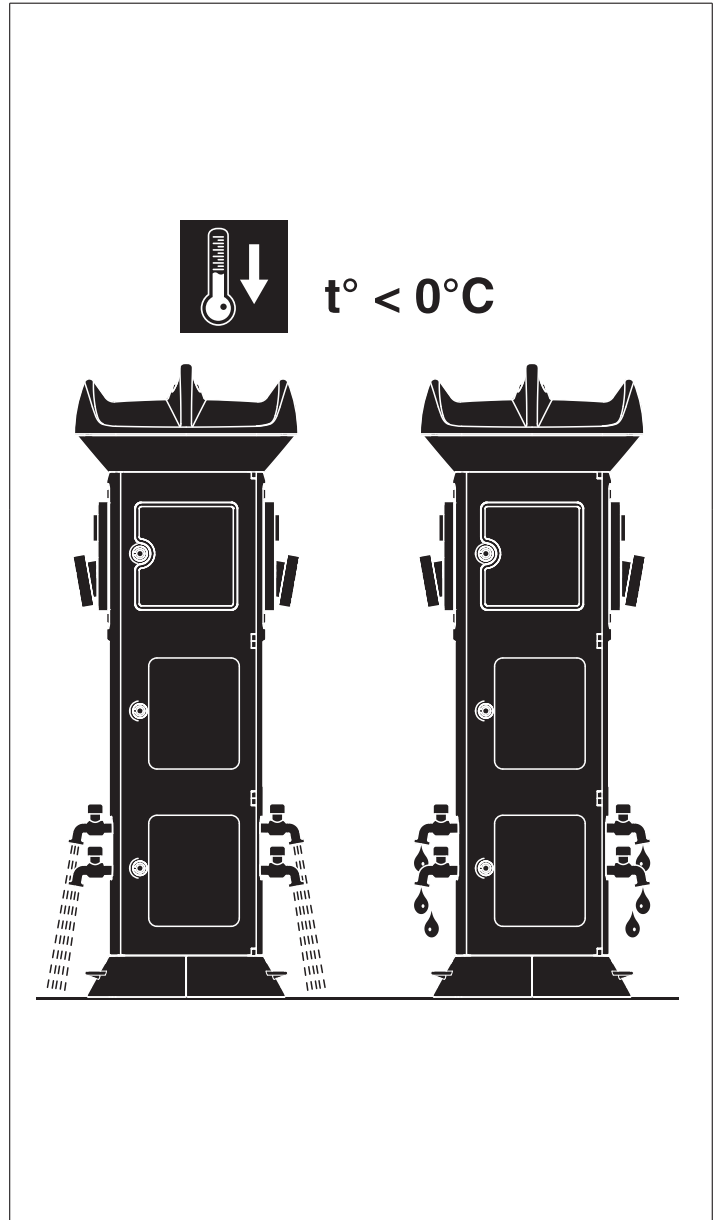
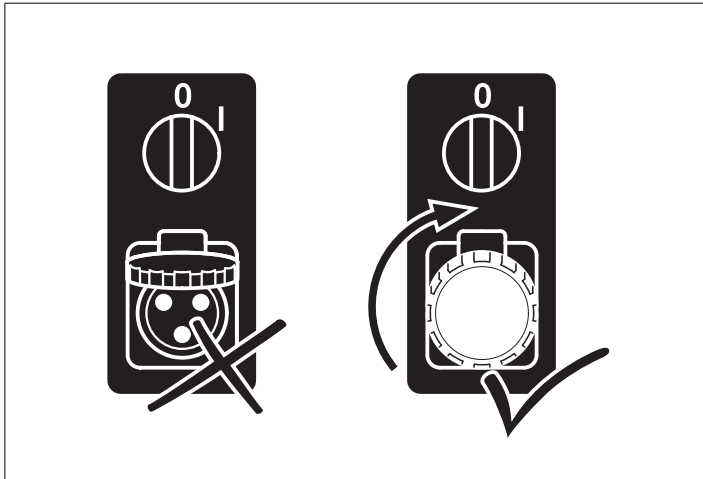
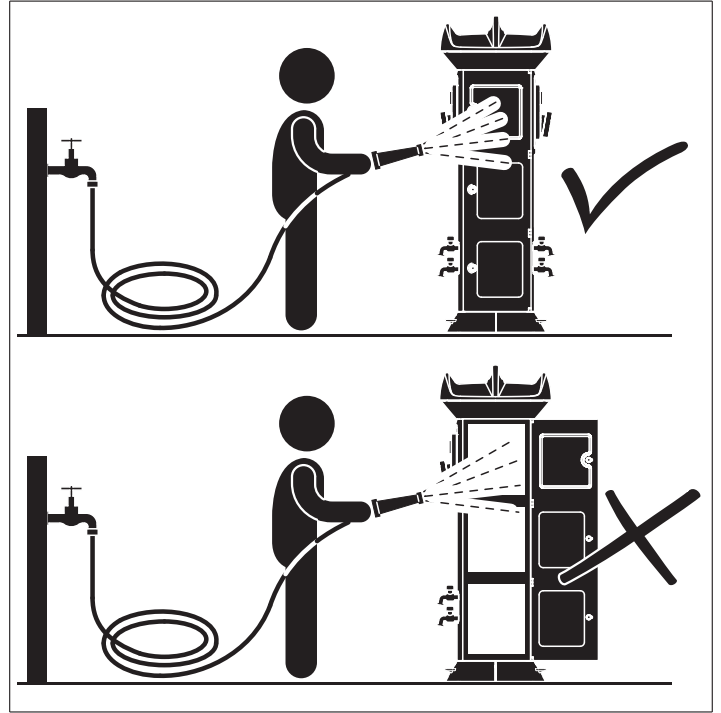
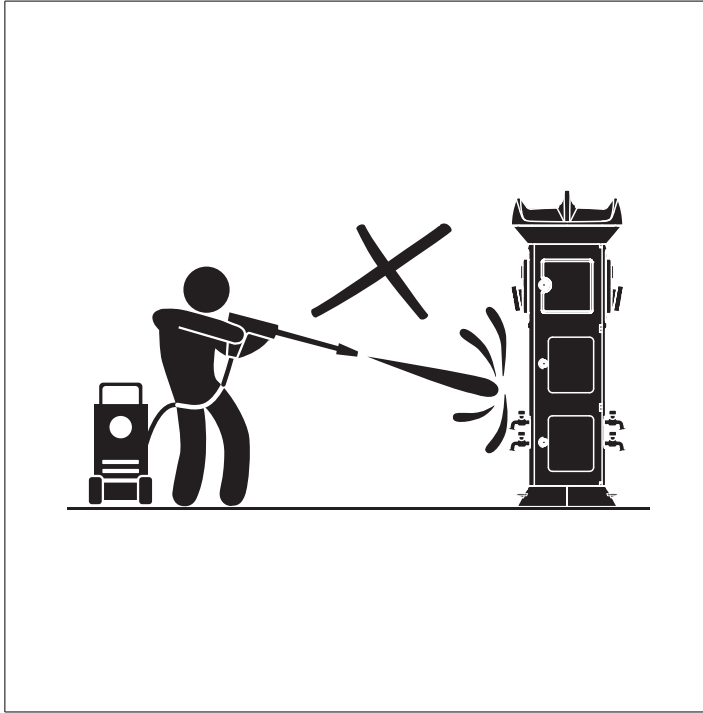
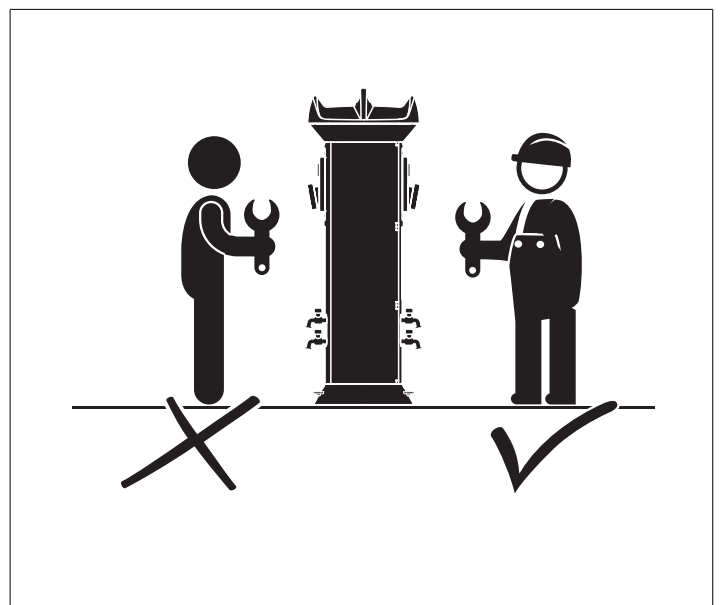
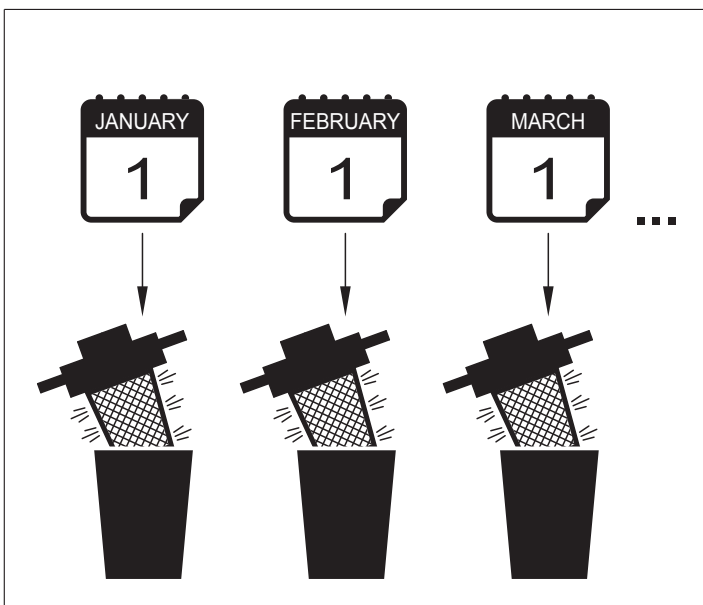
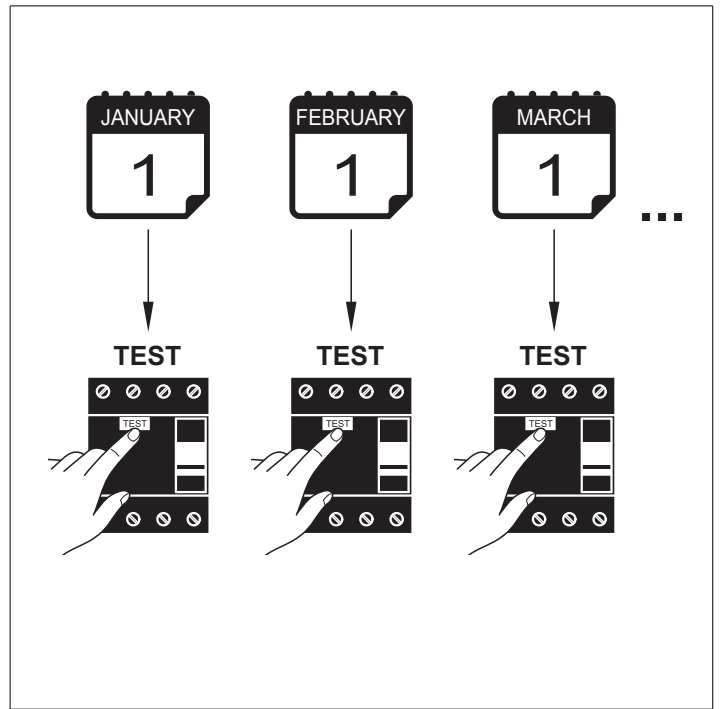
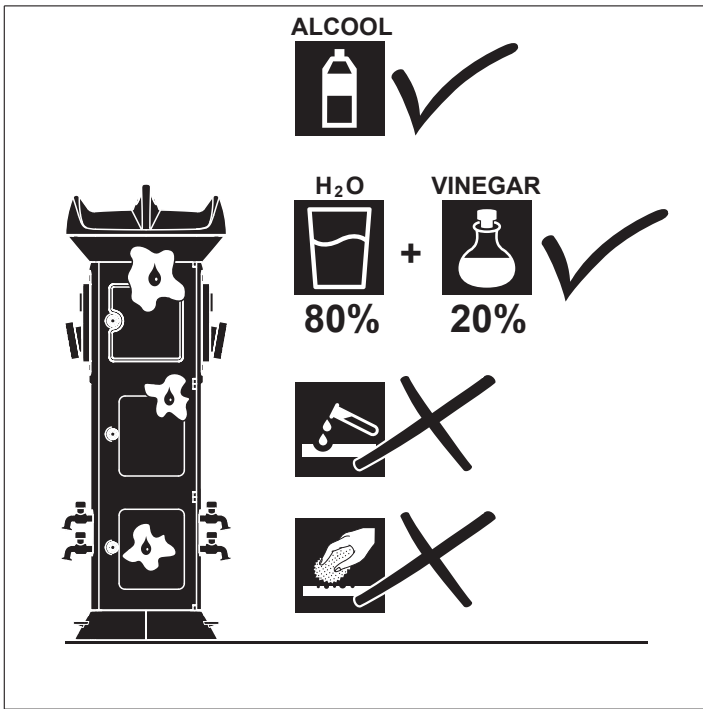
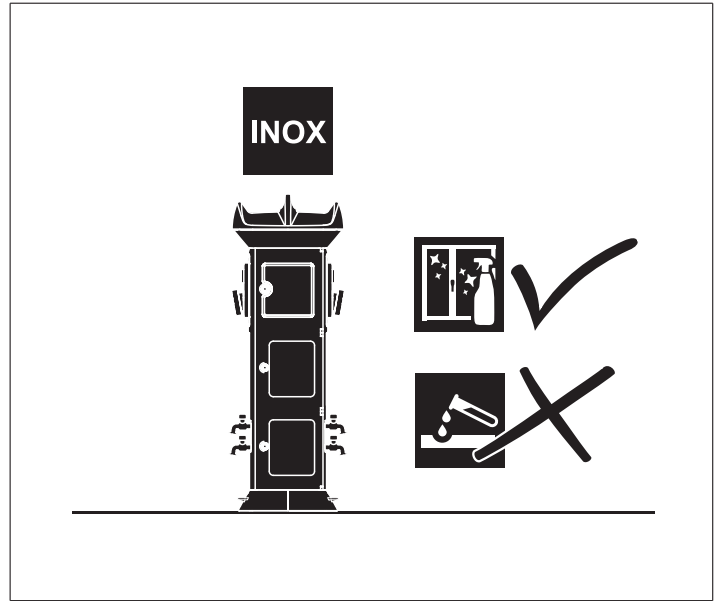
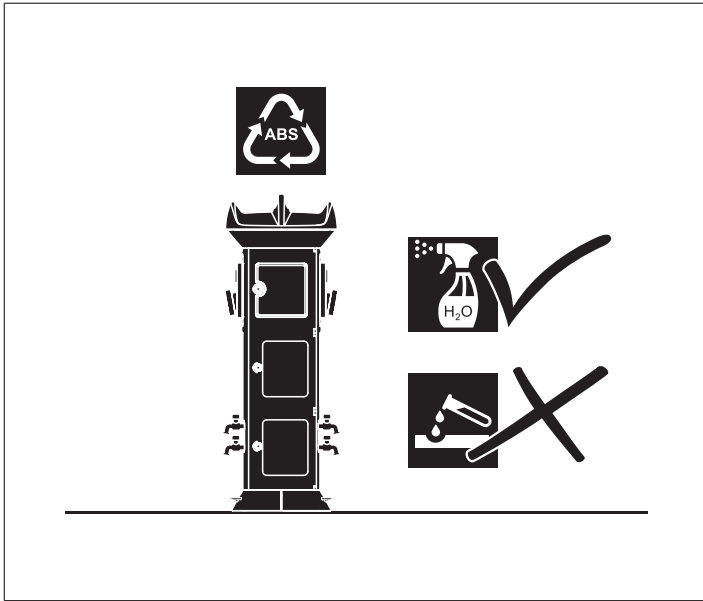
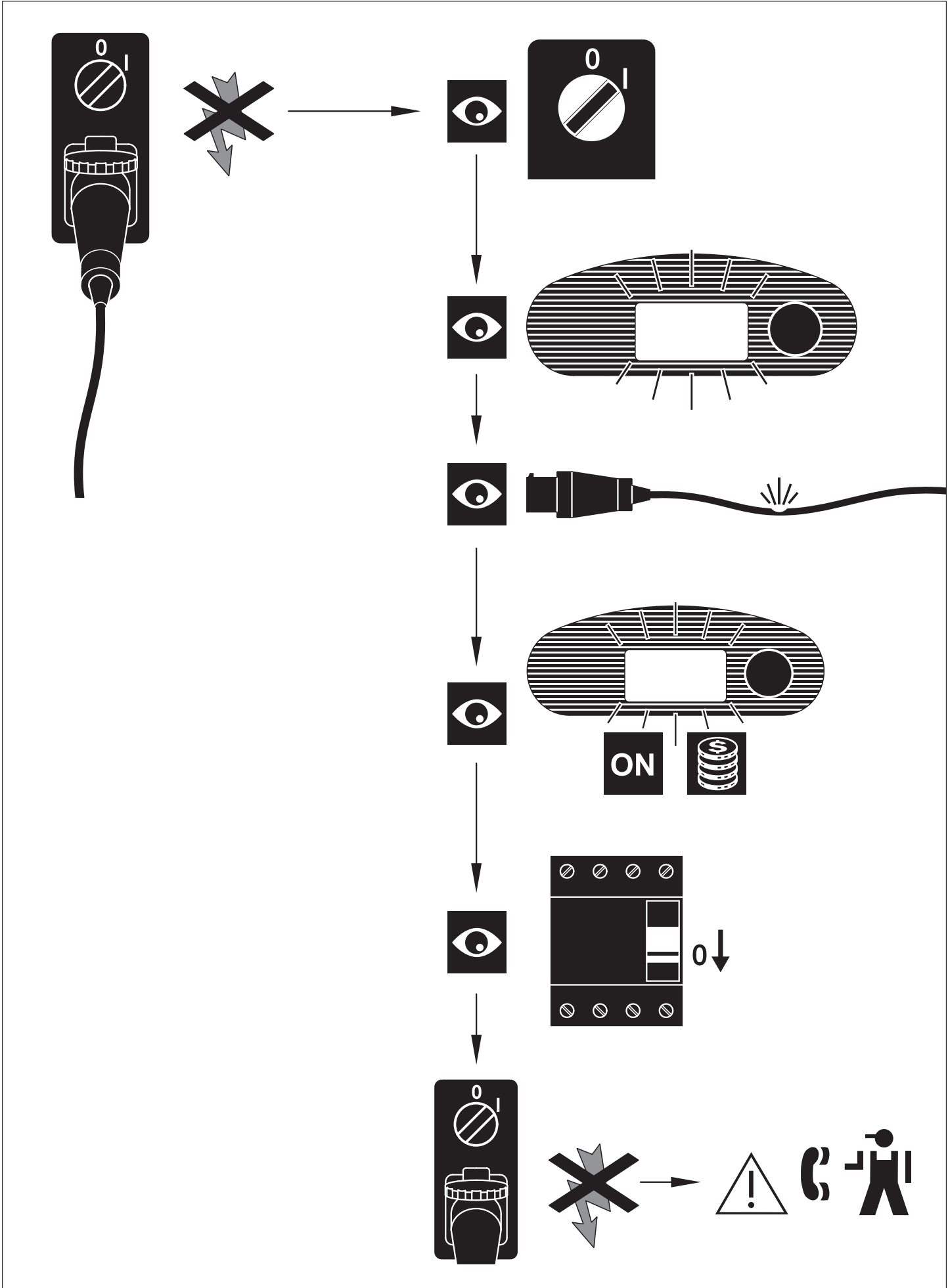
	<p>CEI EN 60439</p> <p>IP56</p> <p>-5°C+65°C</p> <p>IK09-IK10</p> <p>GWT(°C)</p> <p>850° 650°</p> <p>98%</p>		<p>EN 60309</p> <p>16-32-63-125A</p> <p>230-400V</p> <p>50/60Hz</p> <p>IP 44-55-67</p>
	<p>8,7W</p> <p>4000K/230V - 50Hz</p>	 <p>x 4</p>	<p>G 1/2</p>
	<p>400V</p> <p>50/60Hz</p>		<p>2°C - 70° C</p> <p>0.2 - 10 bar</p>
	<p>R,S,T,N,PE</p> <p>16mm<sup>2</sup></p> <p>35mm<sup>2</sup></p> <p>70mm<sup>2</sup></p>		<p>+/- 6VDC</p> <p>10mA</p> <p>0 - 10 bar</p>



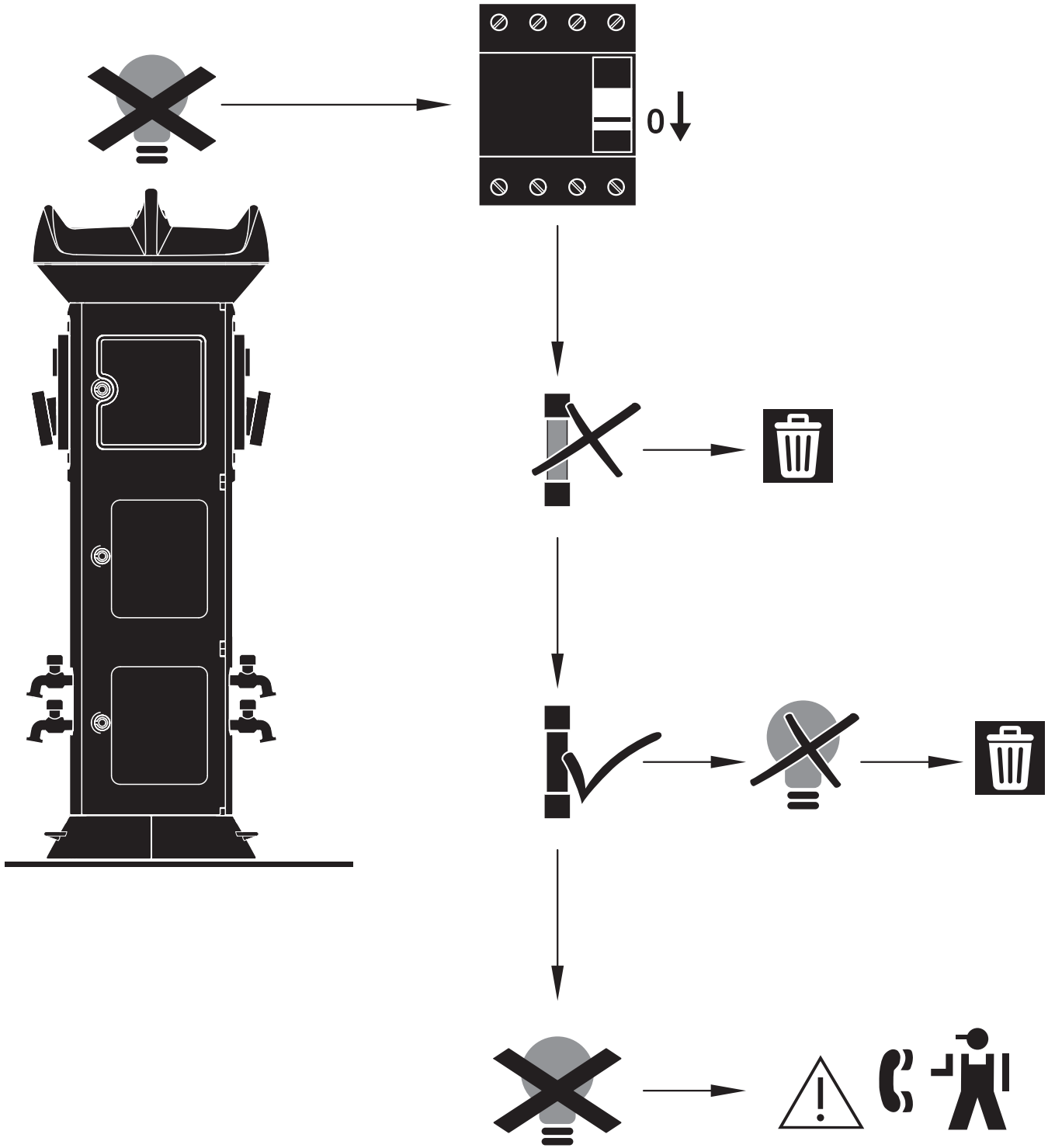


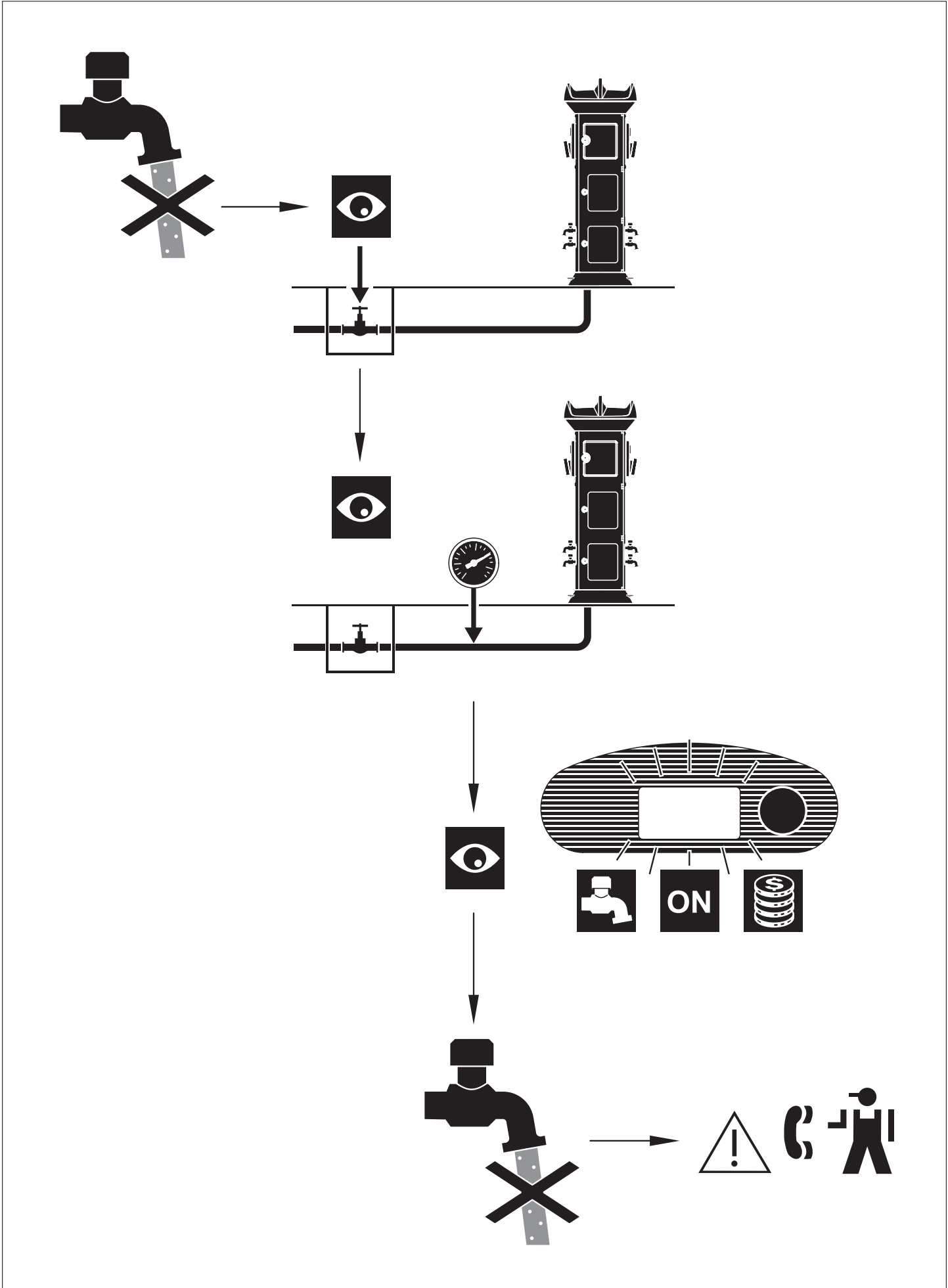










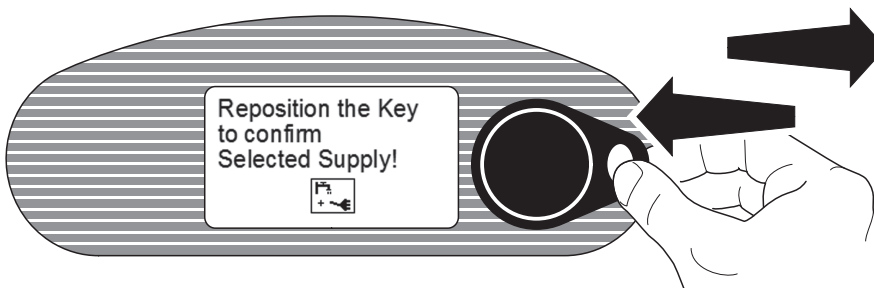
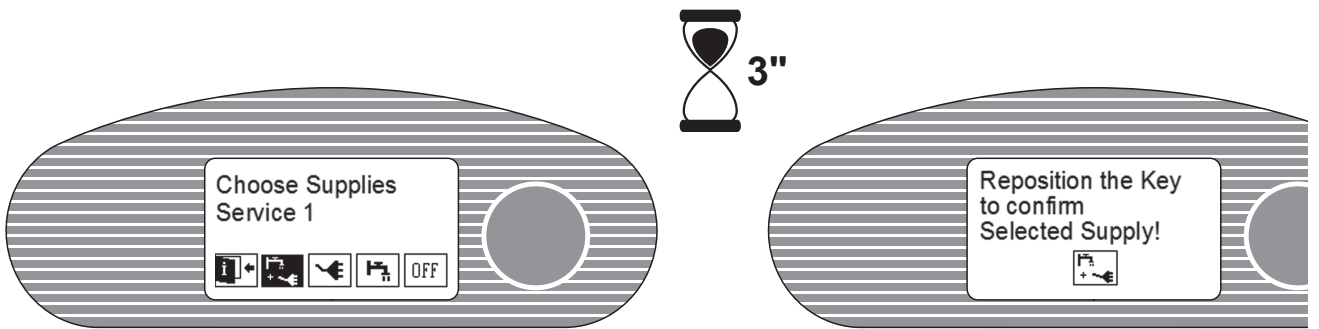
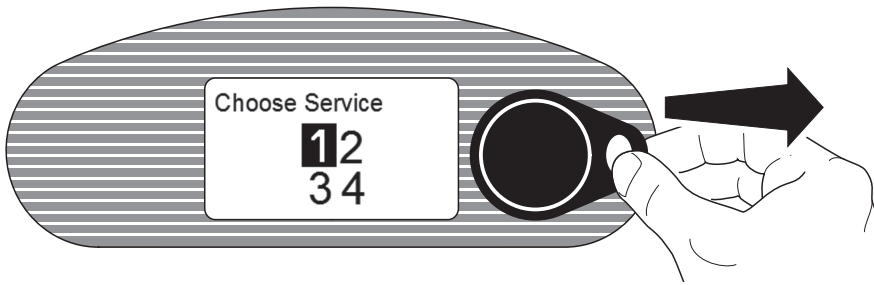
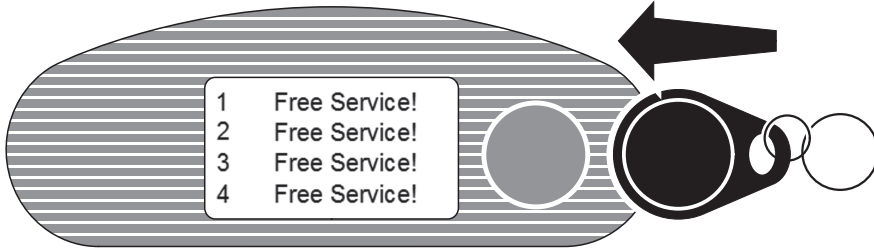




&

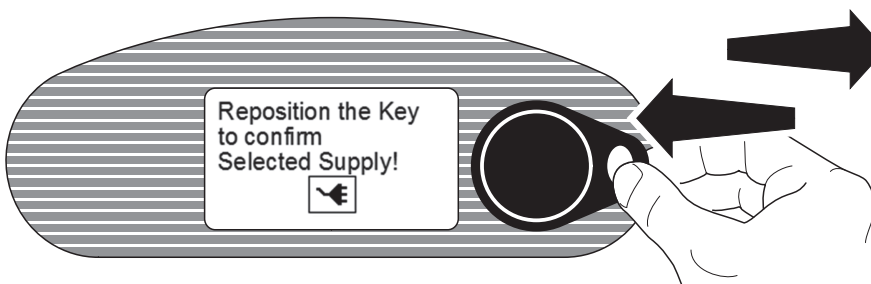
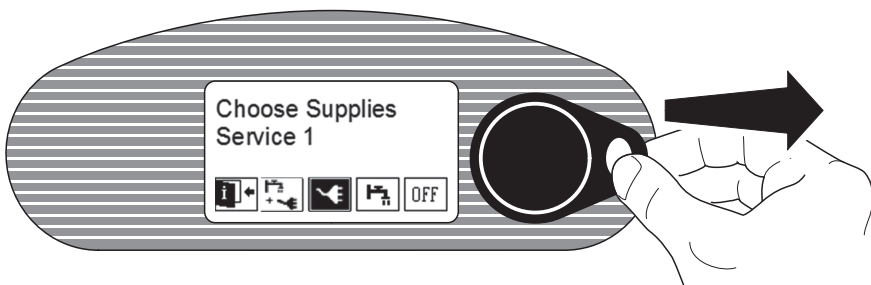
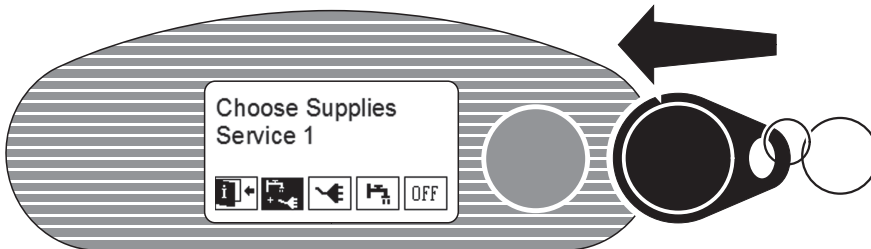
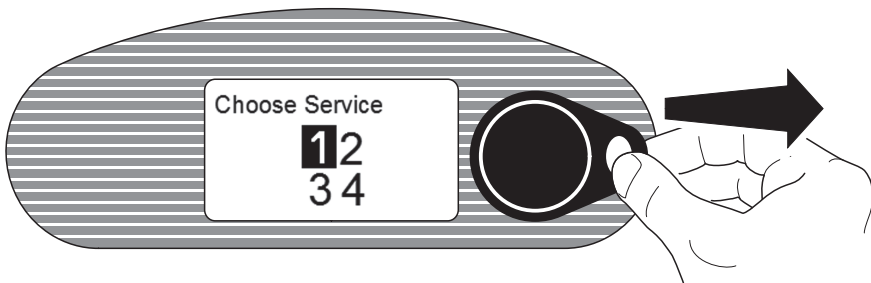
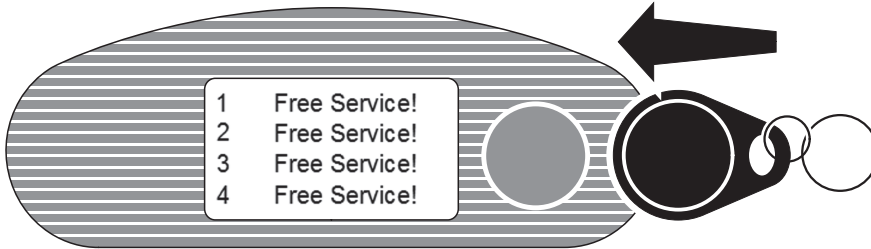


**ON**



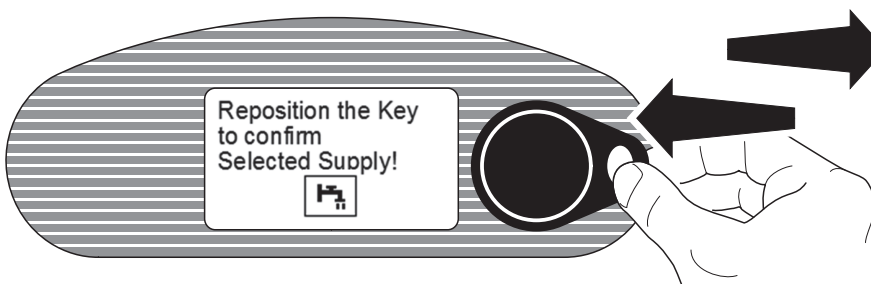
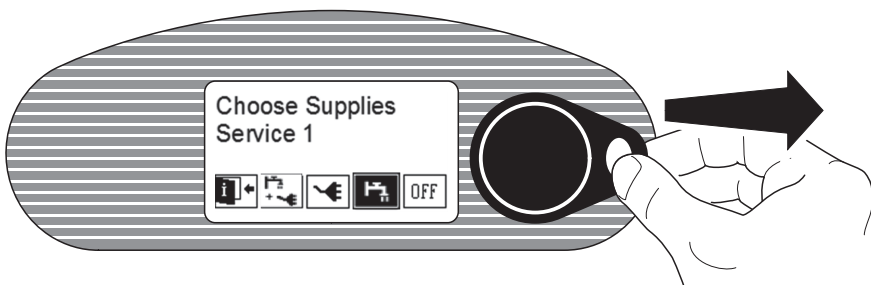
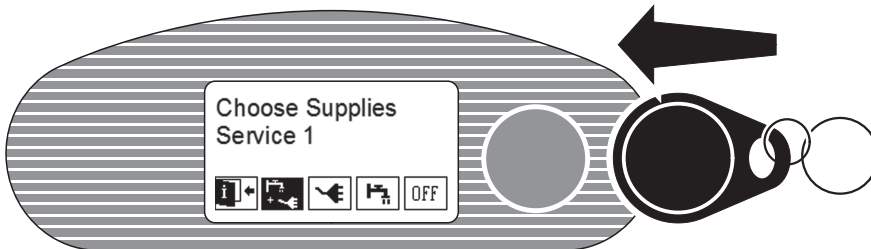
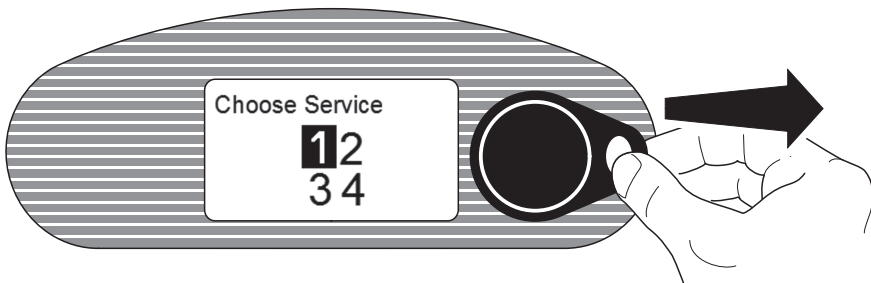
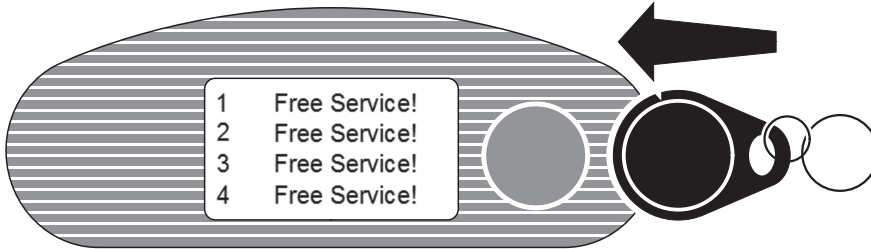


**ON**





**ON**

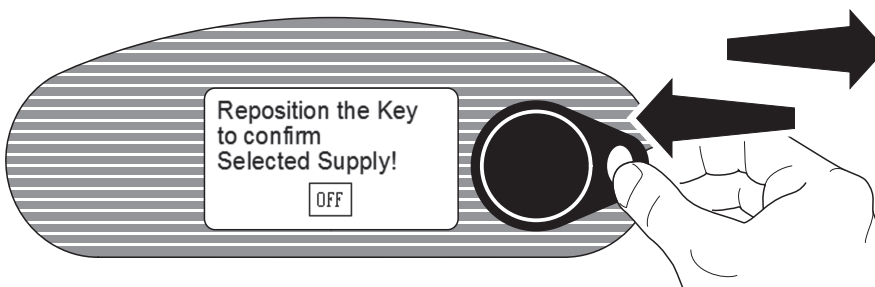
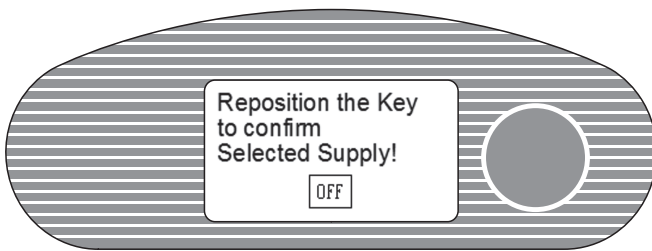
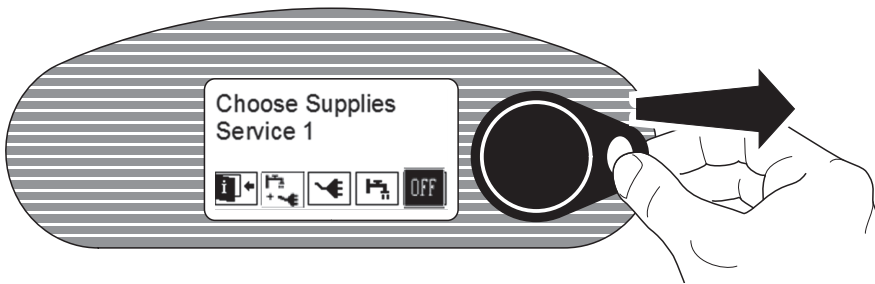
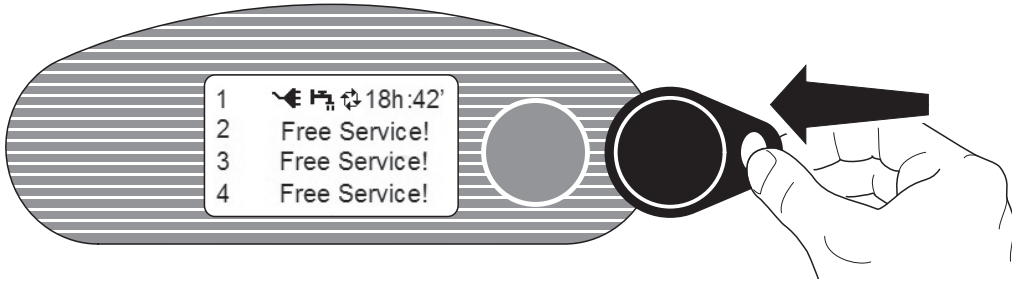


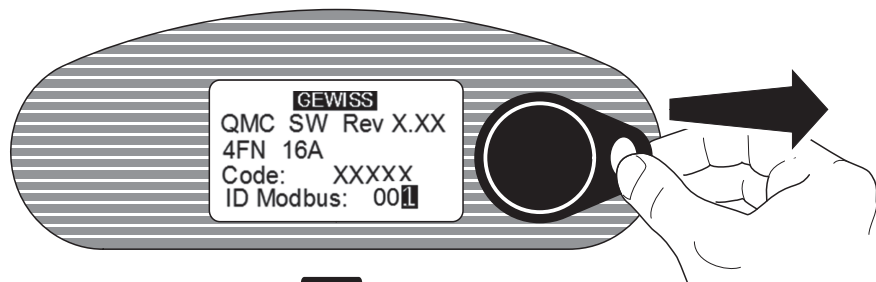
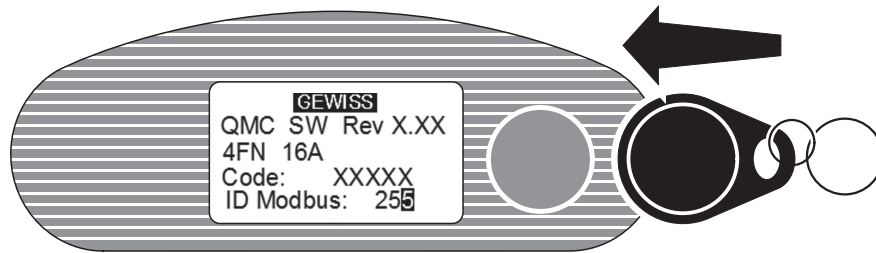
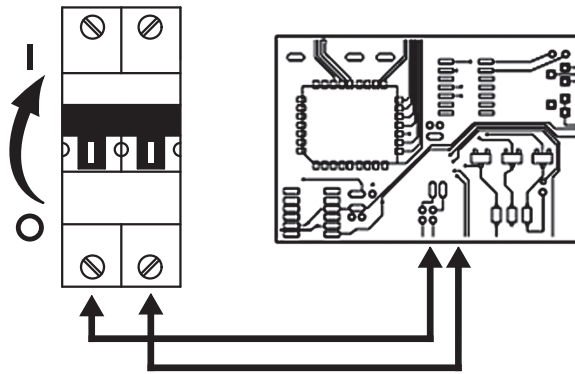
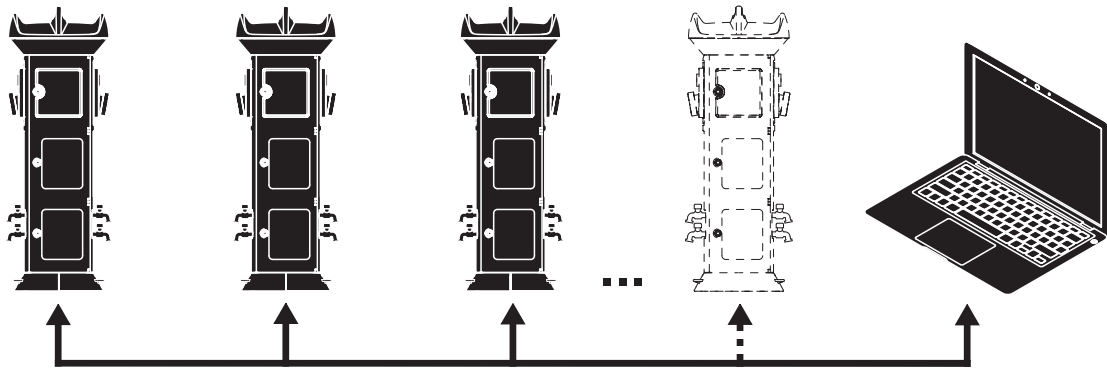


&



OFF





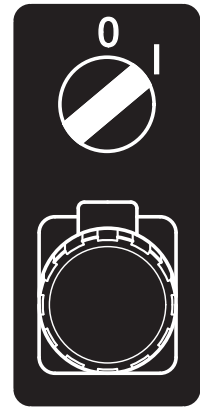
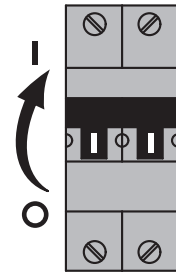


1 18h:42'

2

3 (C.Break)

4 Free Service!

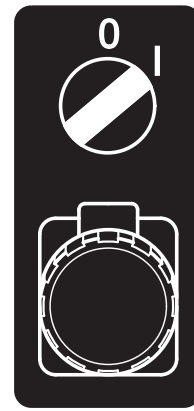
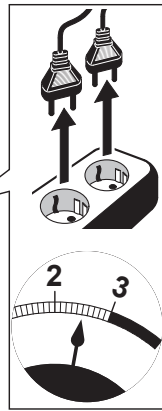
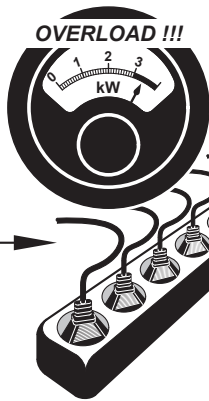


1 18h:42'

2 (Overload)

3 Free Service!

4 Free Service!



1 Out of credit

2

3 Free Service!

4 Free Service!

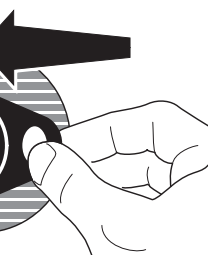


1 Free Service!

2 Free Service!

3 Free Service!

4 Free Service!

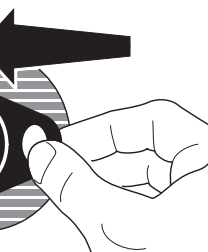


Reposition the Key to confirm

Reposition the key

Reposition the Key to confirm

Reposition the Key



Punto di contatto indicato in adempimento ai fini delle direttive e regolamenti UE applicabili:  
 Contact details according to the relevant European Directives and Regulations:  
 GEWISS S.p.A. Via D.Bosatelli, 1 IT-24069 Cenate Sotto (BG) Italy tel: +39 035 946 111 E-mail: qualitymarks@gewiss.com

According to applicable UK regulations, the company responsible for placing the goods in UK market is:  
 GEWISS UK LTD - Unity House, Compass Point Business Park, 9 Stocks Bridge Way, ST IVES  
 Cambridgeshire, PE27 5JL, United Kingdom tel: +44 1954 712757 E-mail: gewiss-uk@gewiss.com

**+39 035 946 111**  
 8:30 - 12:30 / 14:00 - 18:00  
 lunedì - venerdì / monday - friday

[www.gewiss.com](http://www.gewiss.com)

