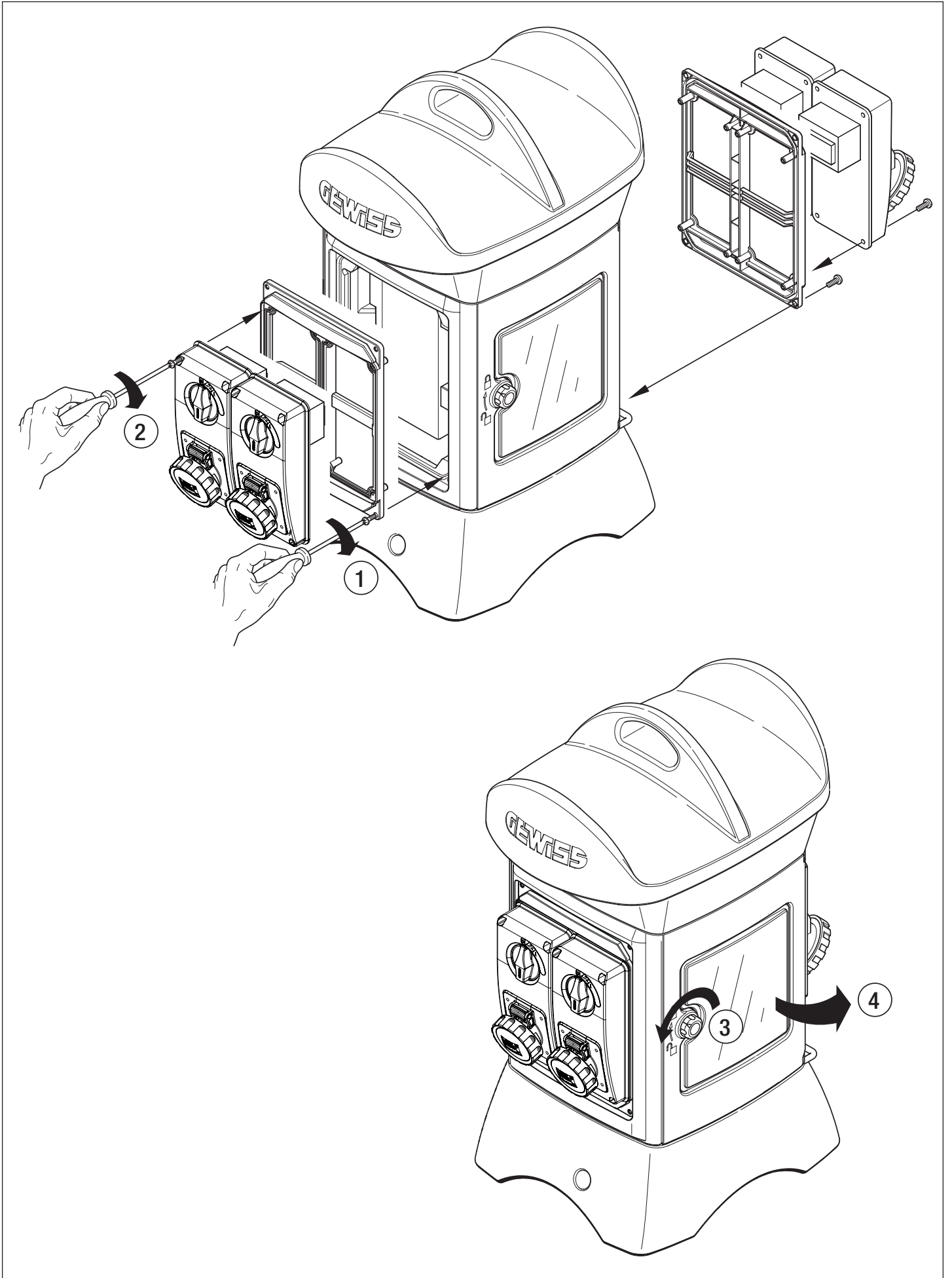


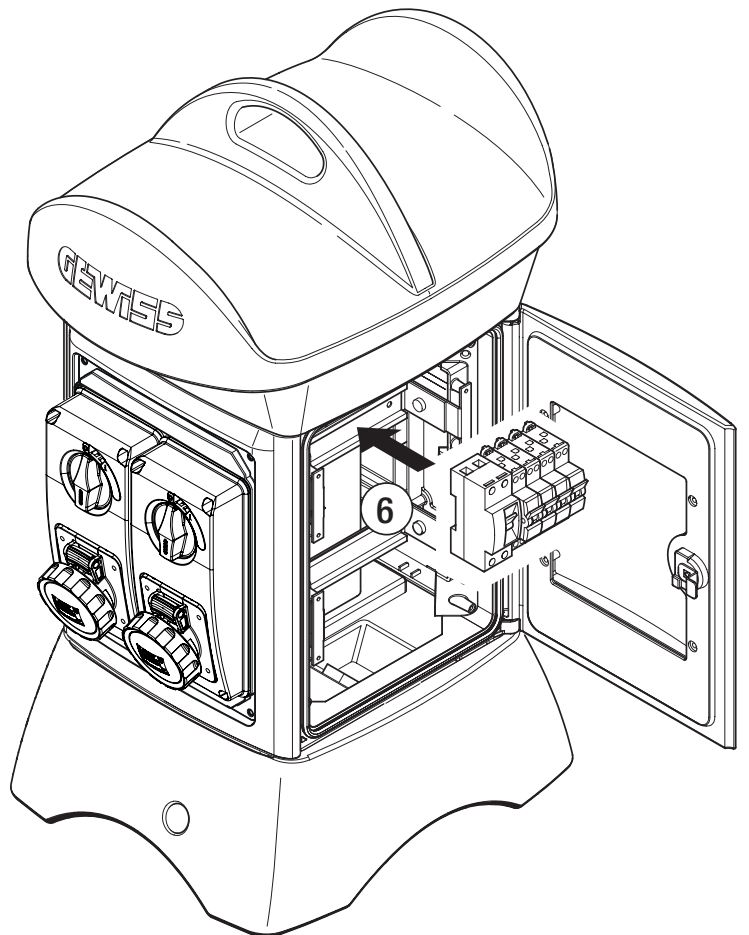
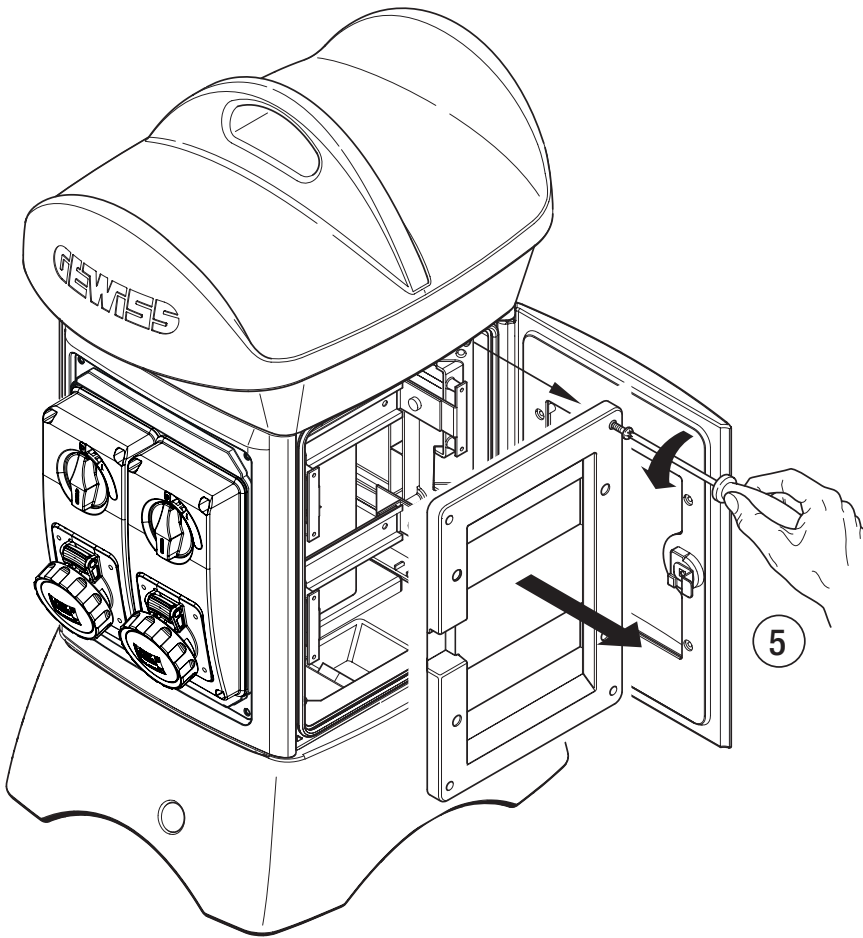


	<b>GW 68 745A/W</b>		67 IB IP67 16/32A	
	<b>GW 68 746A/W</b>	2	44 IB IP44 16/32A	
	<b>GW 68 747A/W</b>	2	COMBIBLOC	1  +
	<b>GW 68 748A/W</b>			4  +
	<b>GW 68 750A/W</b>			

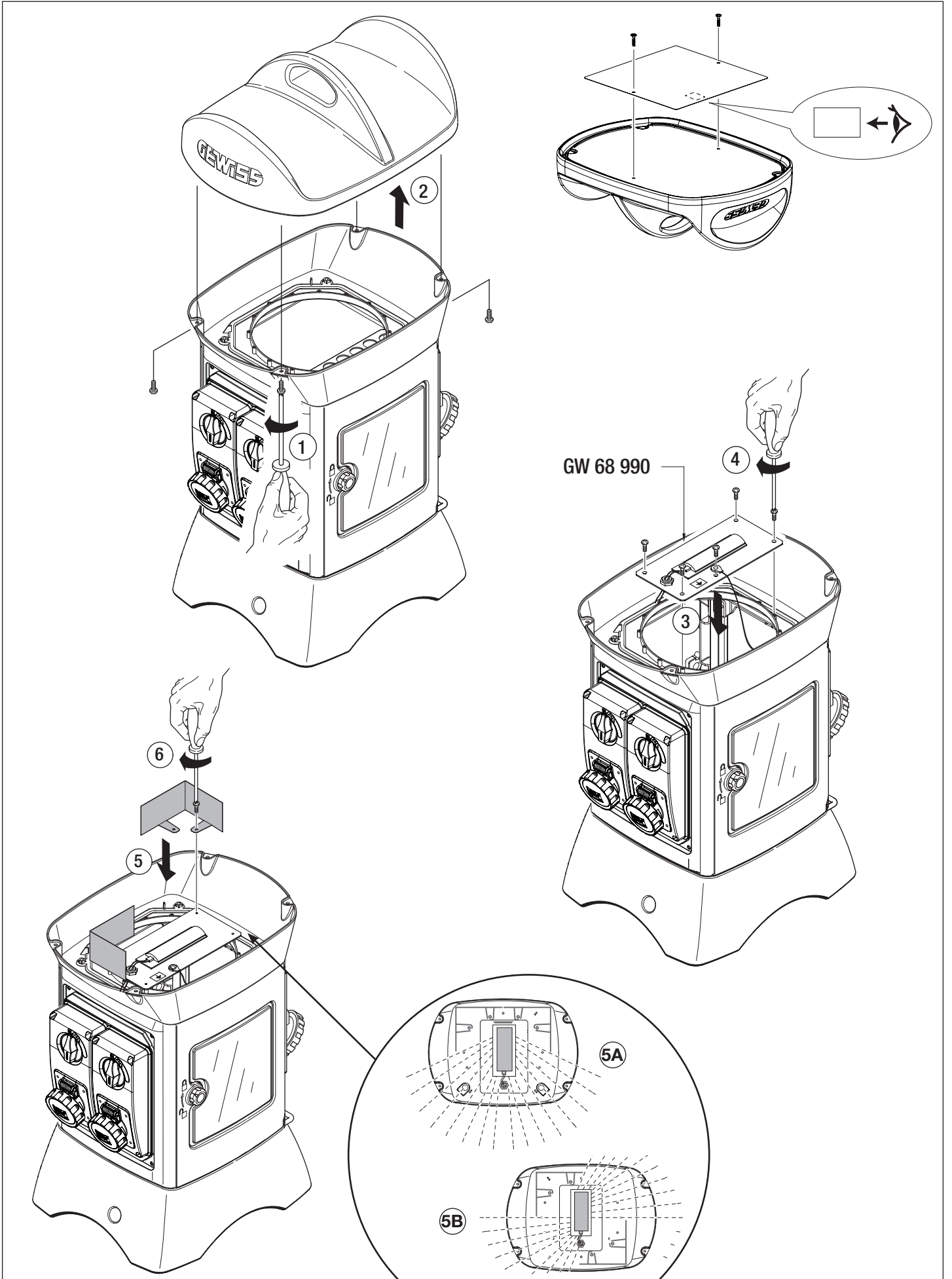
	<b>GW 68 790</b> FSS 16W 835 2PIN GR8
	<b>GW 68 990</b> 8,7W
	<b>GW 68 776</b>
	<b>GW 68 788</b>

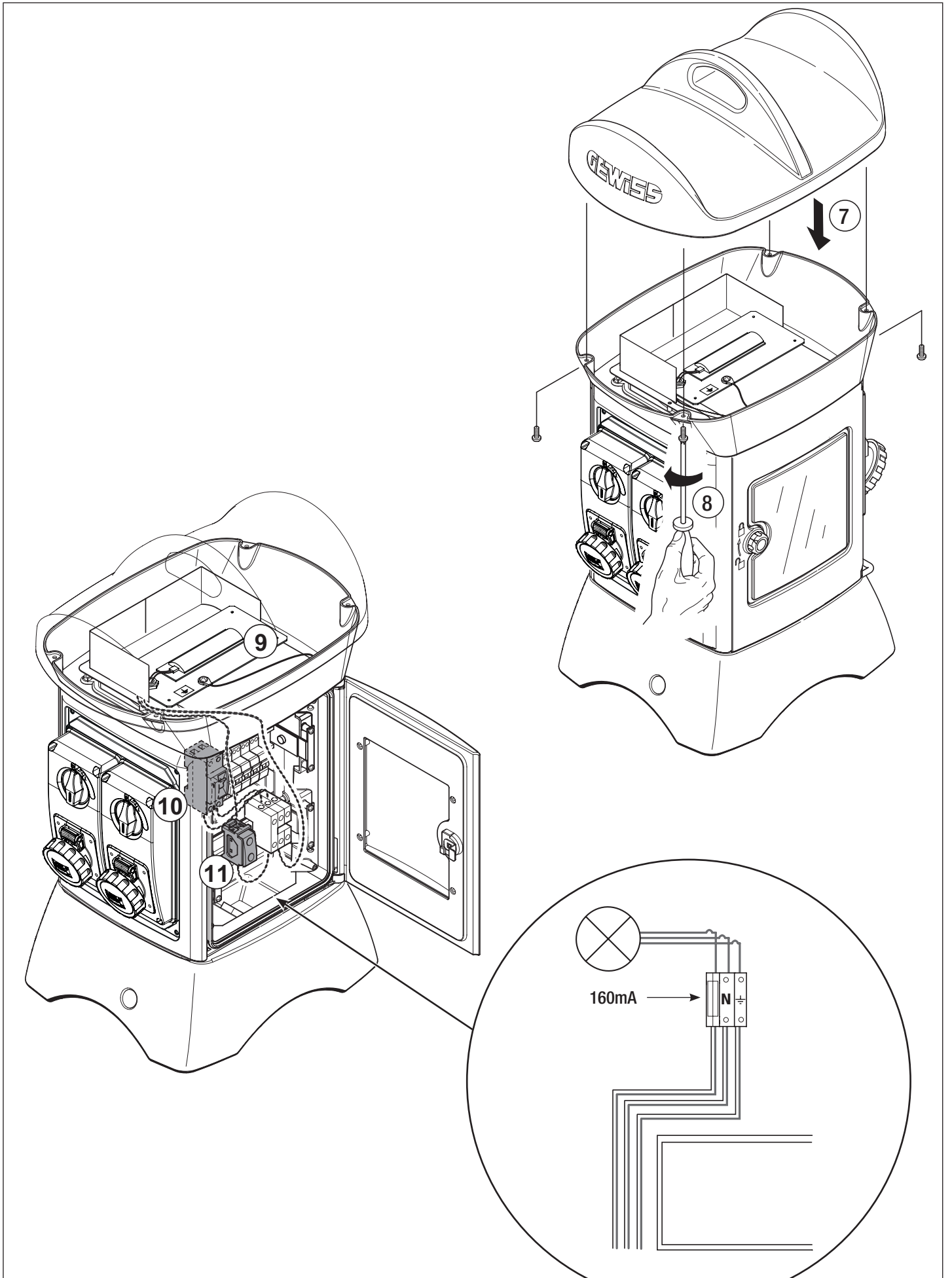
A1		2
B1	ø9	4
B2	M8	4

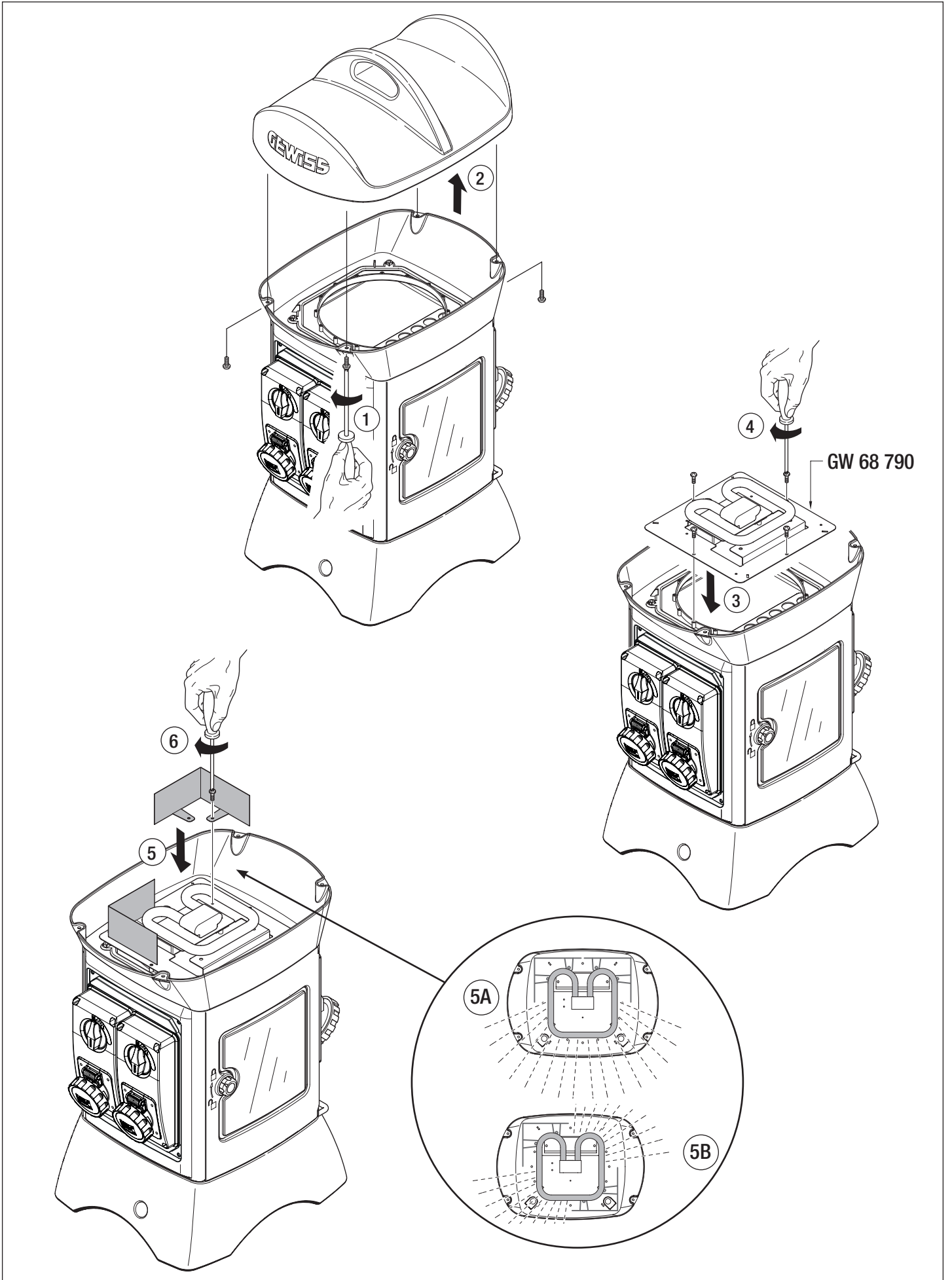


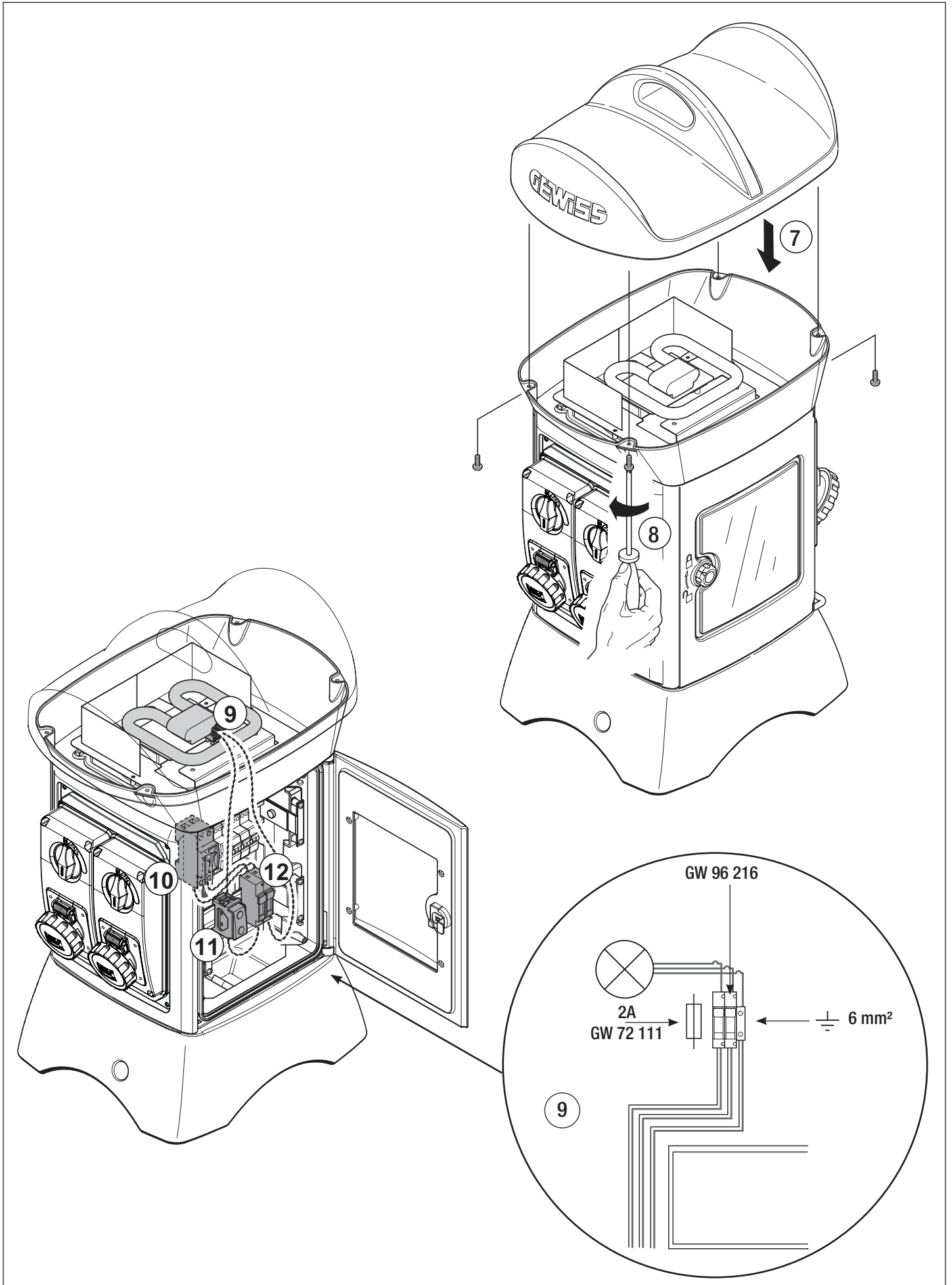


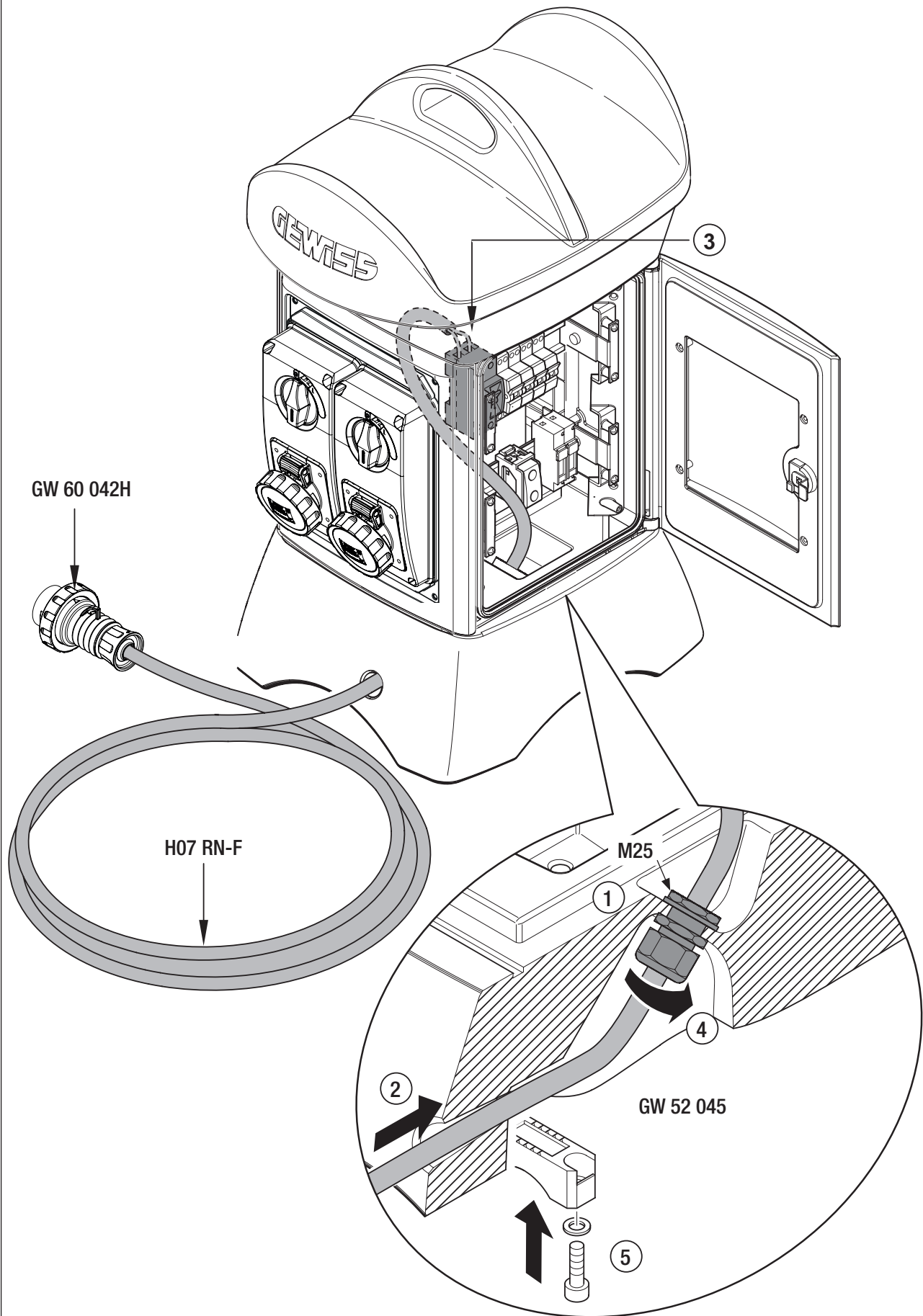


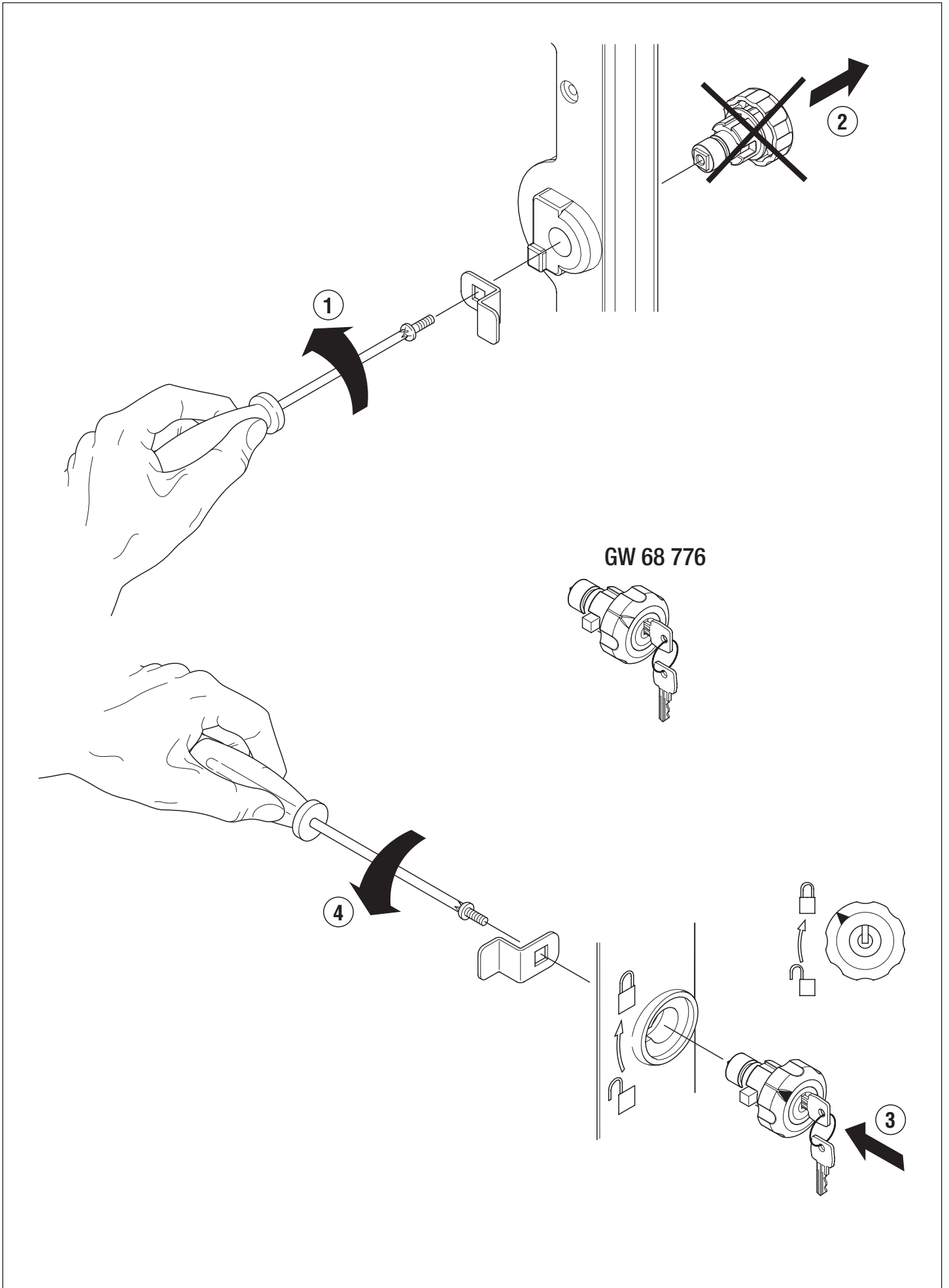




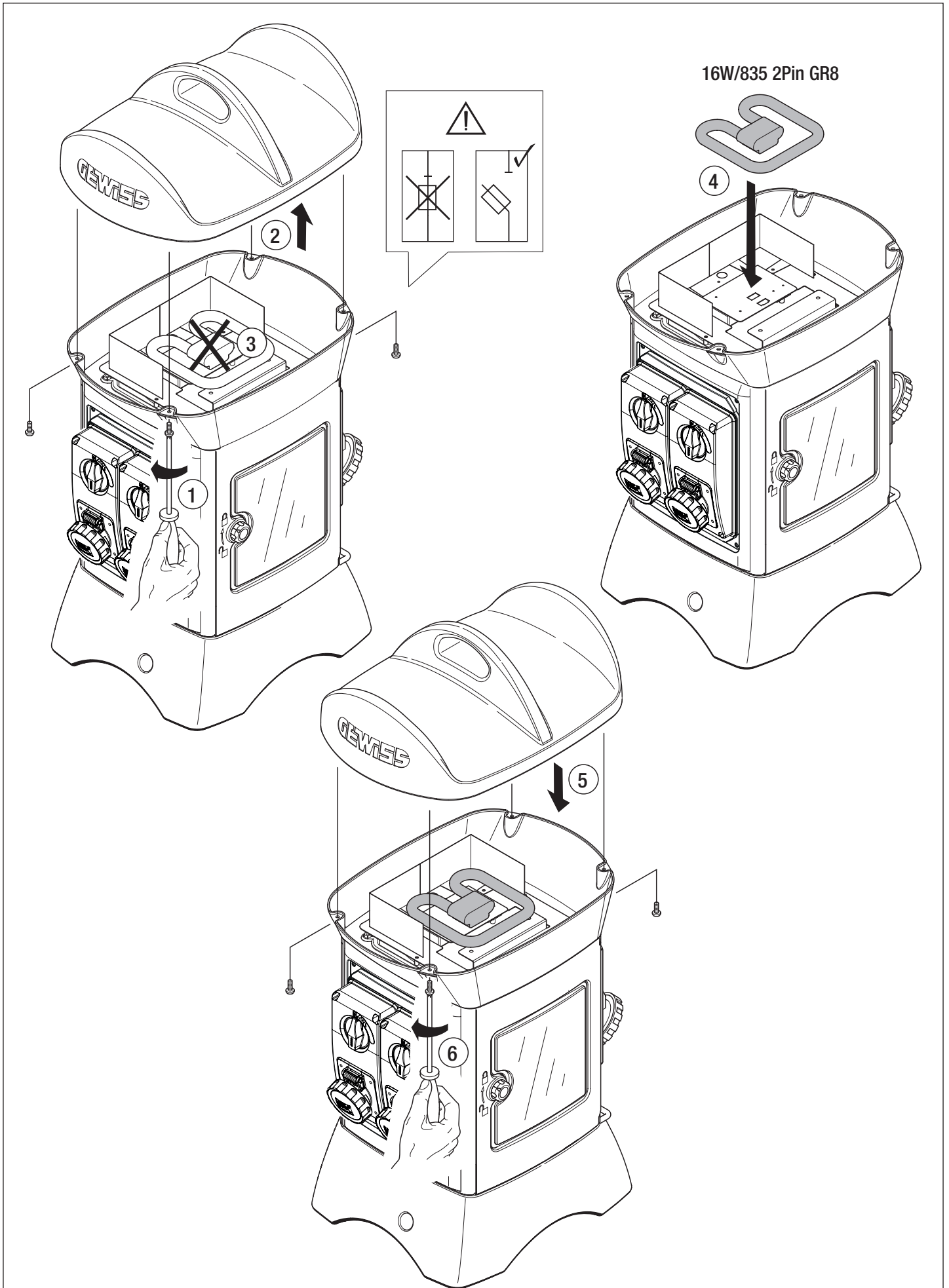


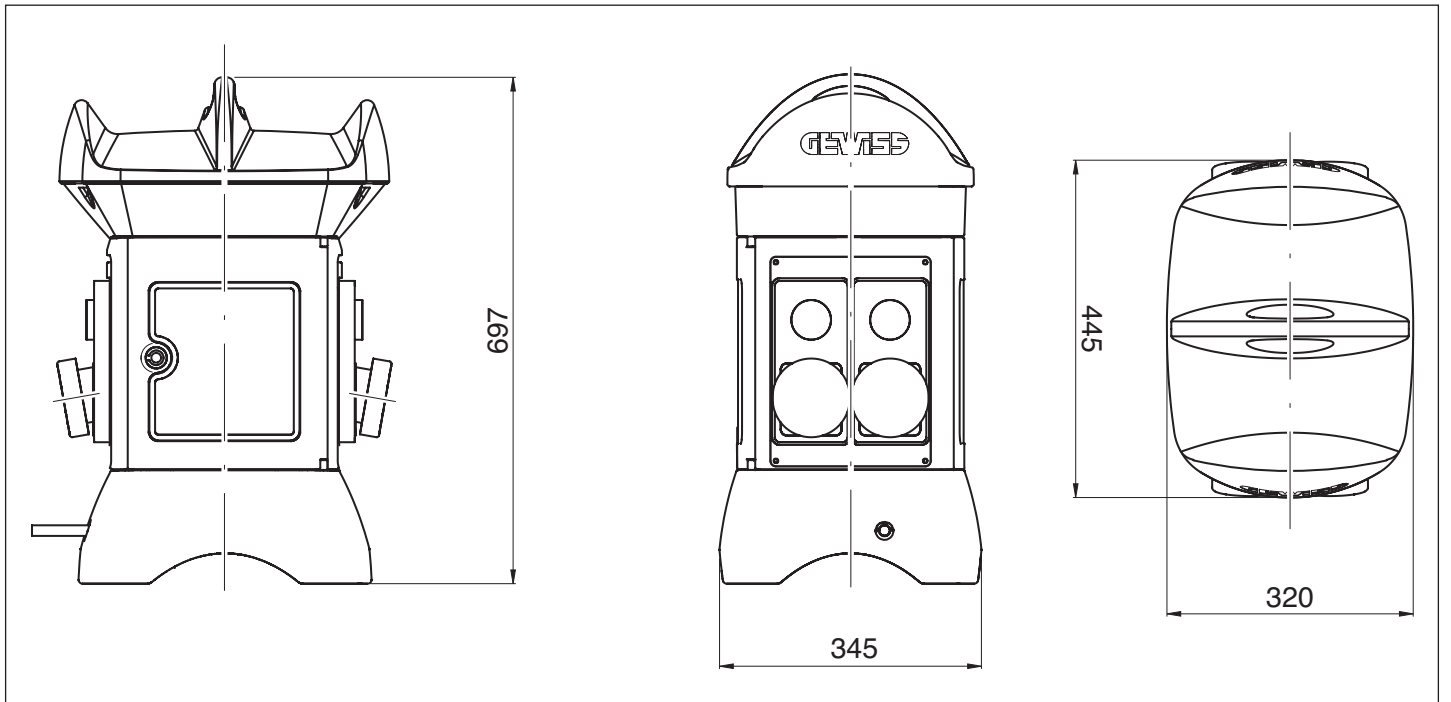
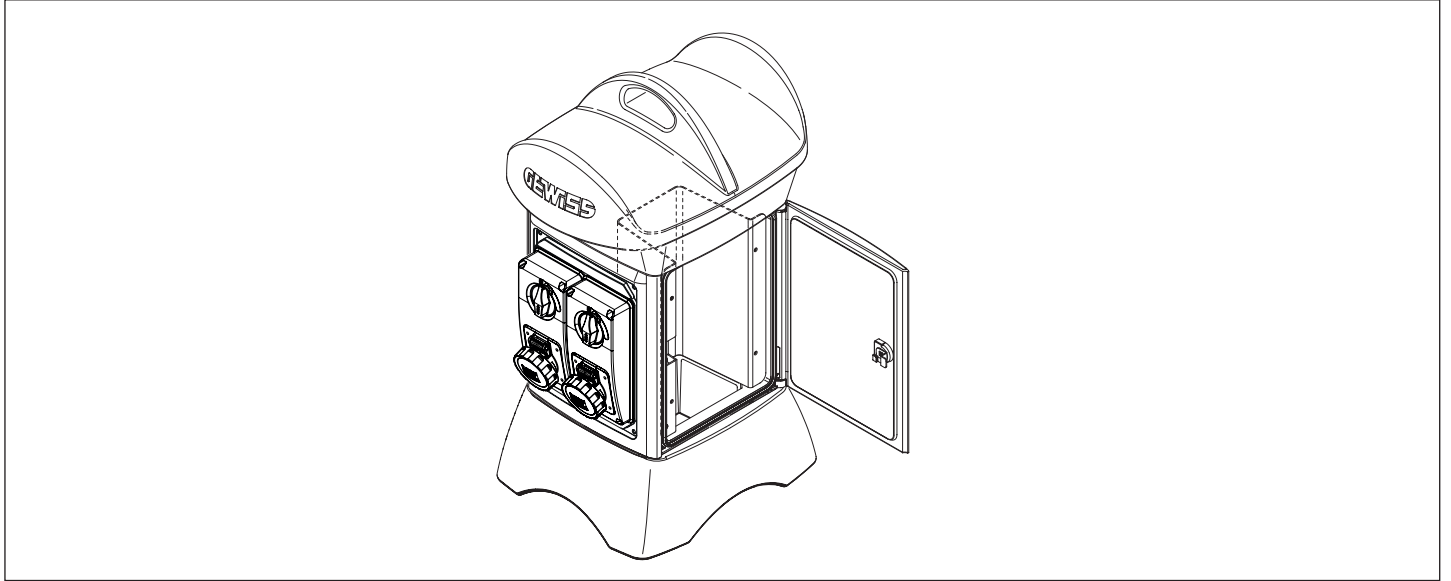












Punto di contatto indicato in adempimento ai fini delle direttive e regolamenti UE applicabili:  
Contact details according to the relevant European Directives and Regulations:  
GEWISS S.p.A. Via D.Bosatelli, 1 IT-24069 Cenate Sotto (BG) Italy tel: +39 035 946 111 E-mail: qualitymarks@gewiss.com

According to applicable UK regulations, the company responsible for placing the goods in UK market is:  
GEWISS UK LTD - Unity House, Compass Point Business Park, 9 Stocks Bridge Way, ST IVES  
Cambridgeshire, PE27 5JL, United Kingdom tel: +44 1954 712757 E-mail: gewiss-uk@gewiss.com



**+39 035 946 111**

8:30 - 12:30 / 14:00 - 18:00

lunedì - venerdì / monday - friday



[www.gewiss.com](http://www.gewiss.com)

