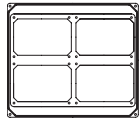
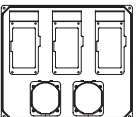


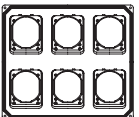


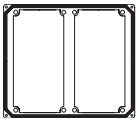
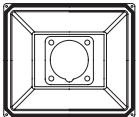


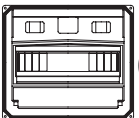
	GW 68 731W	3	67 IB IP67 16/32A	
	GW 68 732W	4	44 IB IP44 16/32A	
	GW 68 733W	3	COMBIBLOC	2  + 
	GW 68 734W			6  + 
	GW 68 735W	2	67 IB IP67 63A	
	GW 68 736W			1 
	GW 68 737A/W			
	GW 68 741A/W		14 DIN RAL 7935	



GW 68 751		GW 68 764	
GW 68 752		GW 68 761	
GW 68 753		GW 68 758	
GW 68 763		GW 68 762	
GW 68 770			

	A		
A1			4
A2	M5x20		6
A3	Ø5x20		2

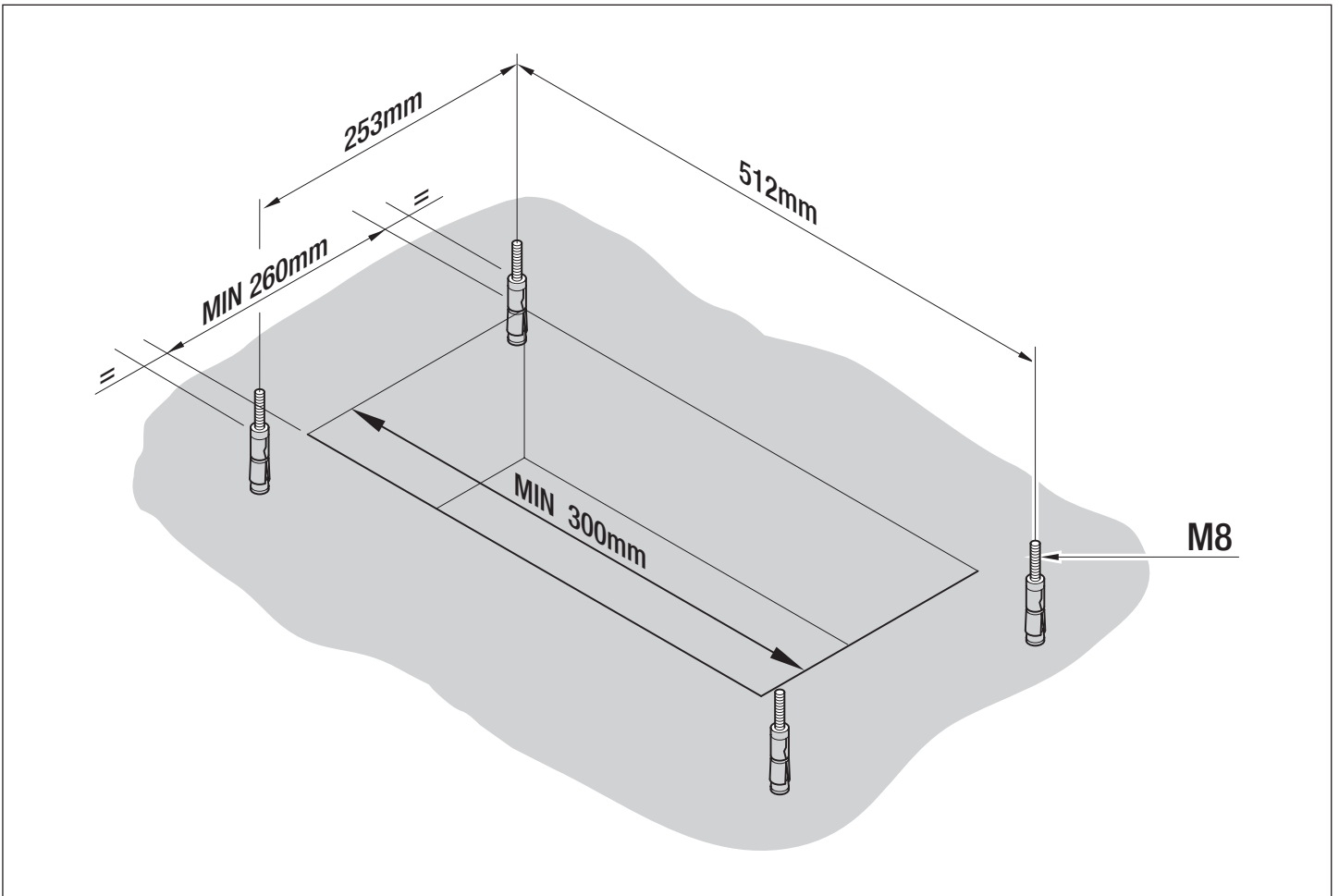
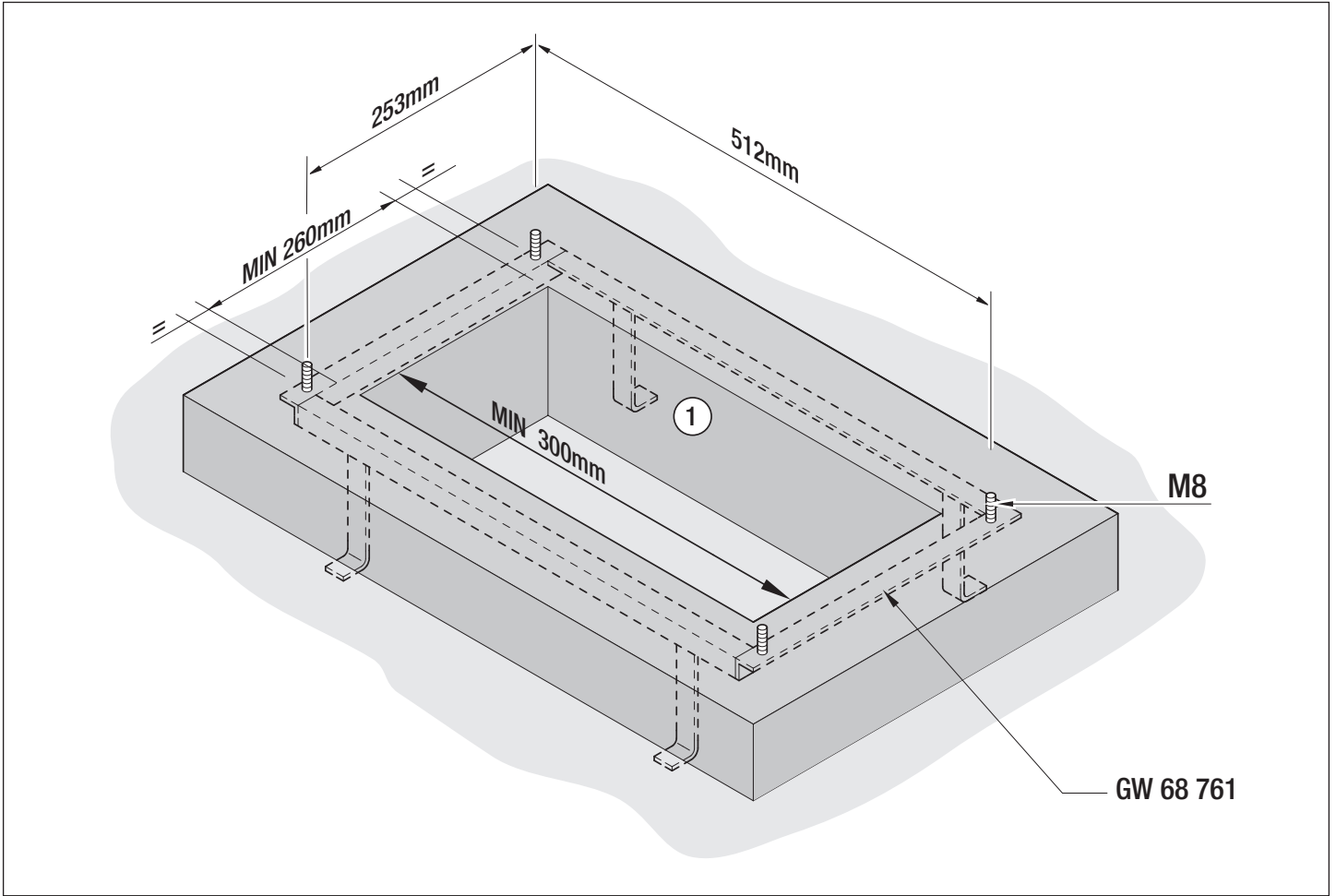
	B		
B1			2
B2	Ø4x13		4
B3	Ø4,3		4
B4	Ø14x16		4

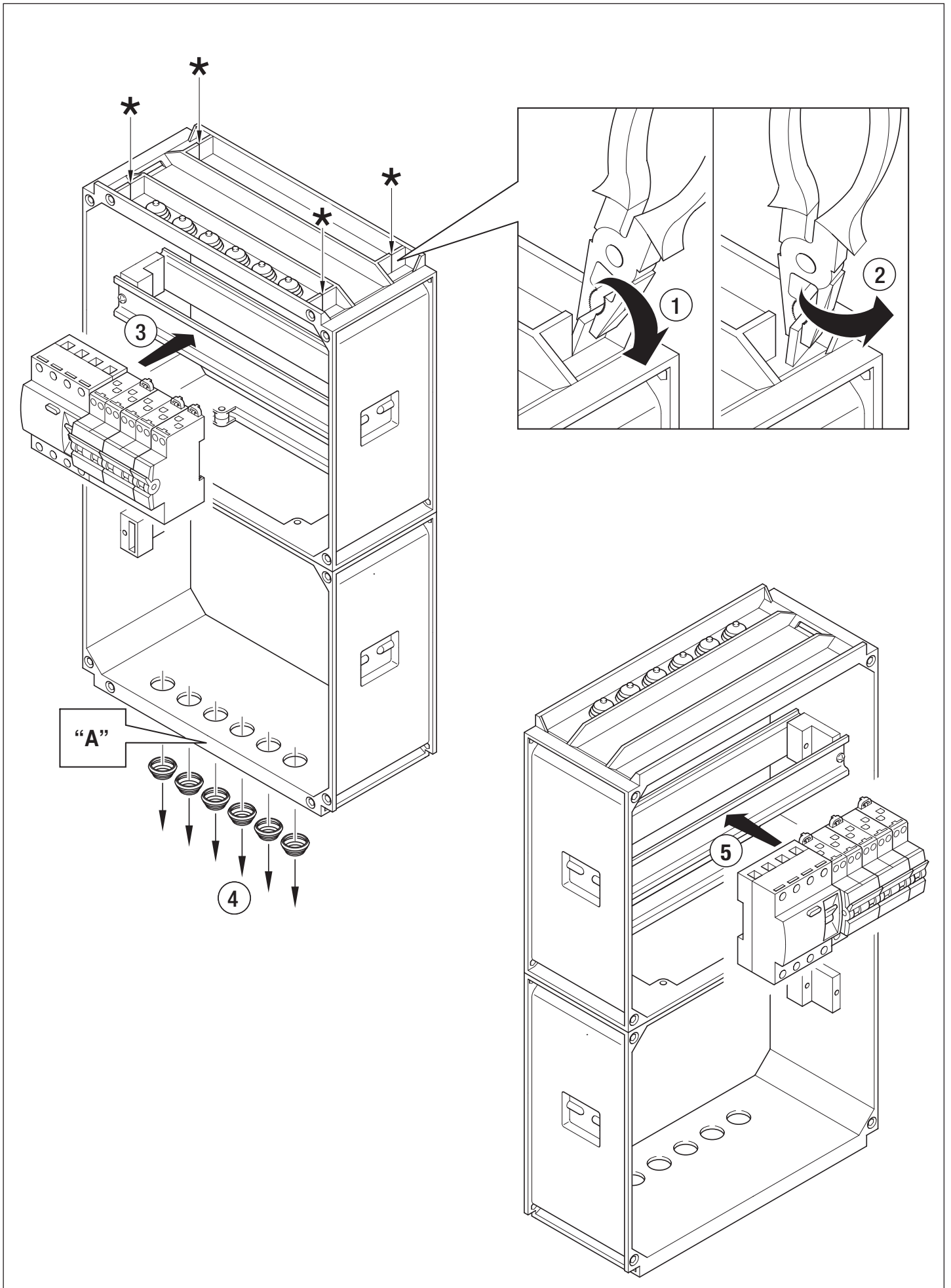
	C		
C1			1
C2	M5x20		4
C3			1

	D		
D1	DX		2
D2	SX		2
D3	M5x20		8
D4	Ø14-16		8
D5	M8		4
D6	Ø9		4

	E		
E1			1 + 1
E2			
E3	M5x20		8

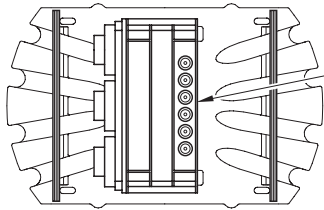
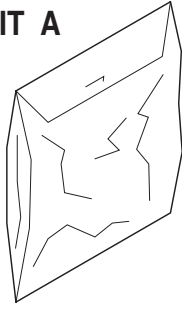
	F		
F1			2



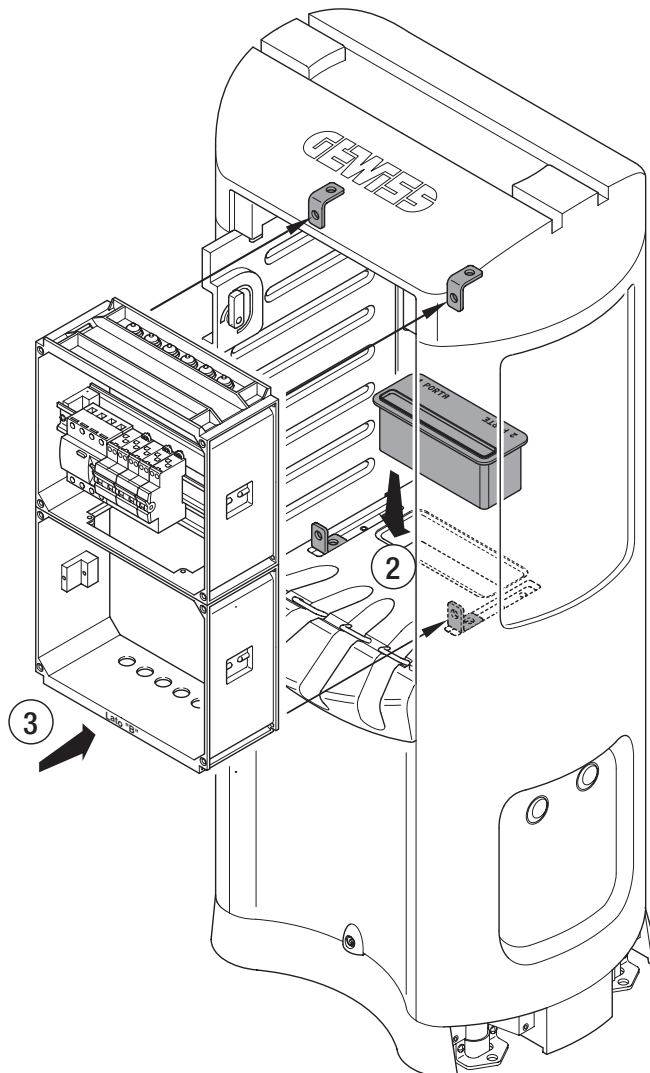
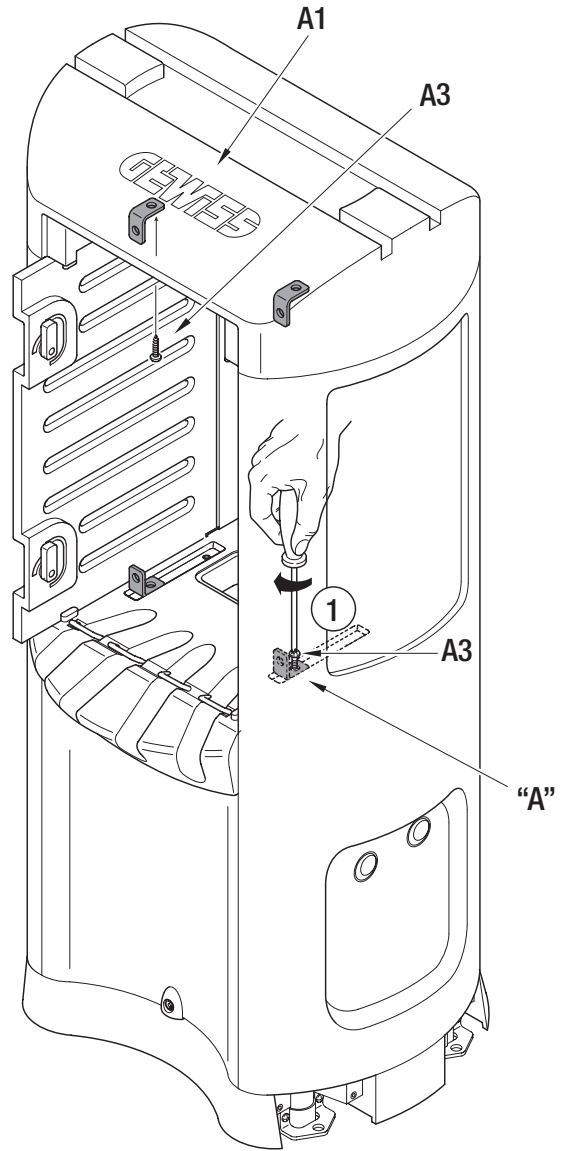


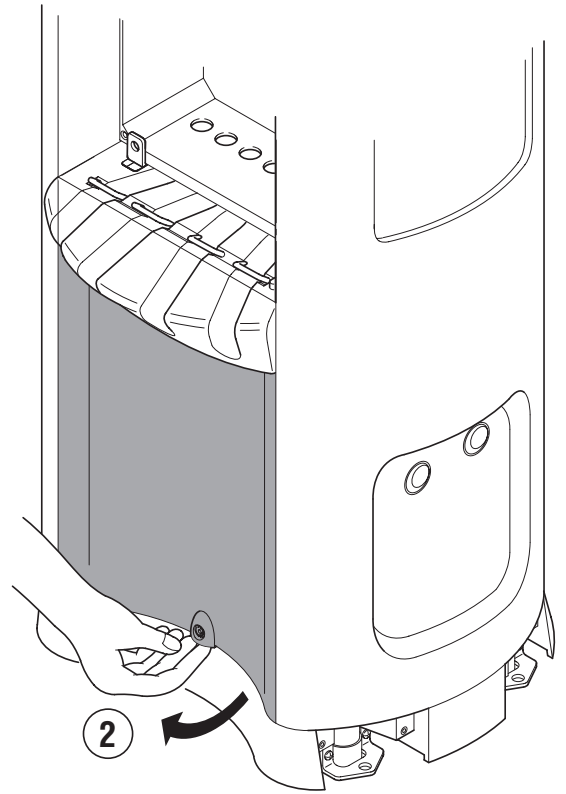
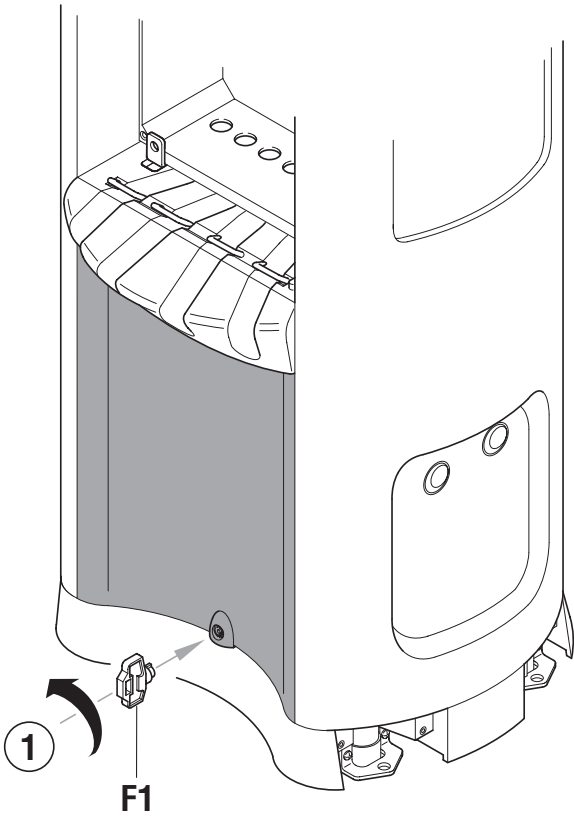


**KIT A**

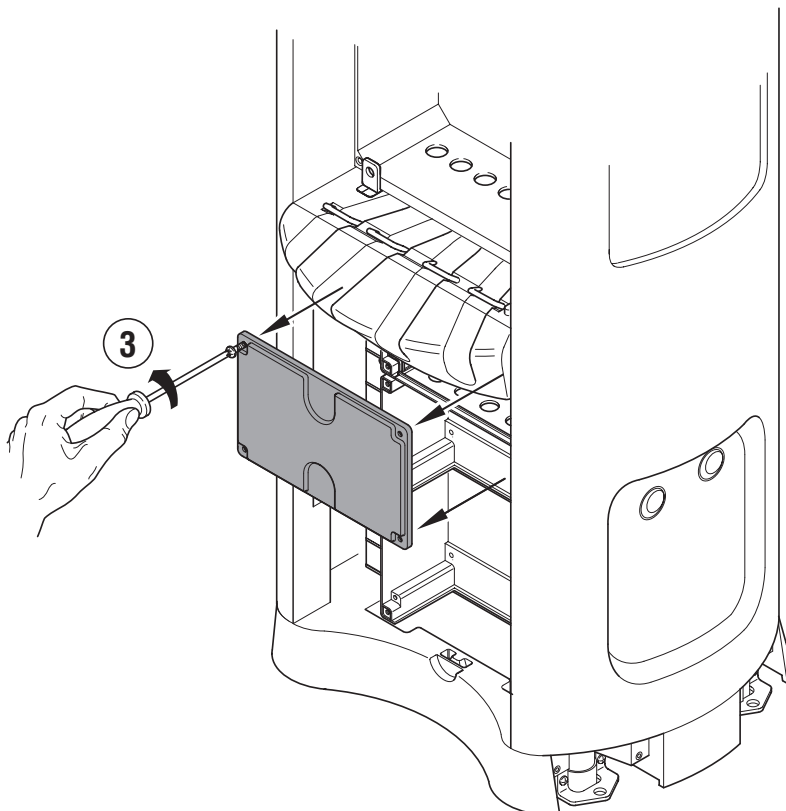
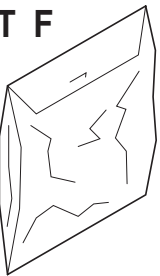


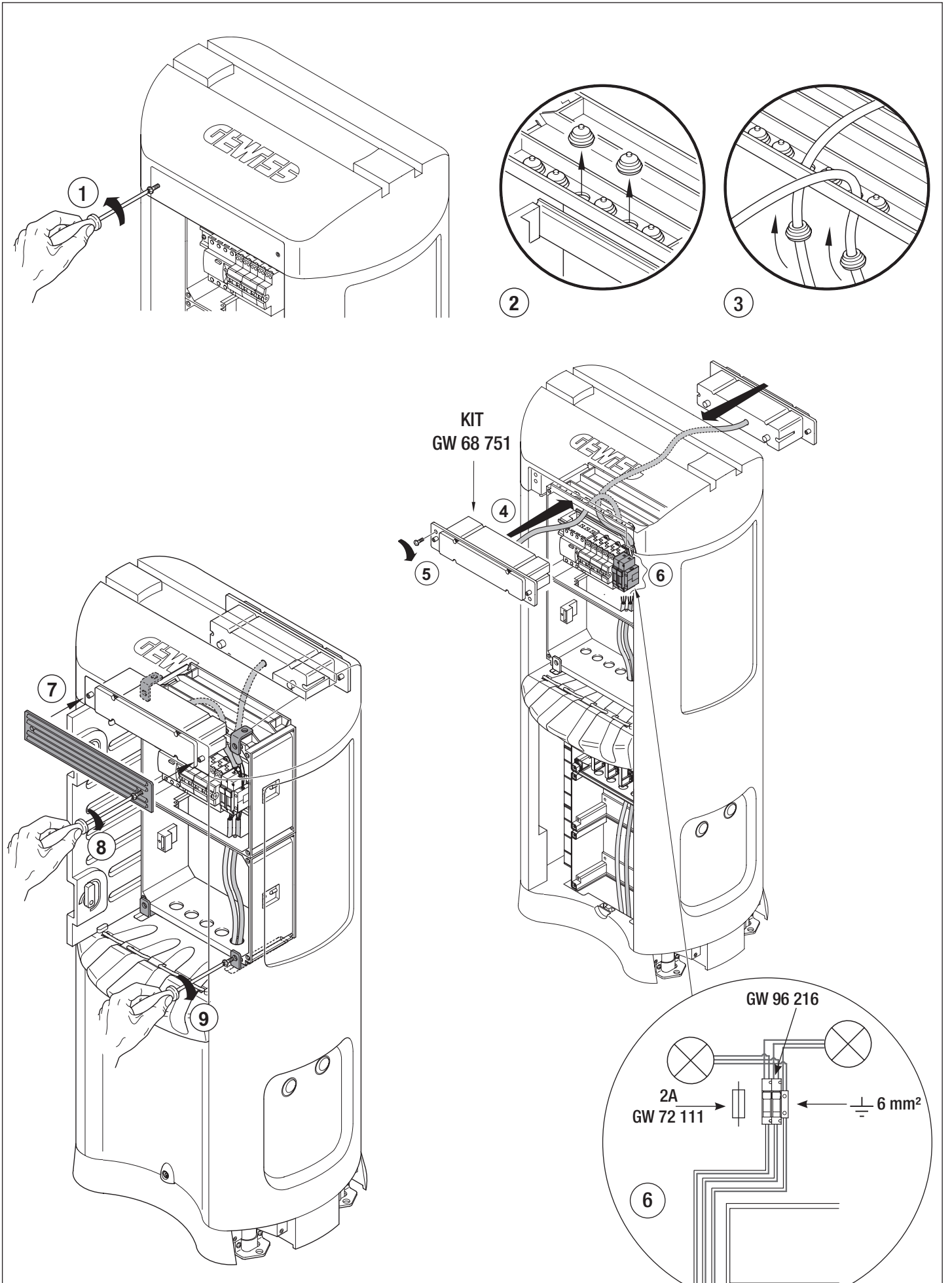
“A”



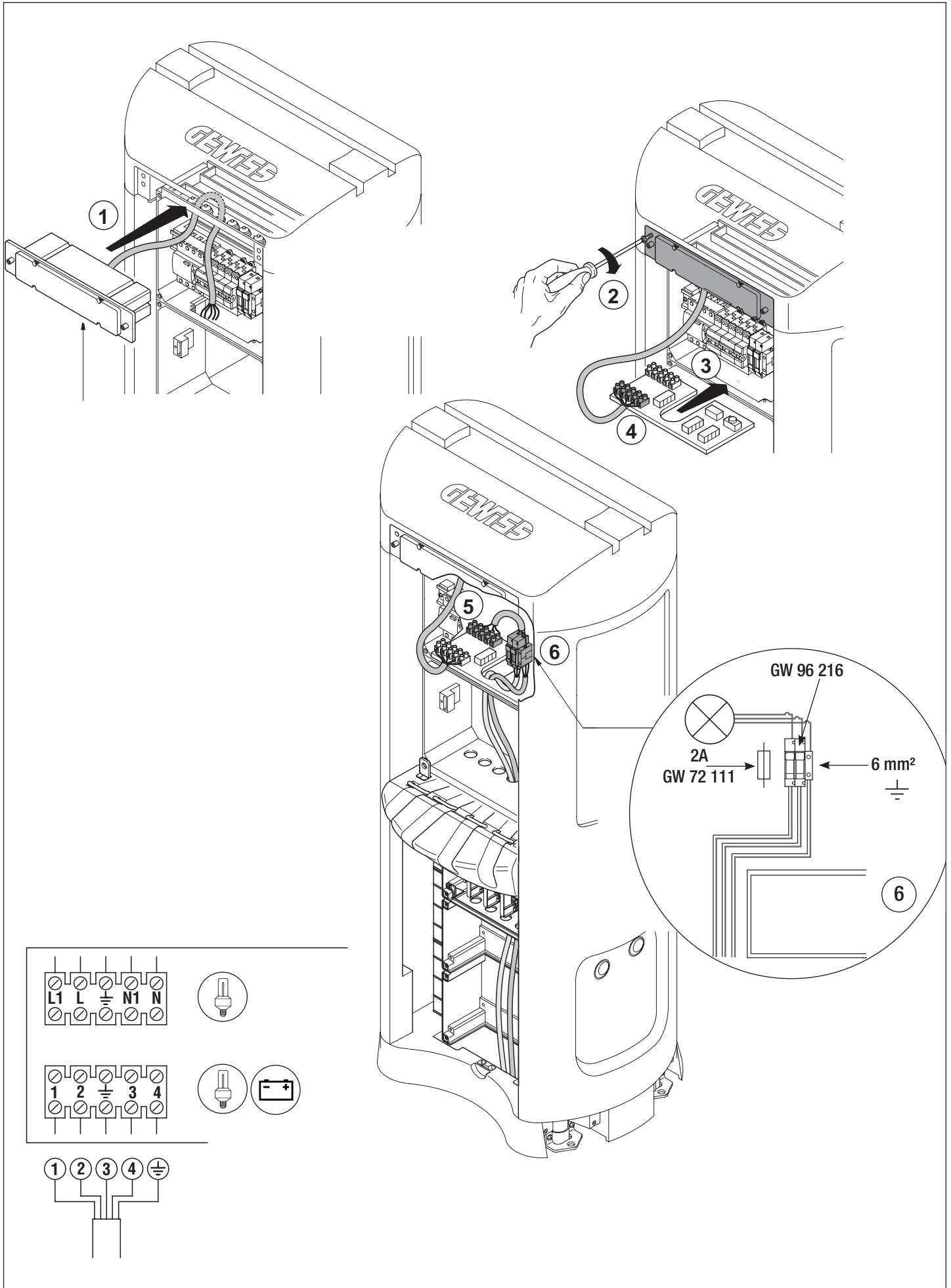
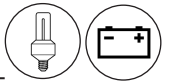


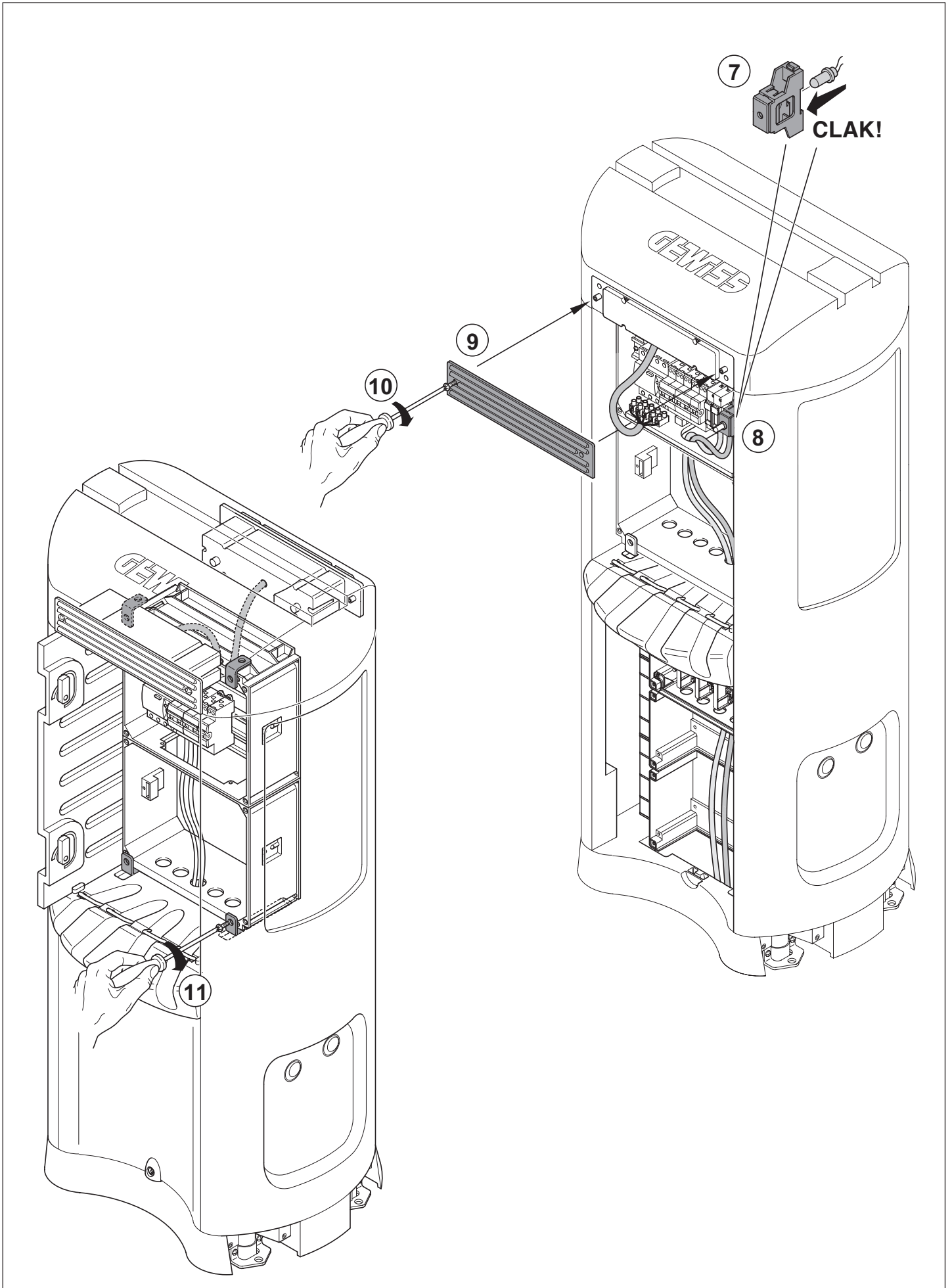
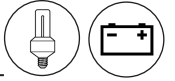
KIT F

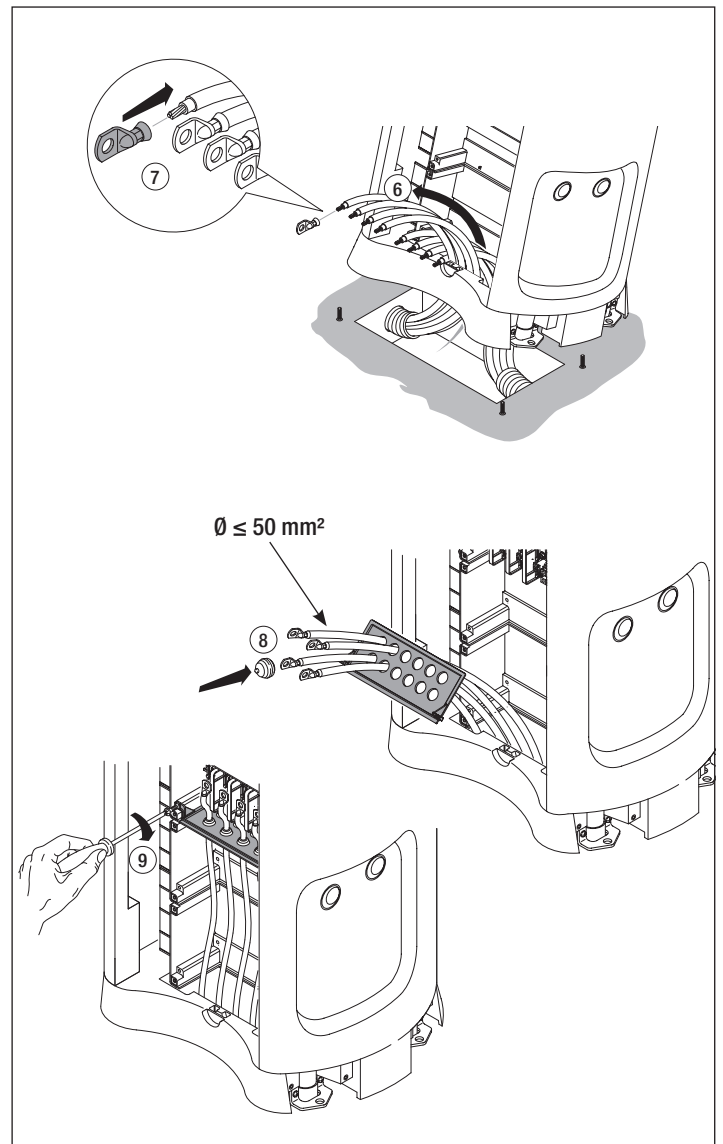
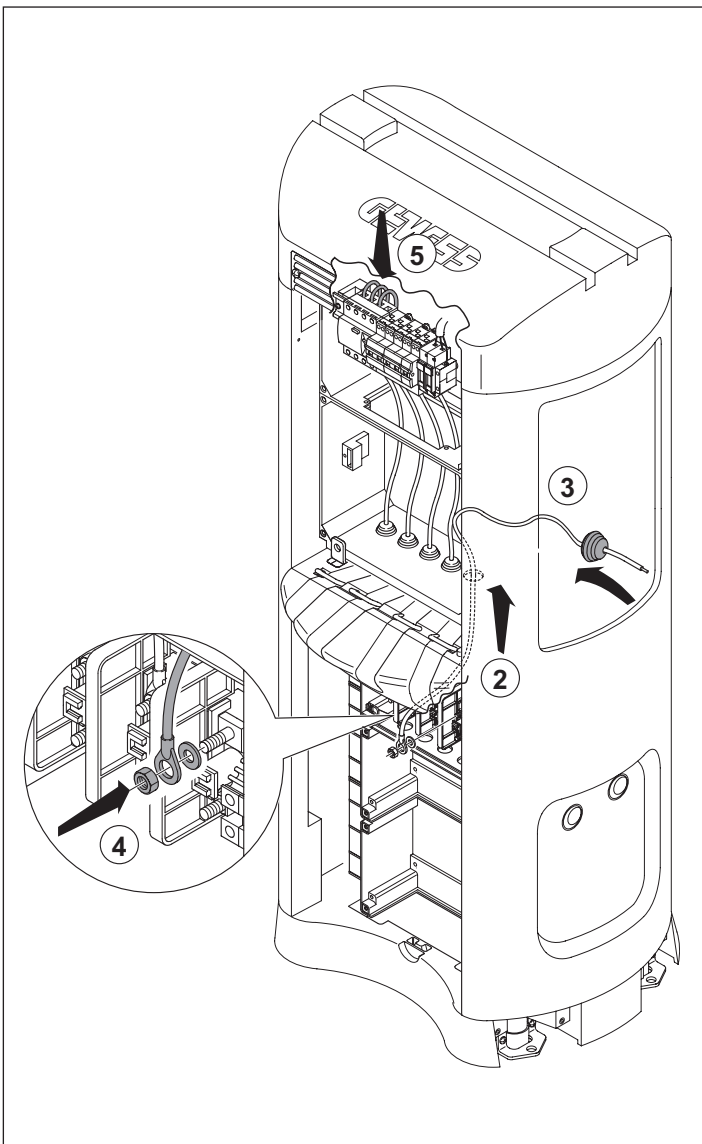
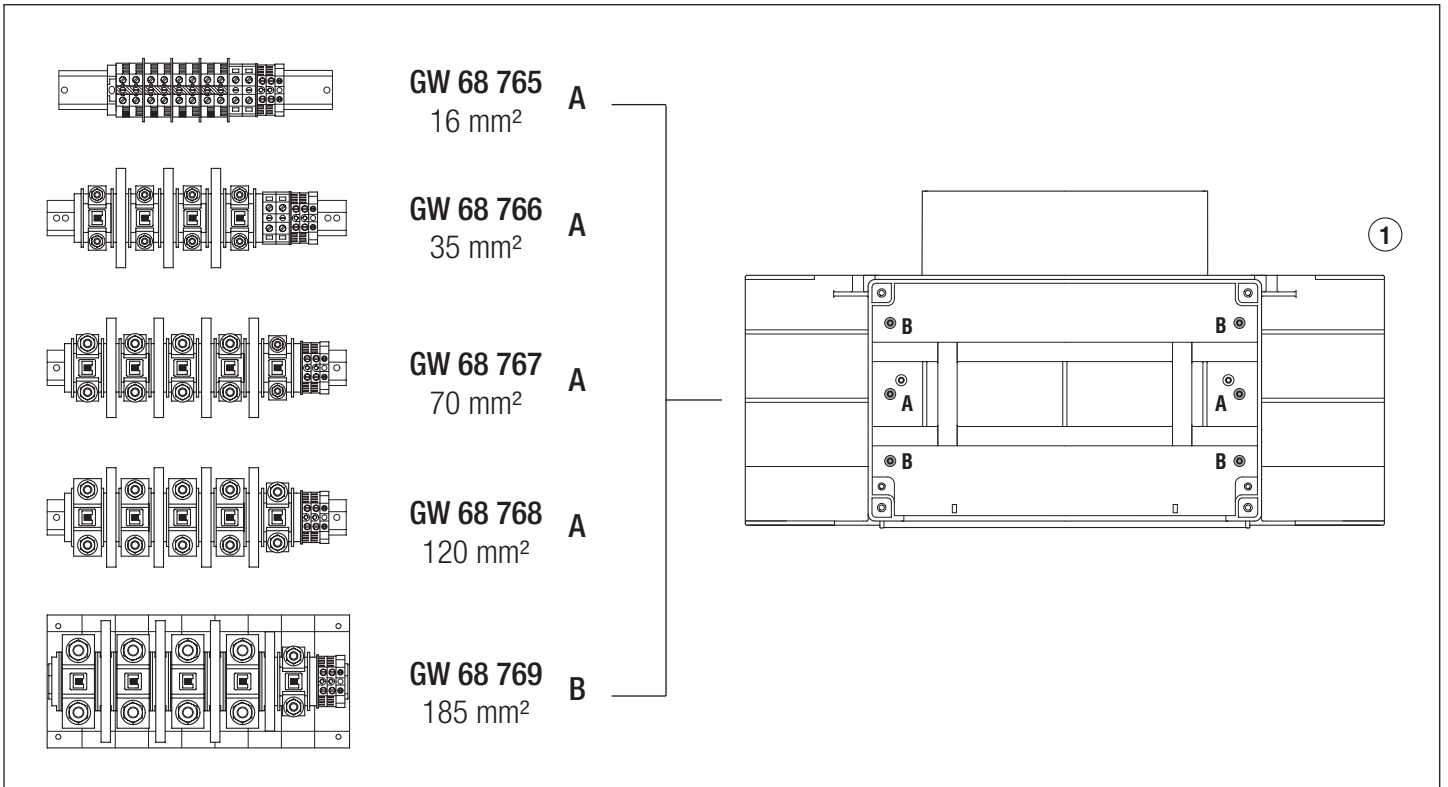


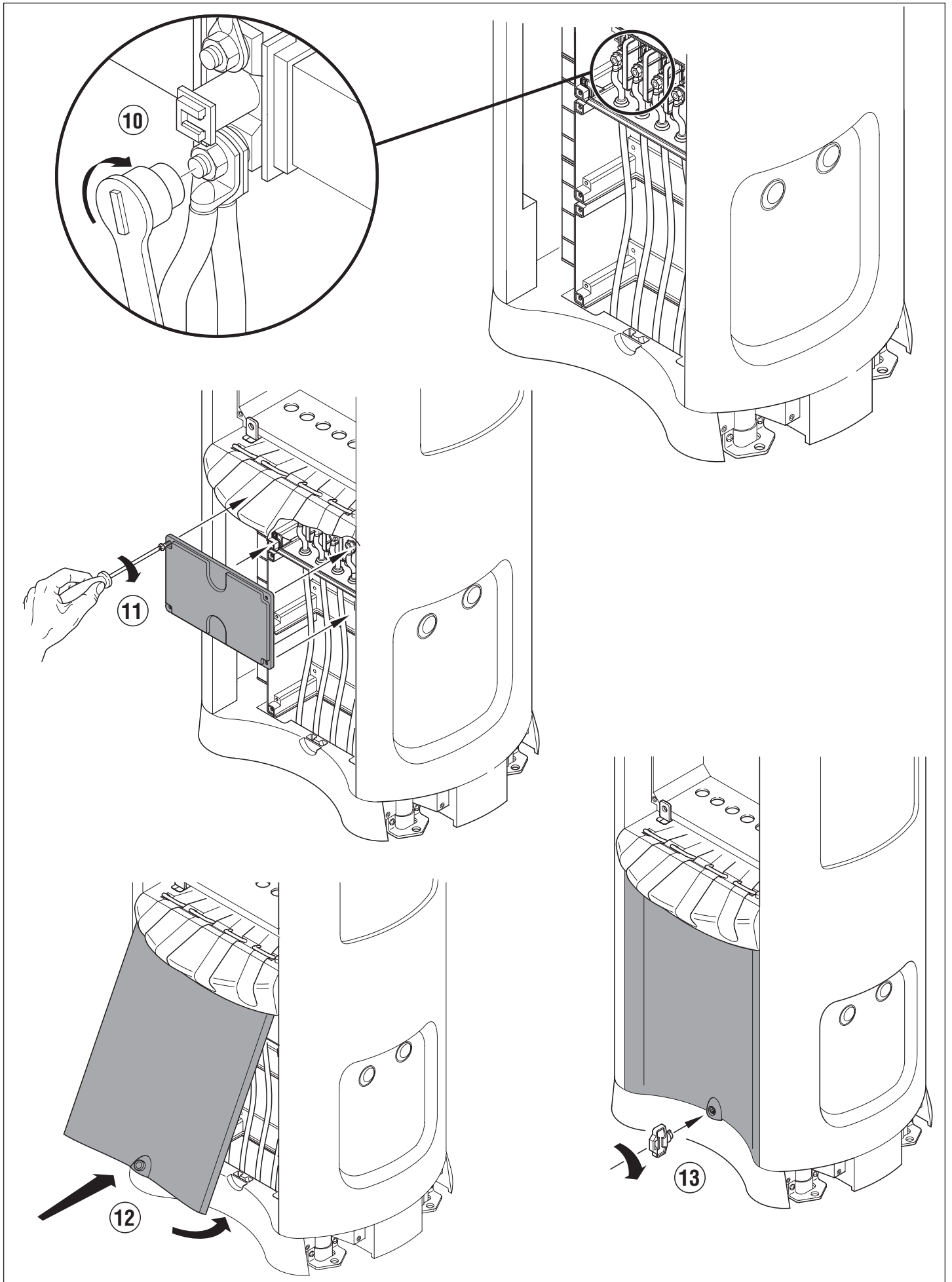


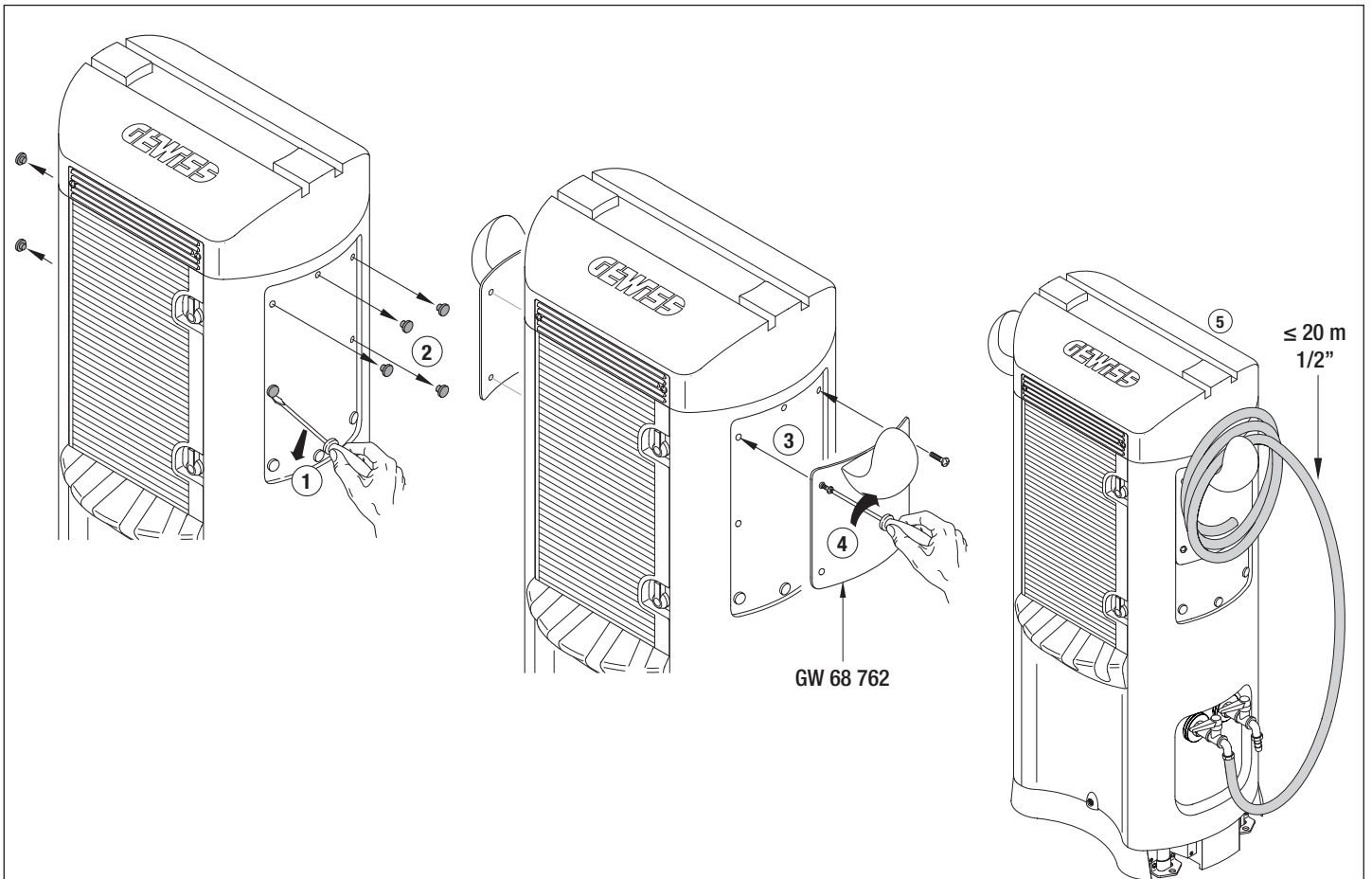
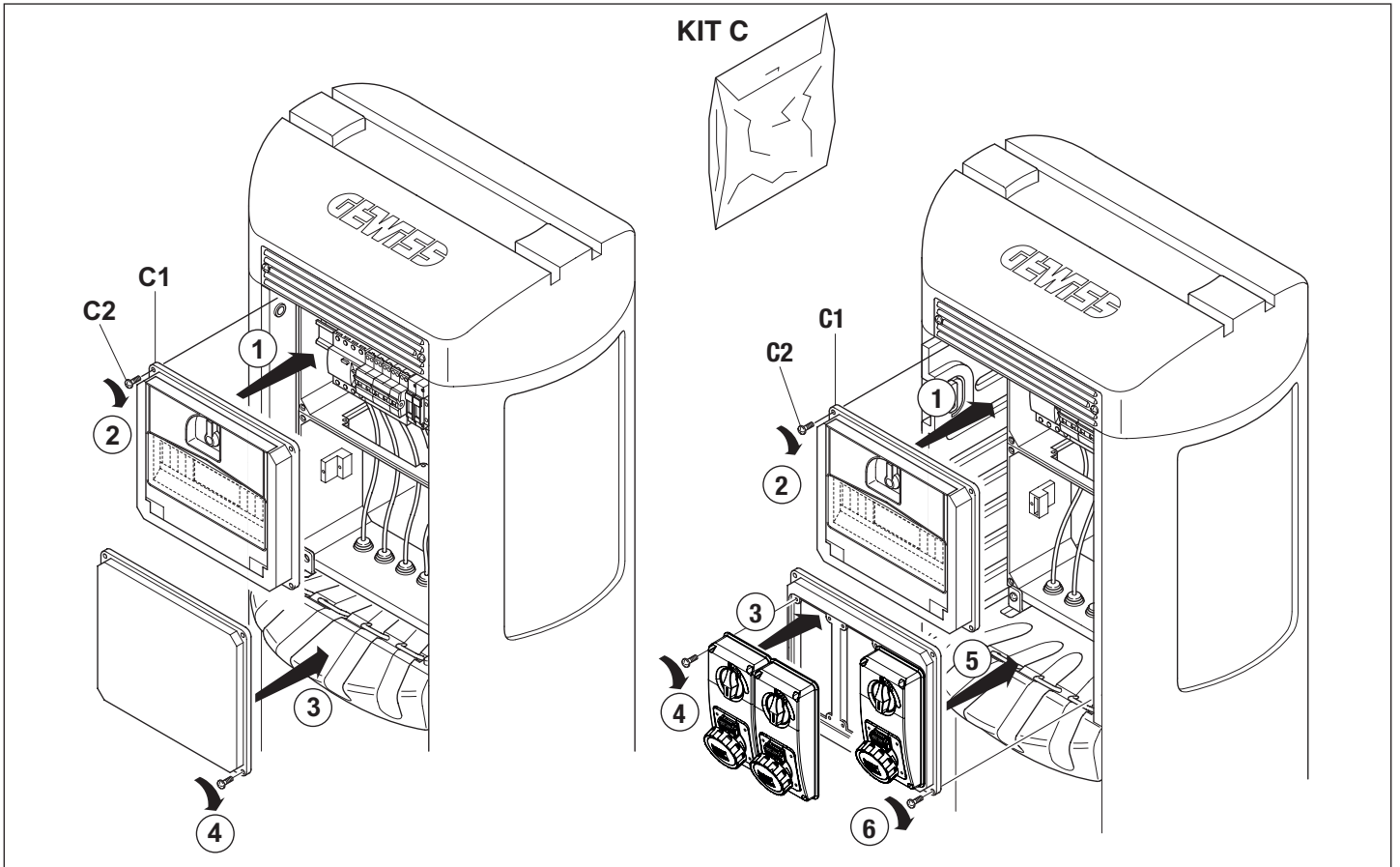


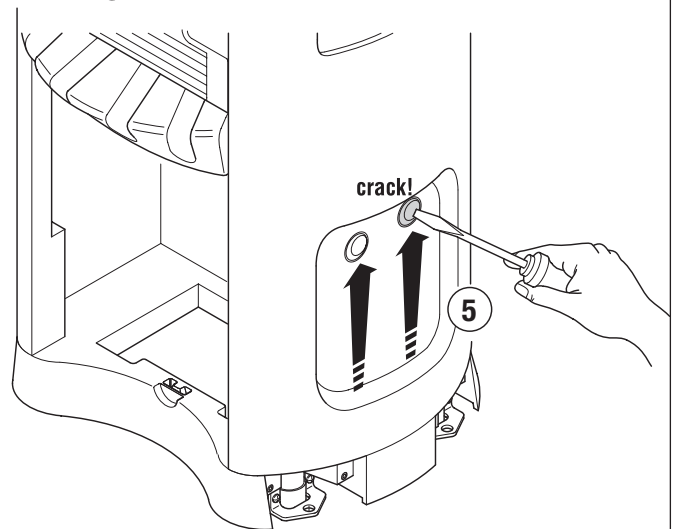
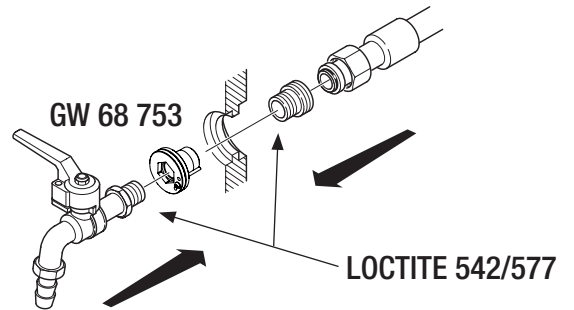
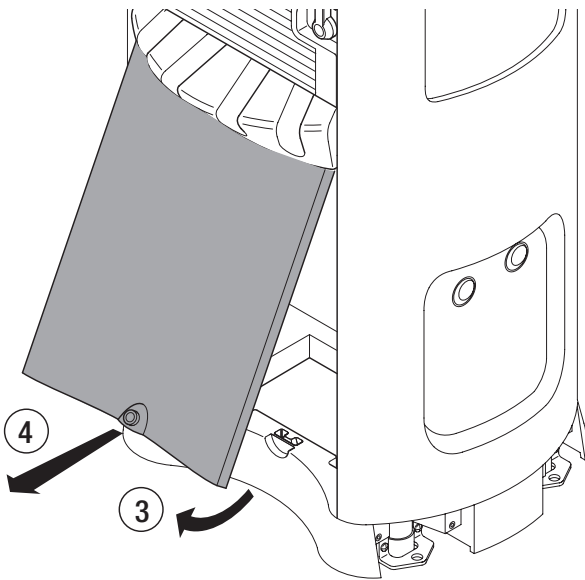
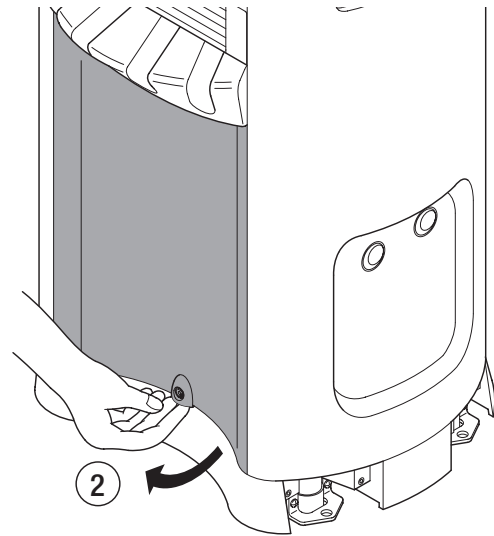
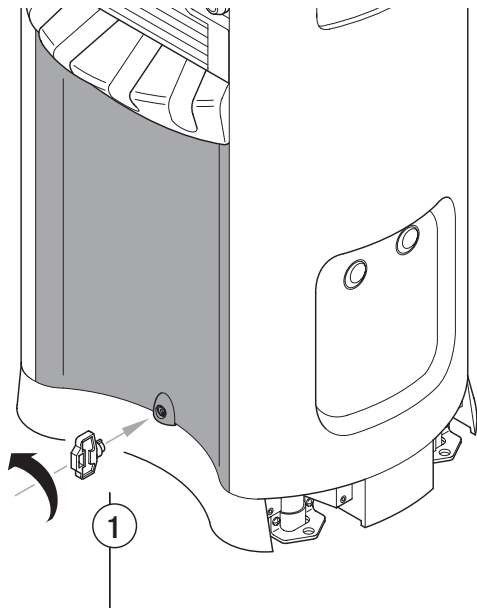


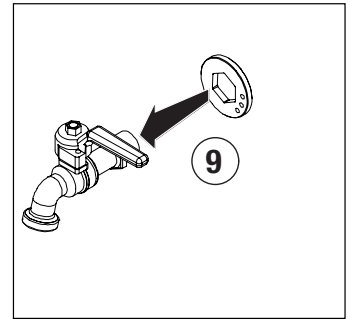
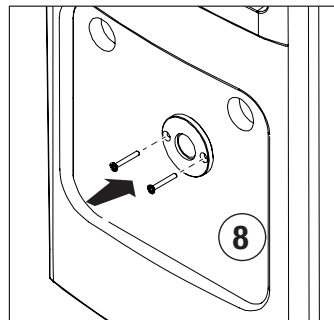
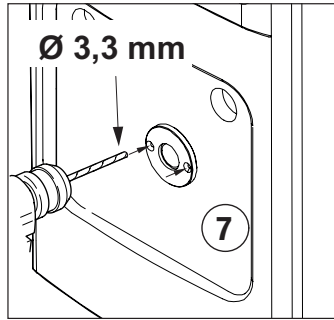
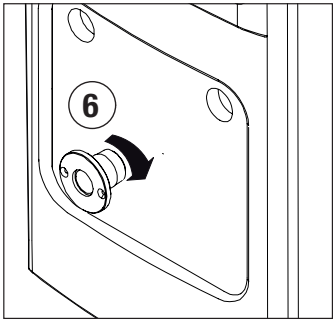






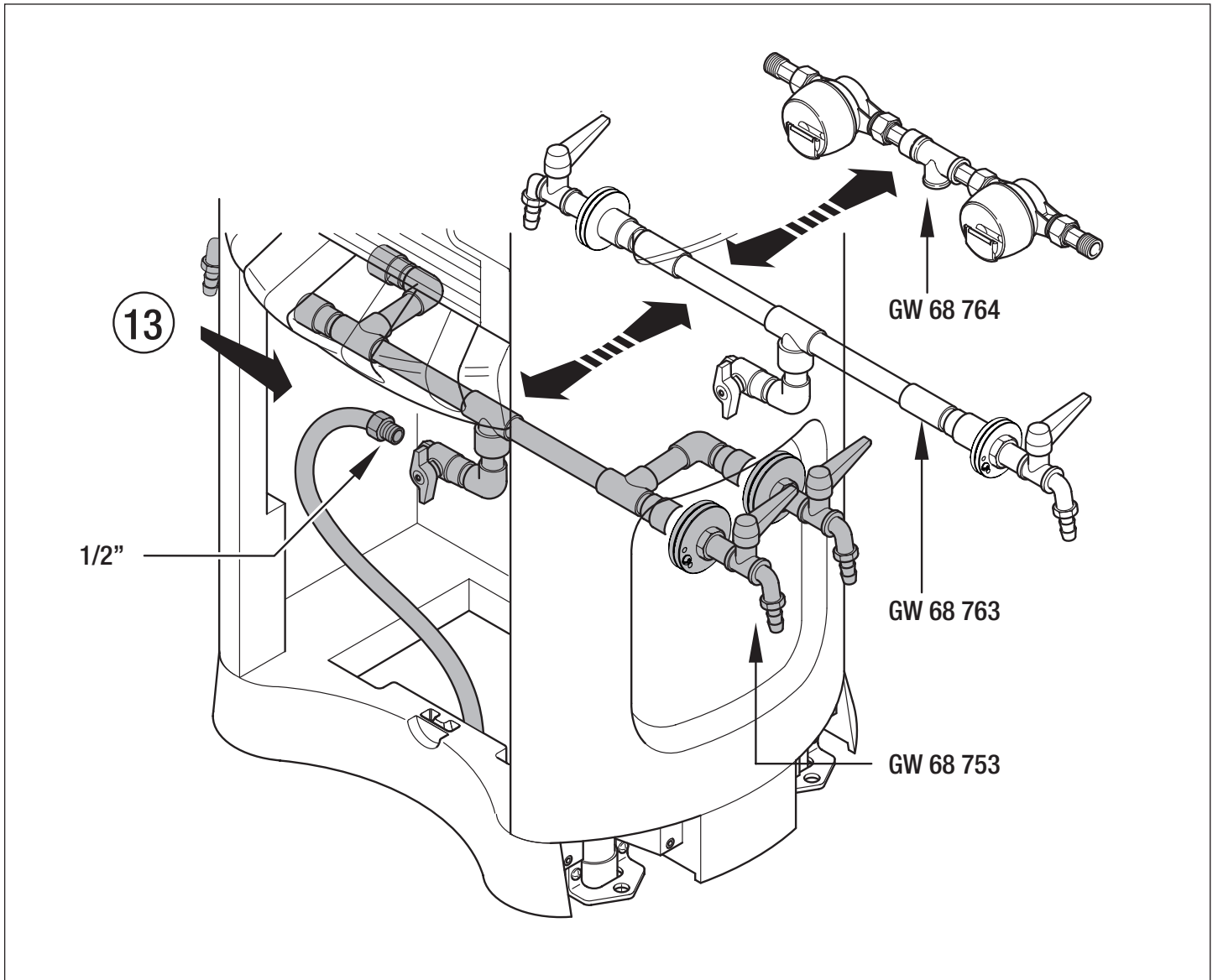
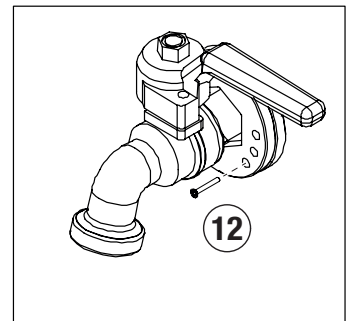
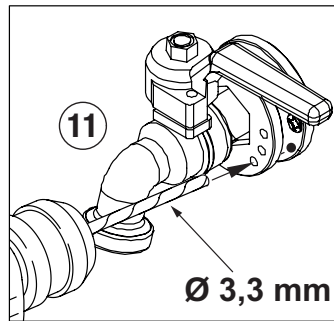
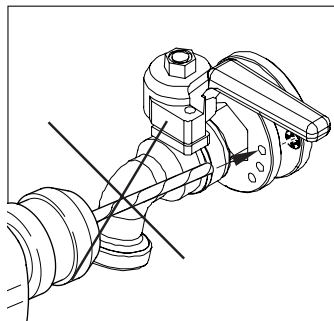
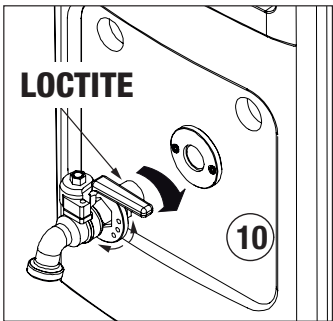


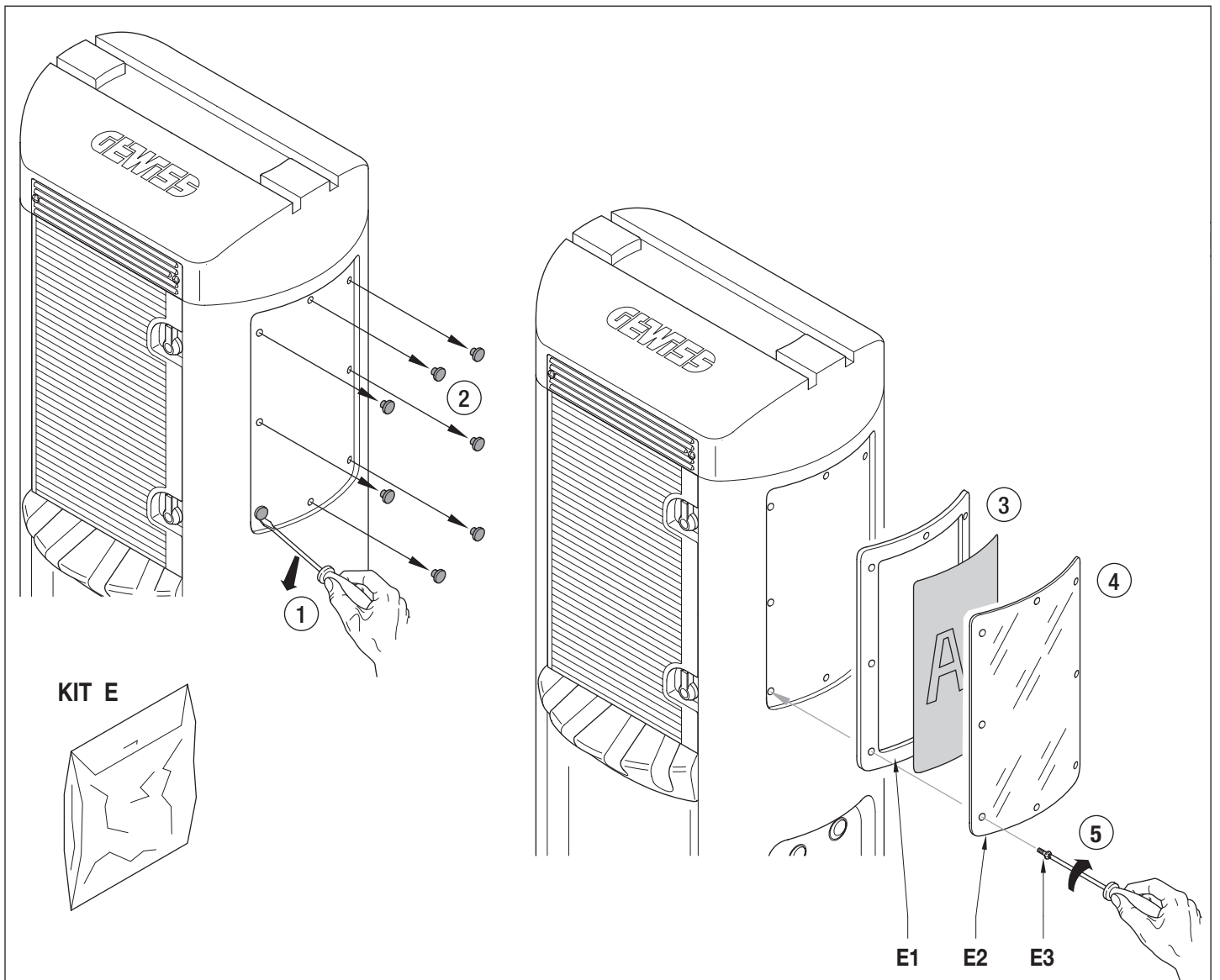
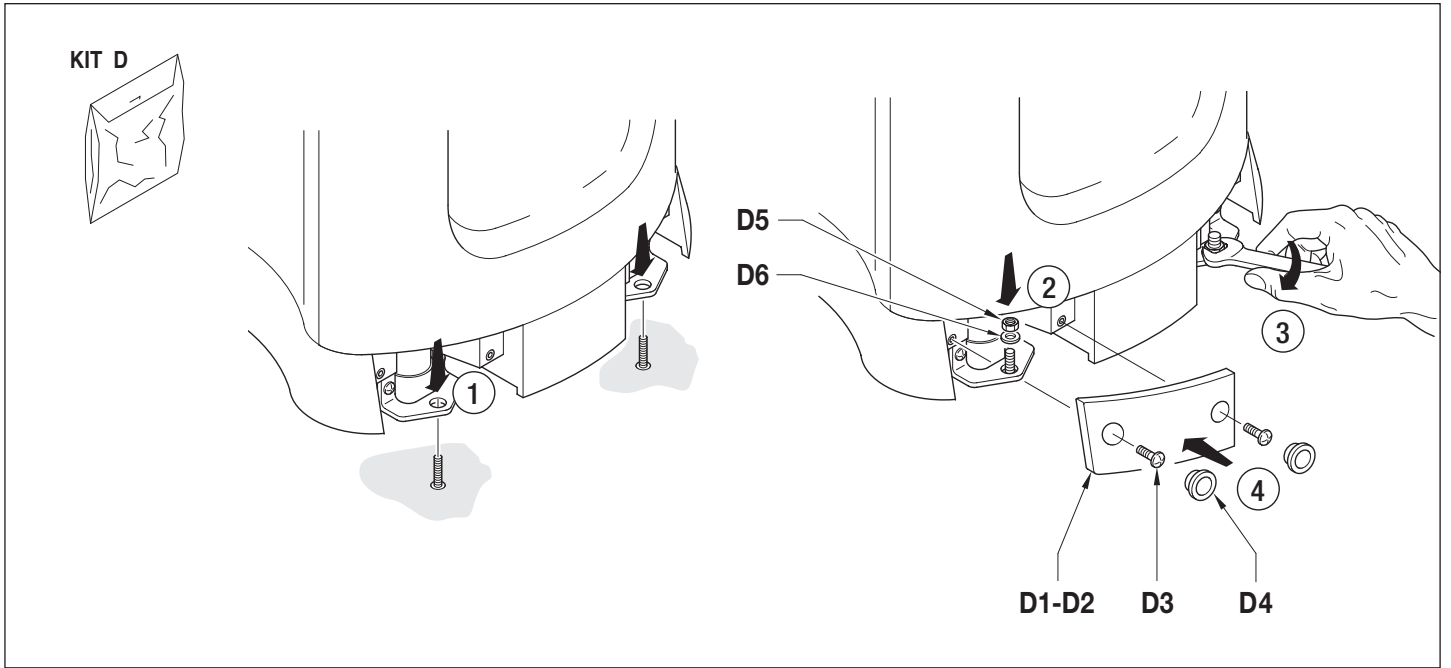




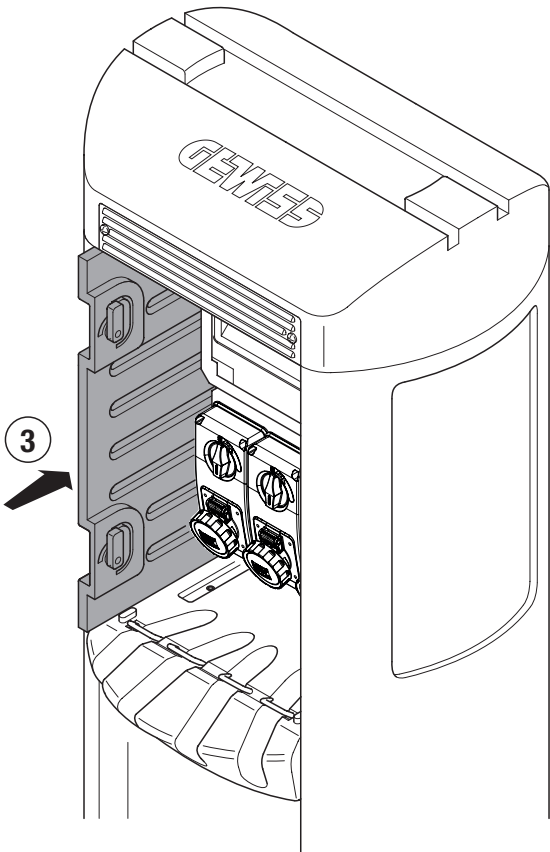
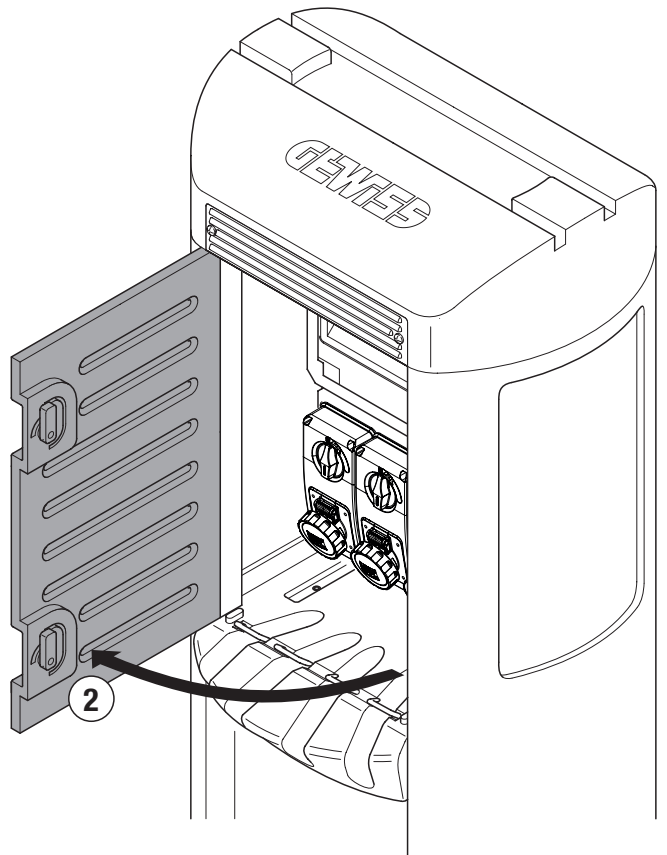
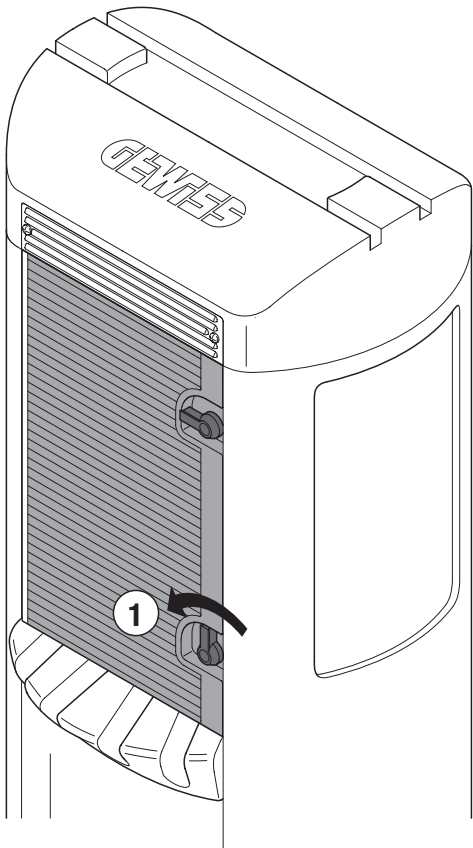
**NO**

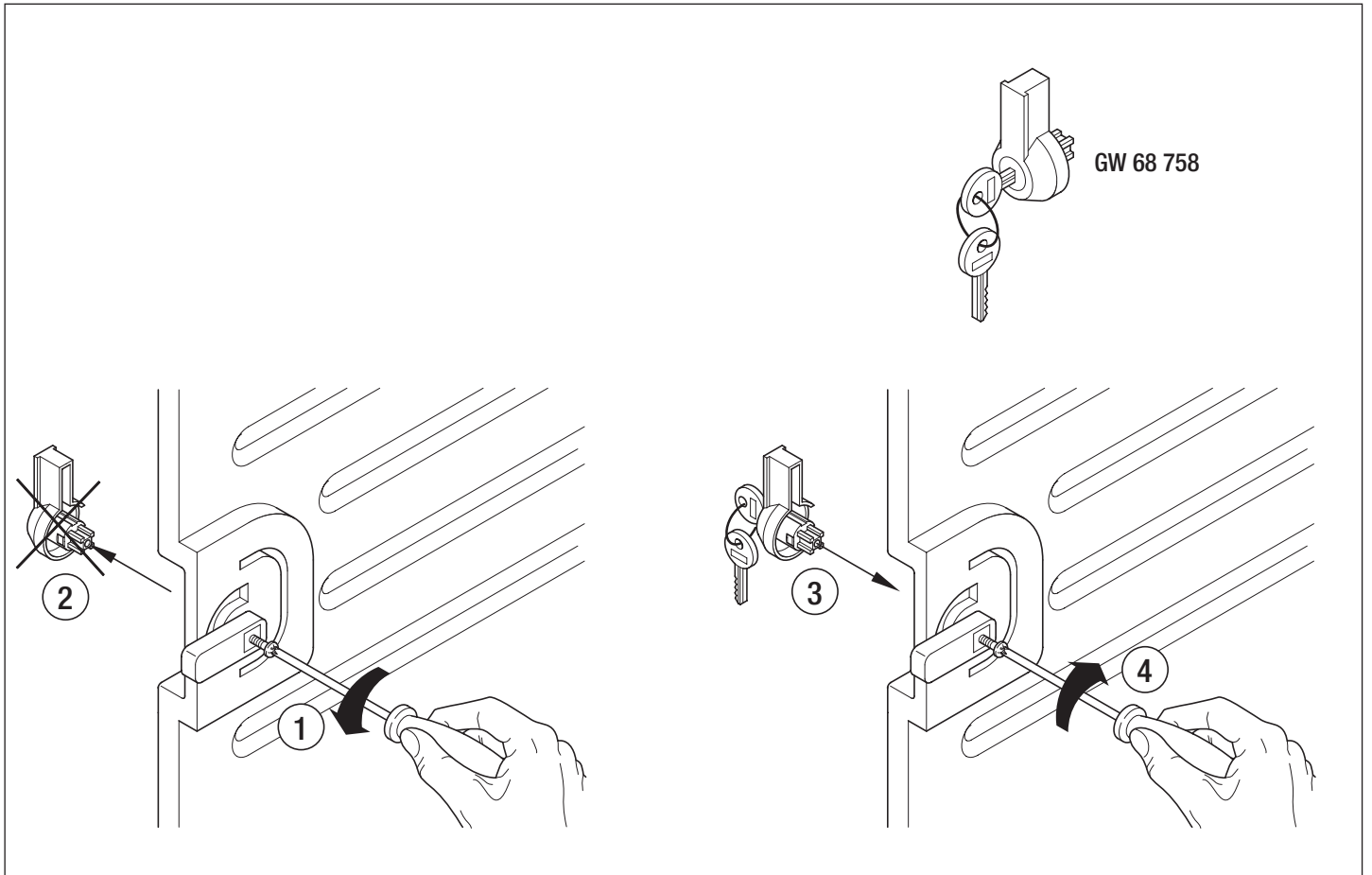
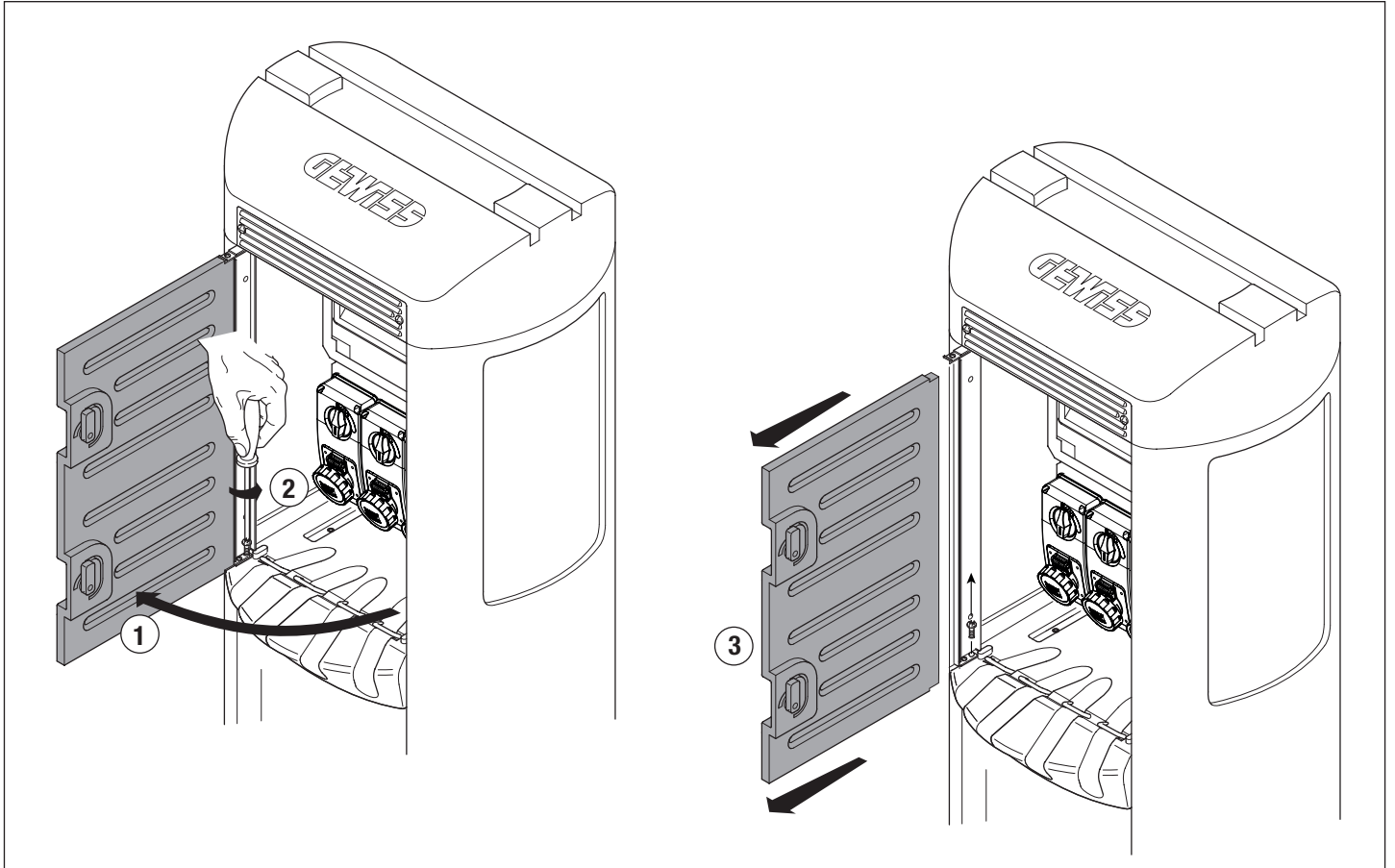
**OK**

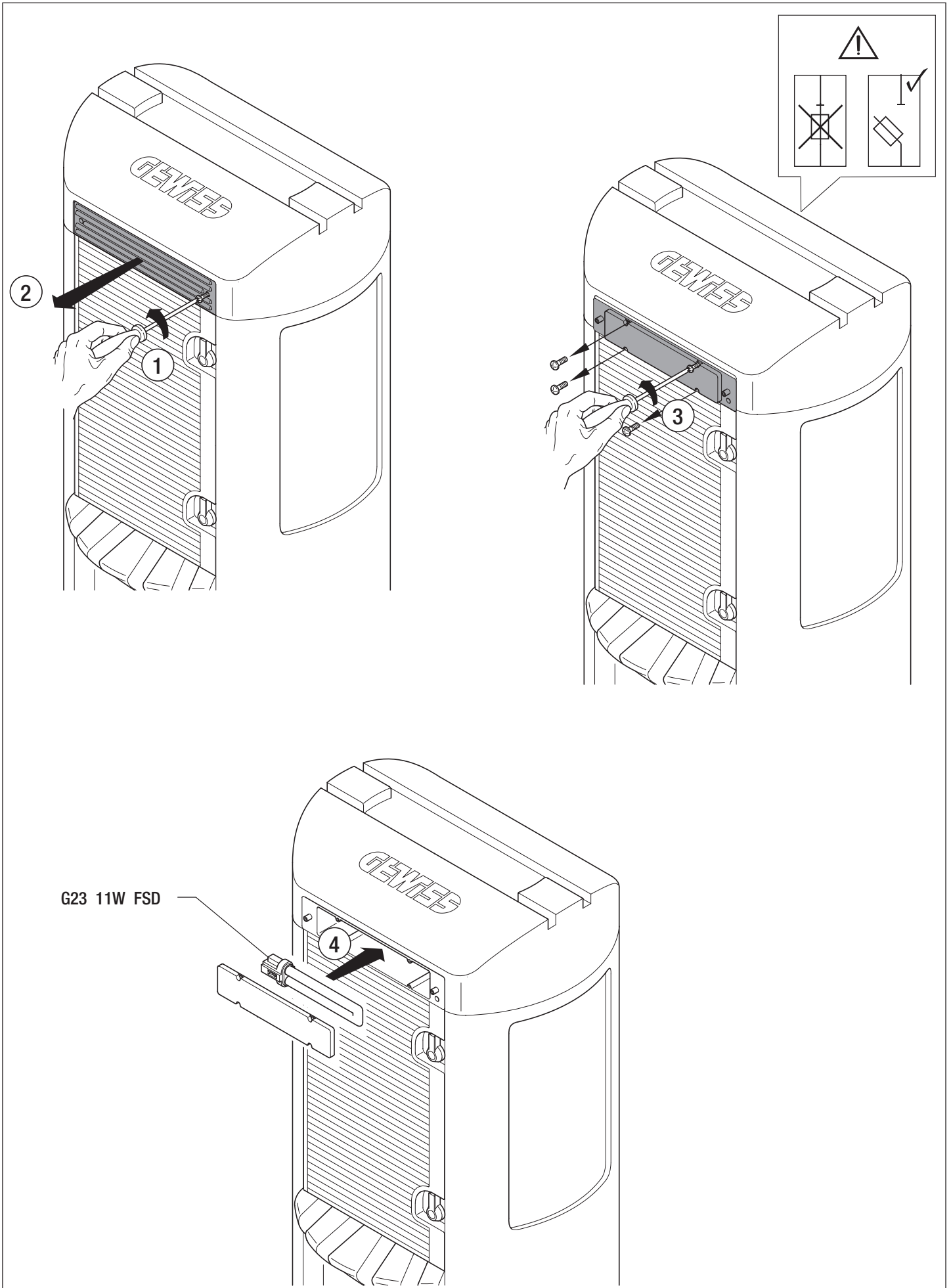


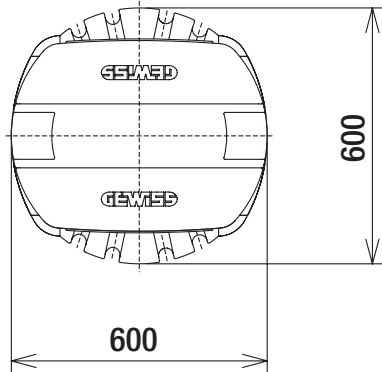
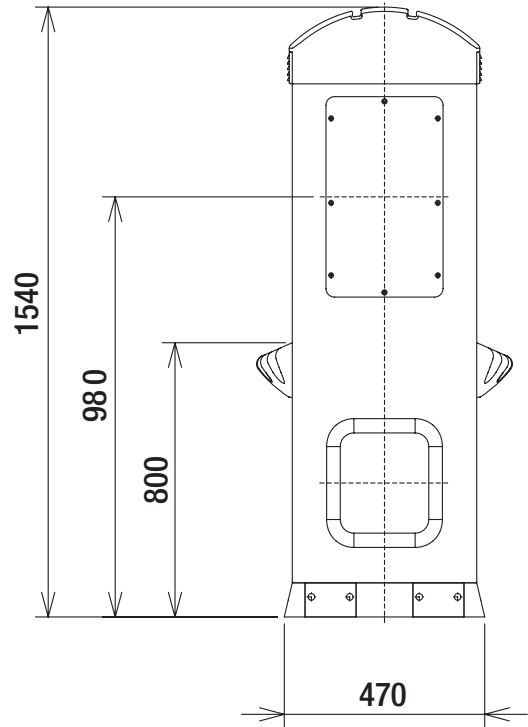
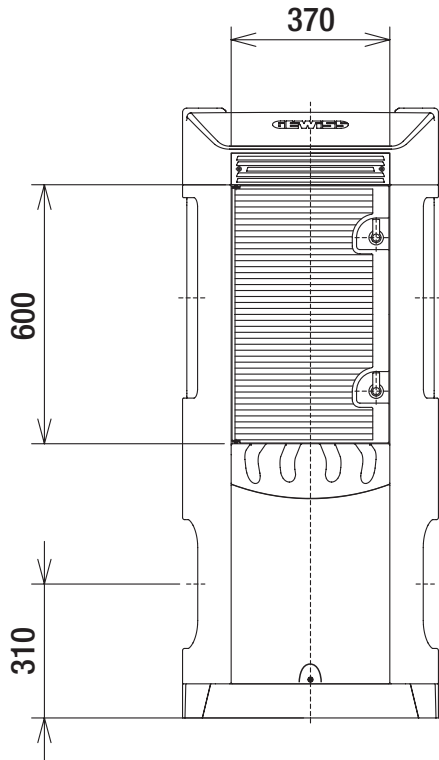












75546770

Punto di contatto indicato in adempimento ai fini delle direttive e regolamenti UE applicabili:  
Contact details according to the relevant European Directives and Regulations:  
GEWISS S.p.A. Via D.Bosatelli, 1 IT-24069 Cenate Sotto (BG) Italy tel: +39 035 946 111 E-mail: qualitymarks@gewiss.com

According to applicable UK regulations, the company responsible for placing the goods in UK market is:  
GEWISS UK LTD - Unity House, Compass Point Business Park, 9 Stocks Bridge Way, ST IVES  
Cambridgeshire, PE27 5JL, United Kingdom tel: +44 1954 712757 E-mail: gewiss-uk@gewiss.com



**+39 035 946 111**

8:30 - 12:30 / 14:00 - 18:00

lunedì - venerdì / monday - friday



[www.gewiss.com](http://www.gewiss.com)



ULTIMA REVISIONE 09/2024