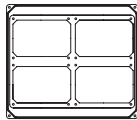
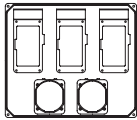


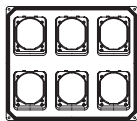


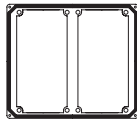
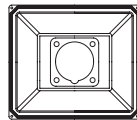

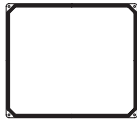
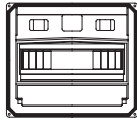
 GW 68 731W	3	67 IB IP67 16/32A	
 GW 68 732W	4	44 IB IP44 16/32A	
 GW 68 733W	3	COMBIBLOC	2  +  IEC 309 HP 16A (MAX 2P+⊕) 27COMBI IP55 (85x75 mm)
 GW 68 734W	6		 +  IEC 309 HP 16/32A 27COMBI IP55 (85x75 mm)
 GW 68 735W	2	67 IB IP67 63A	
 GW 68 736W	1		 IEC 309 HP 125A
 GW 68 737 A/W			
			GW 68 741 A/W 14 DIN



GW 68 751		GW 68 764	
GW 68 752		GW 68 761	
GW 68 753		GW 68 762 A/W	
GW 68 763		GW 68 758	
GW 68 770			

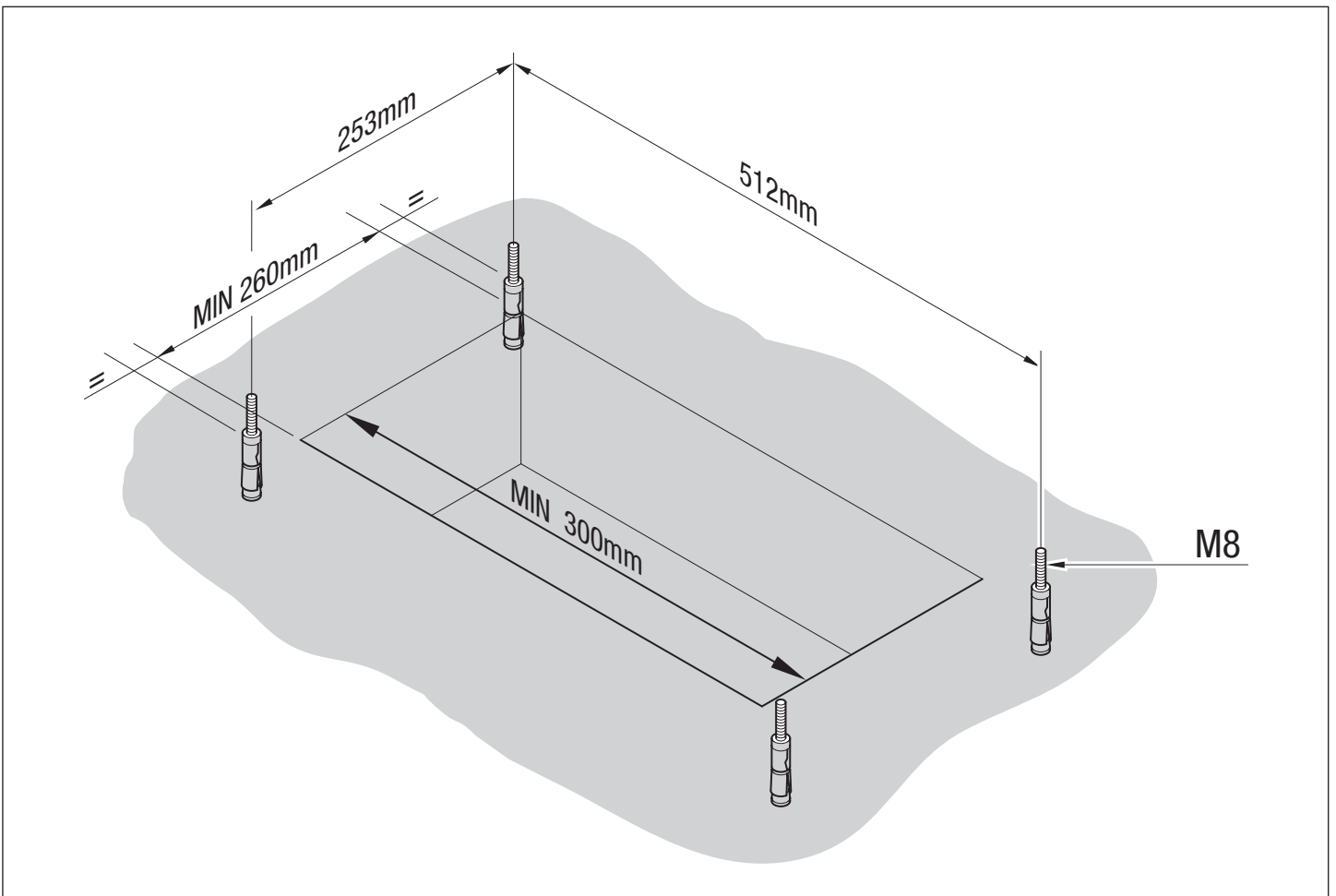
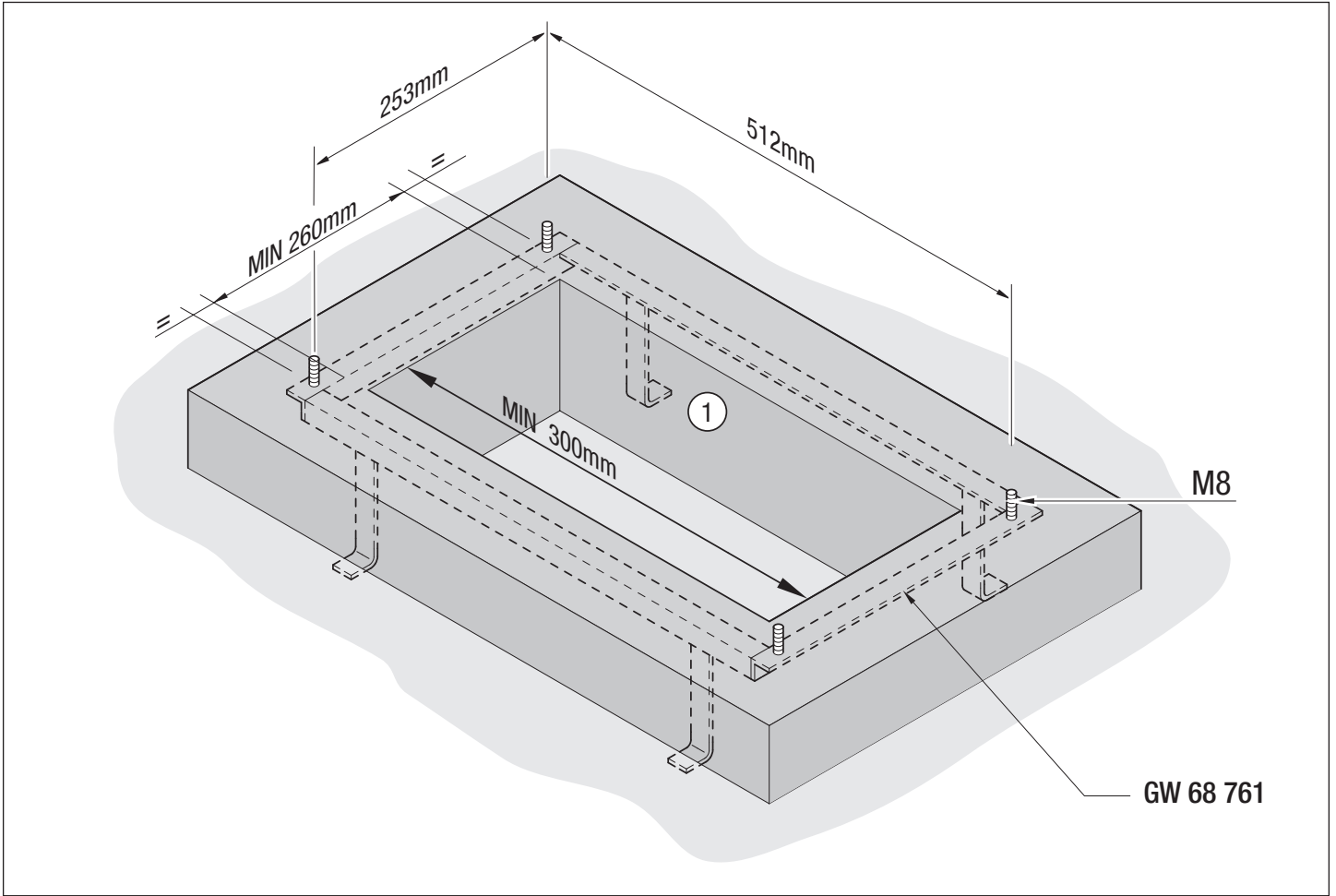
	A		
A1			4
A2	M5x20		6
A3	Ø5x20		2

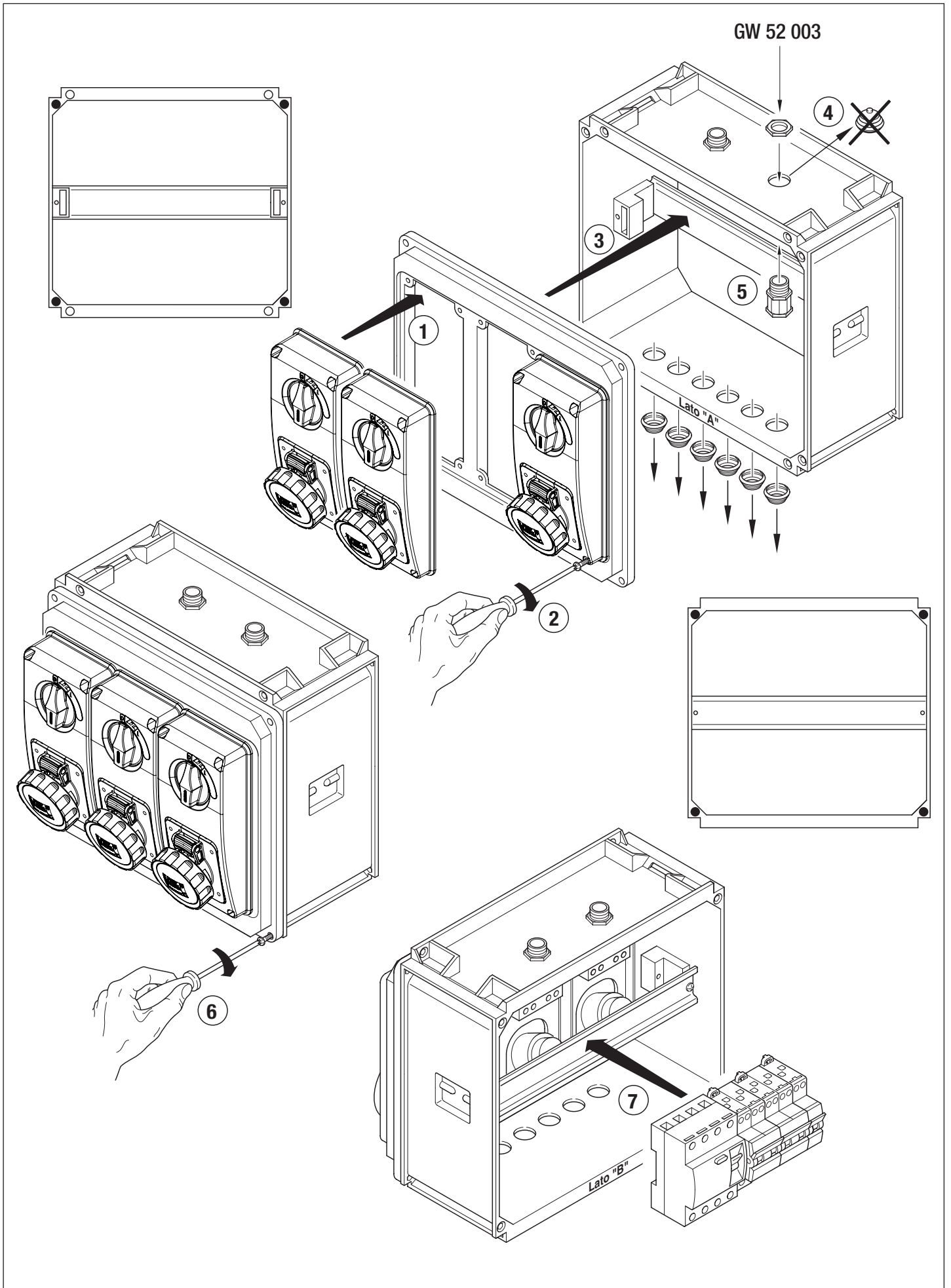
	D		
D1			2
D2	M5x20		8

	C		
C1			1
C2	M5x20		4
C3			1

	E		
E1	DX		2
E2	SX		2
E3	M5x20		8
E4	Ø14-16		8
E5	M8		4
E6	Ø9		4

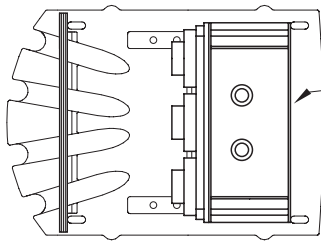
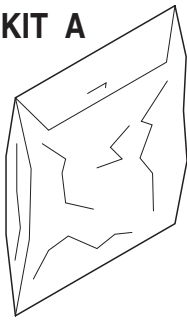
	F		
F1			2



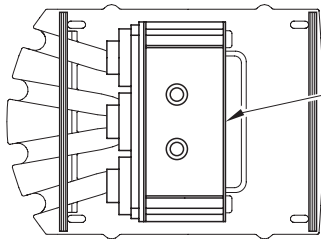




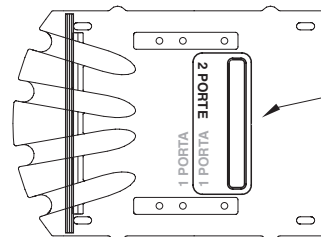
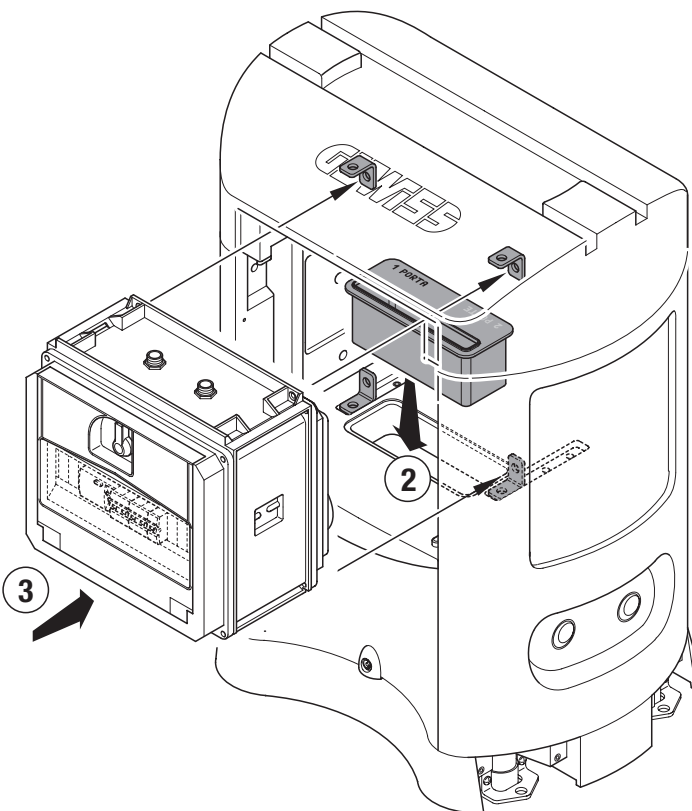
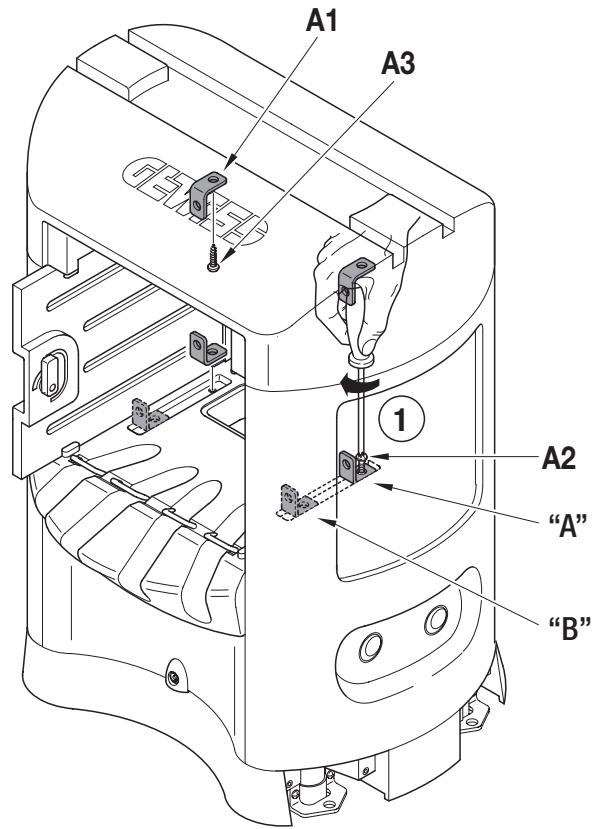
KIT A



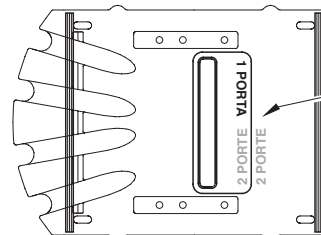
"A"
1P
GW 68 705



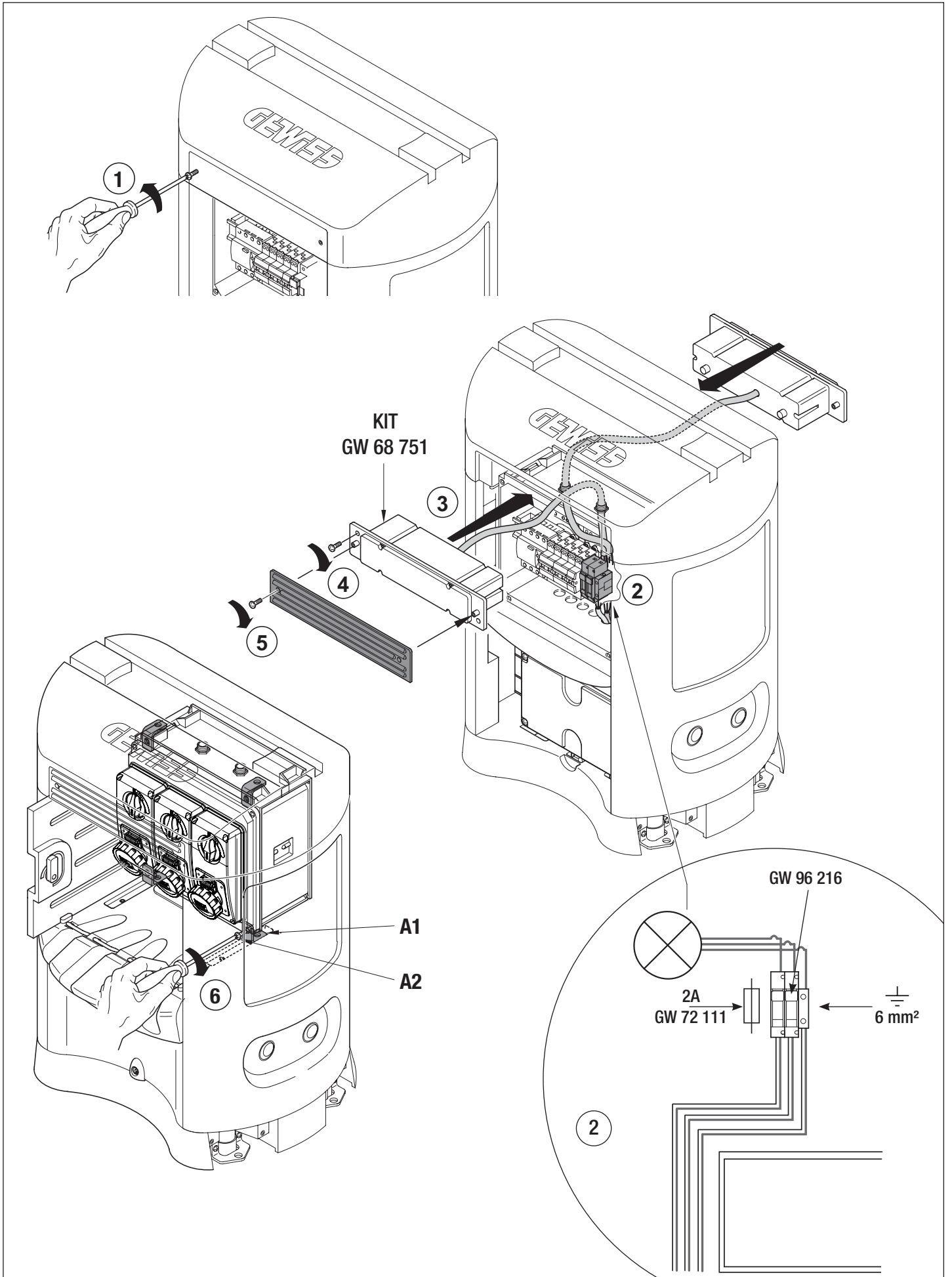
"B"
2P
GW 68 715

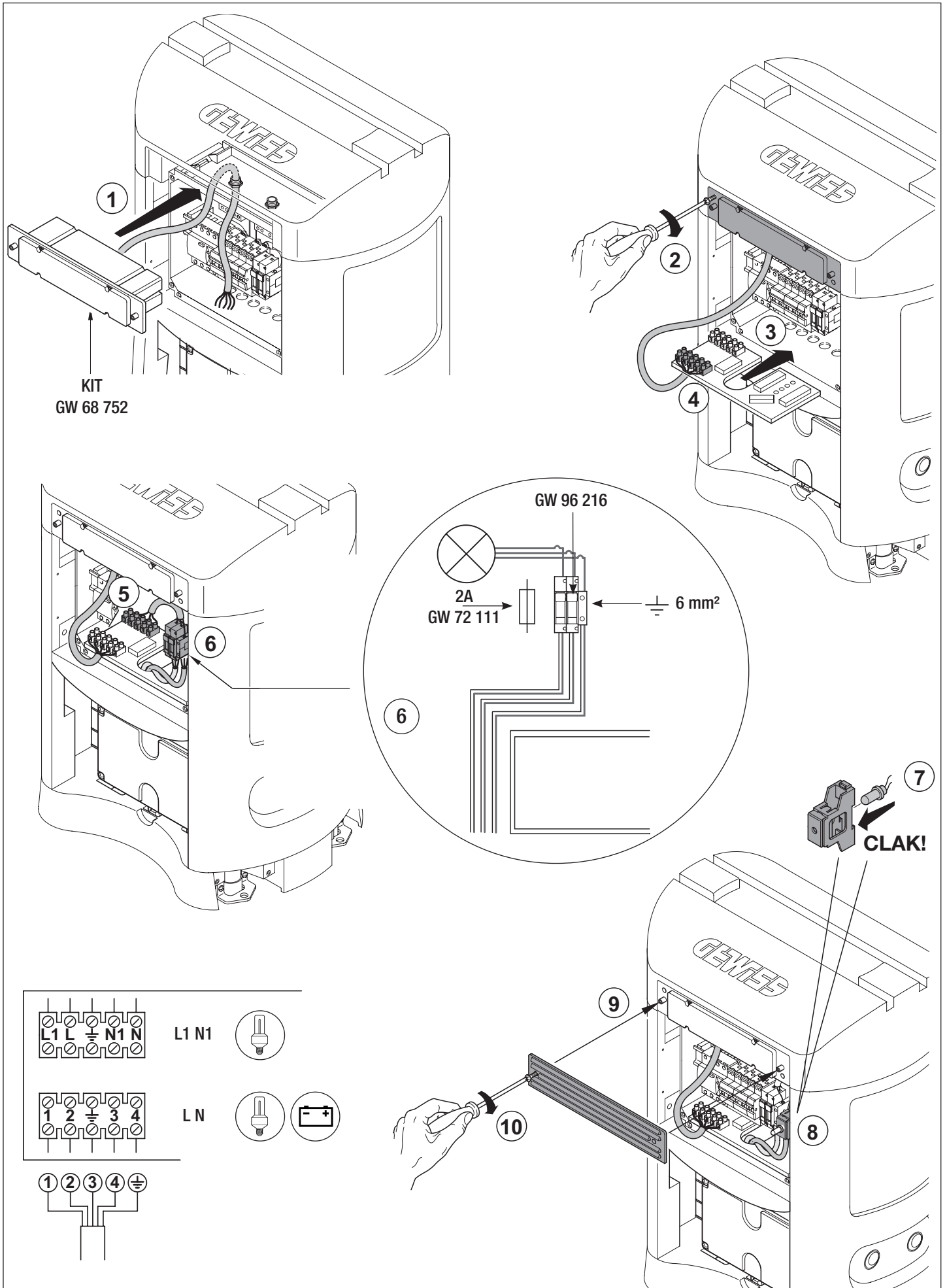
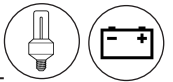


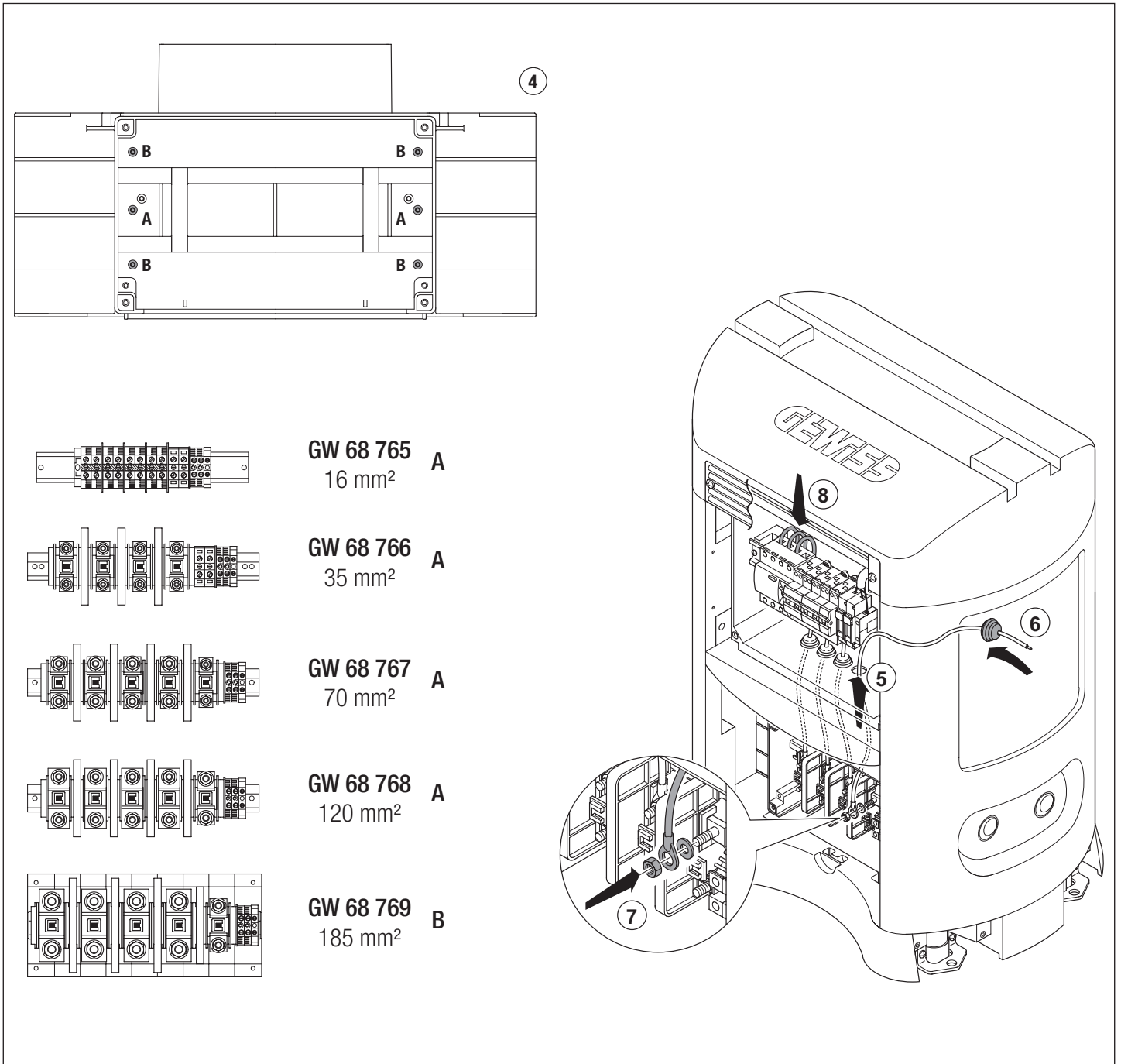
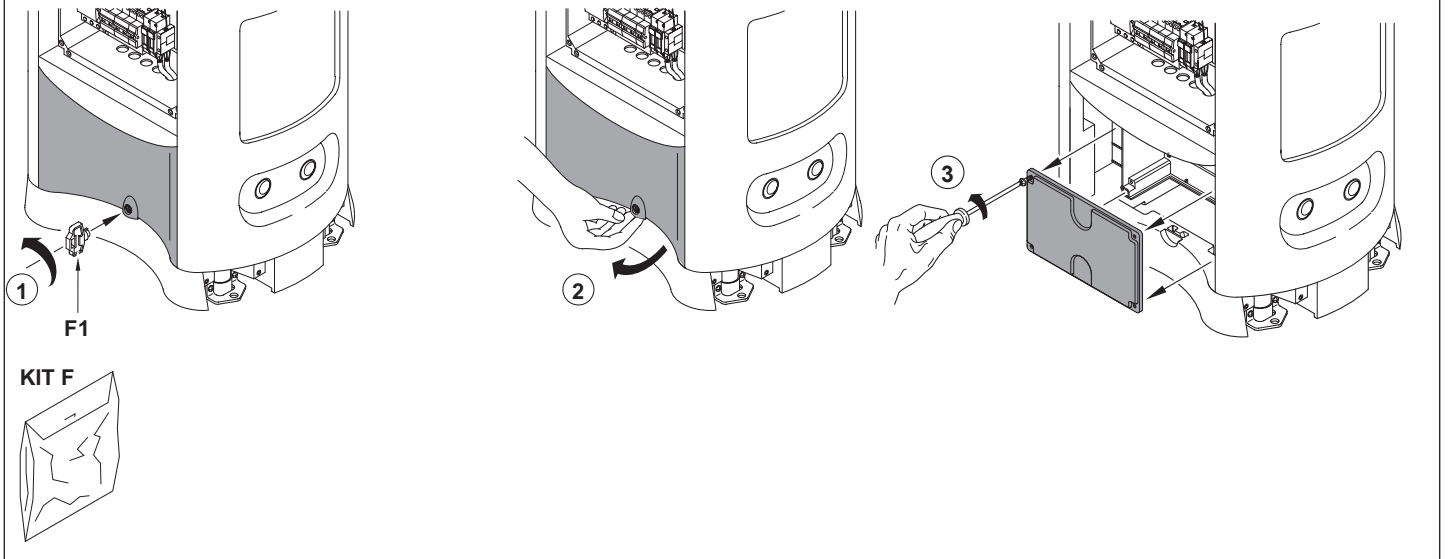
"A"
1P
GW 68 705

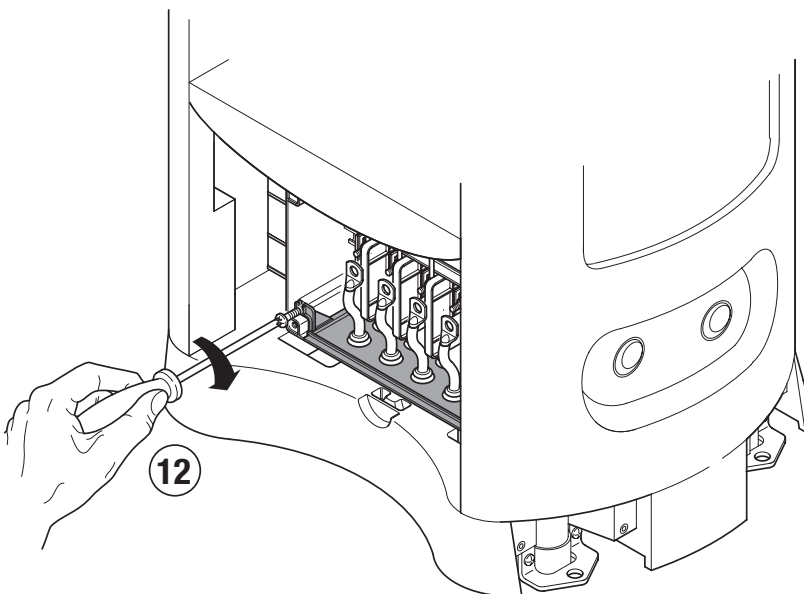
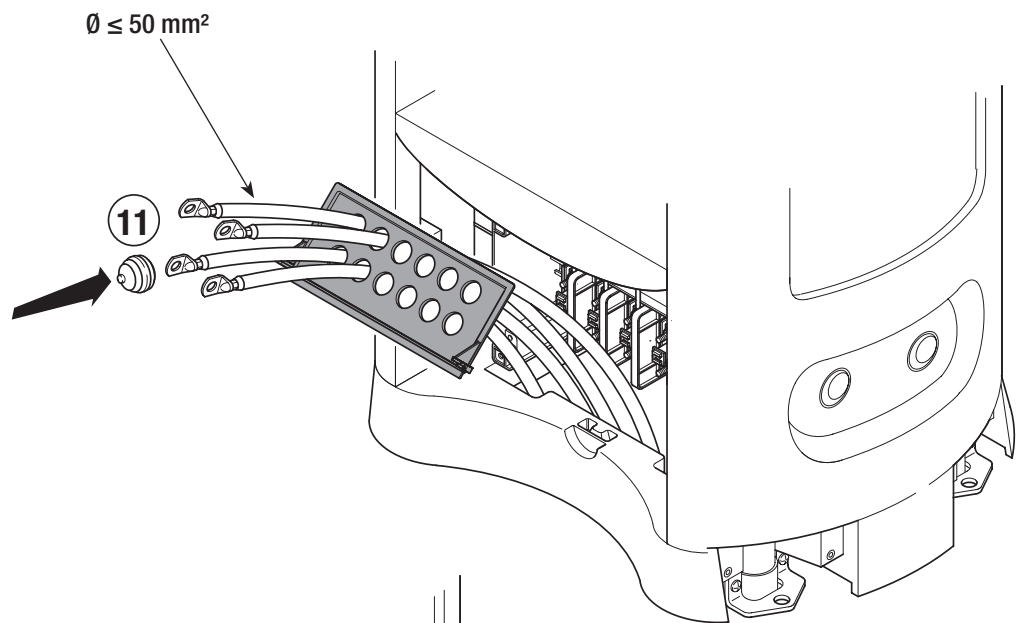
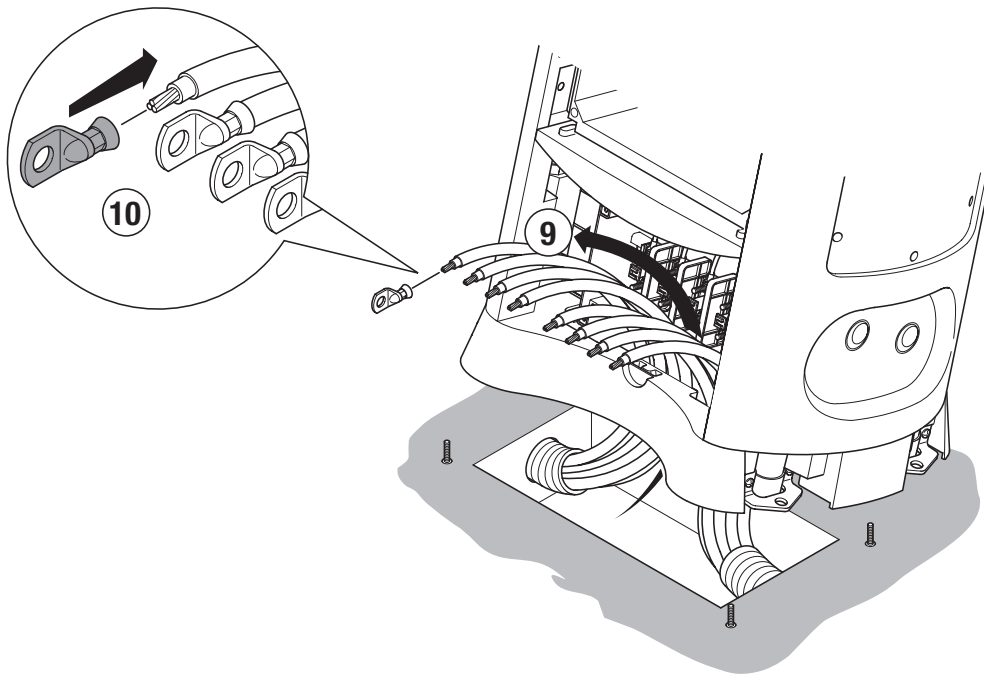


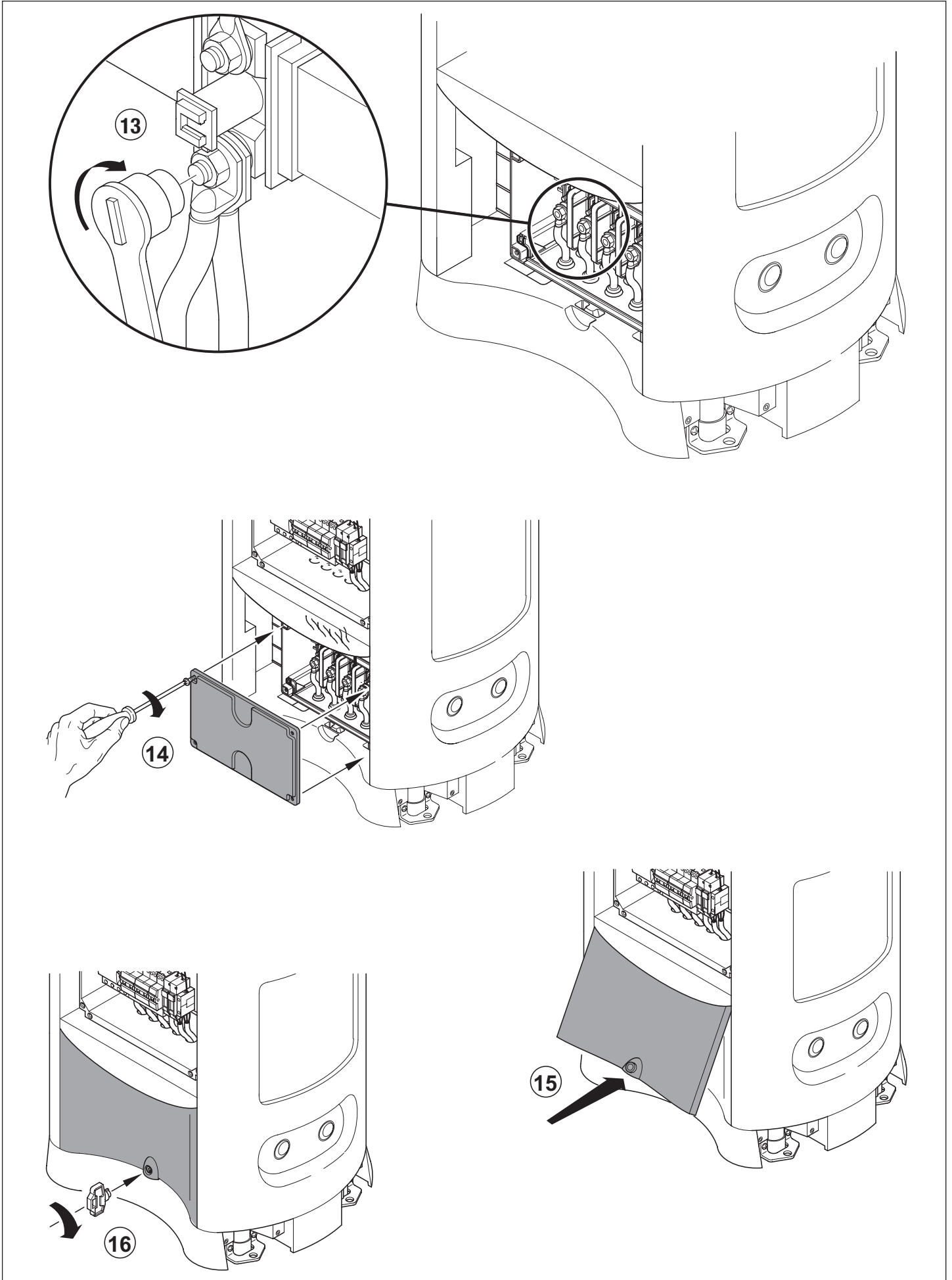
"B"
2P
GW 68 715

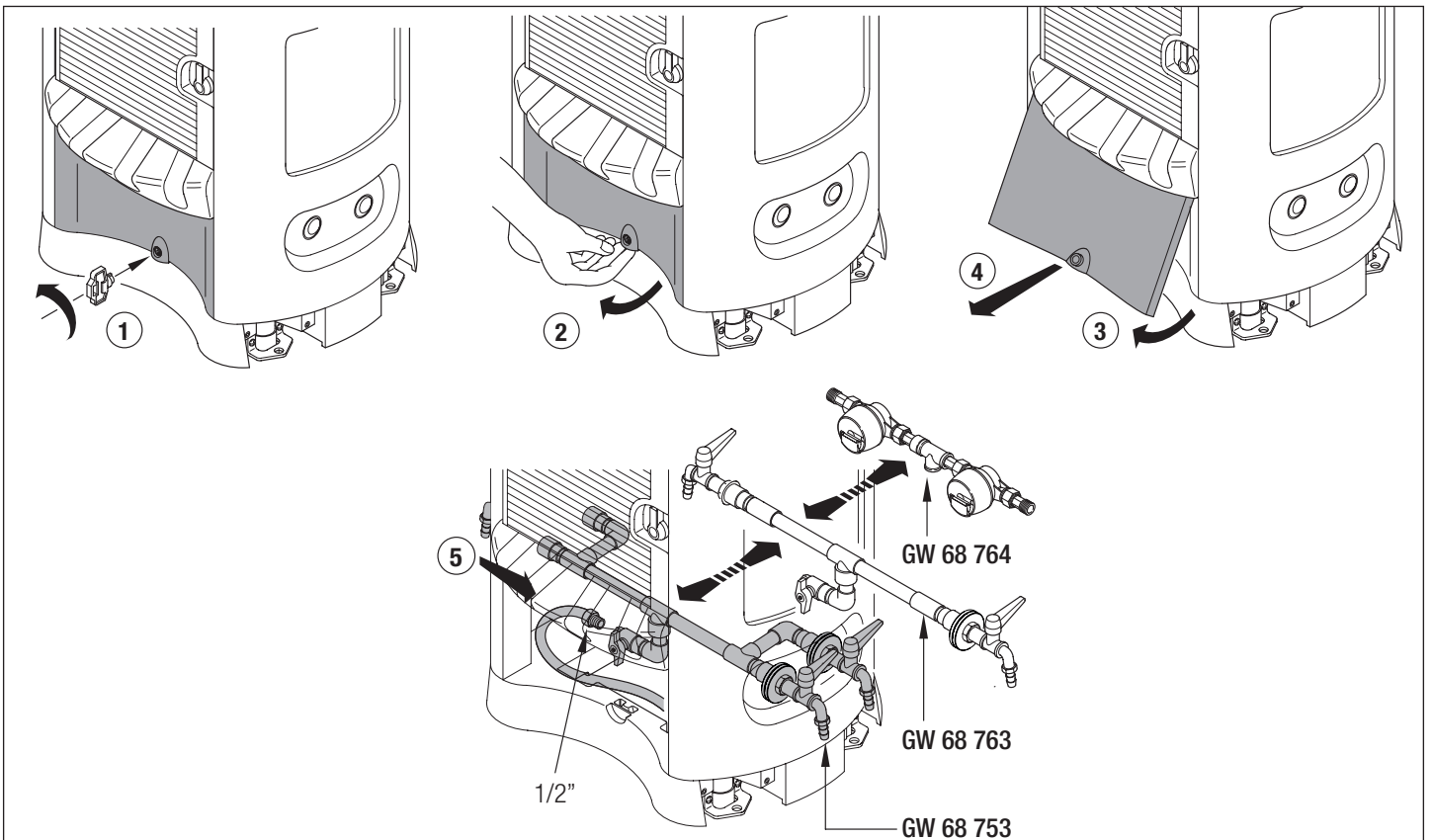
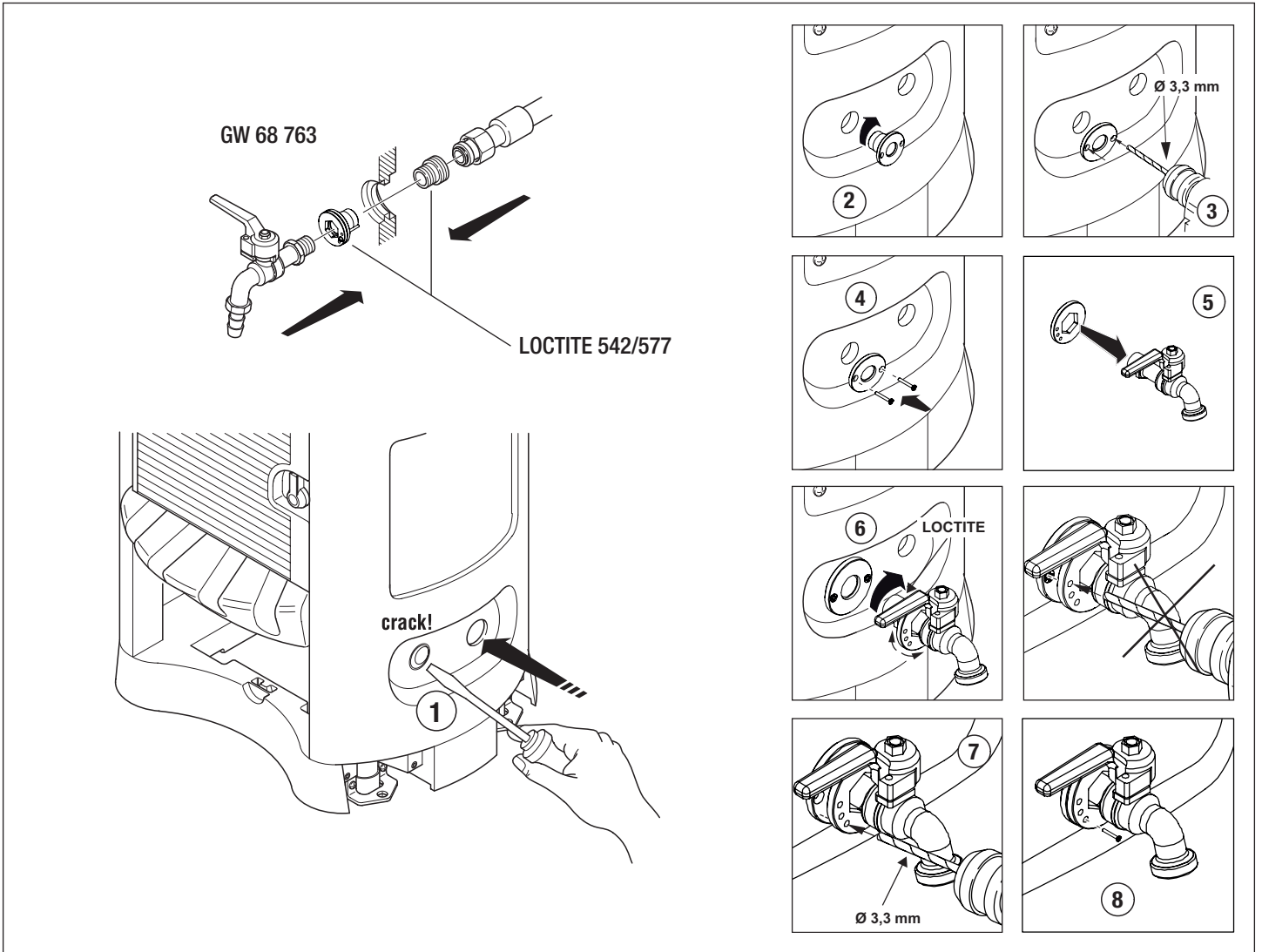


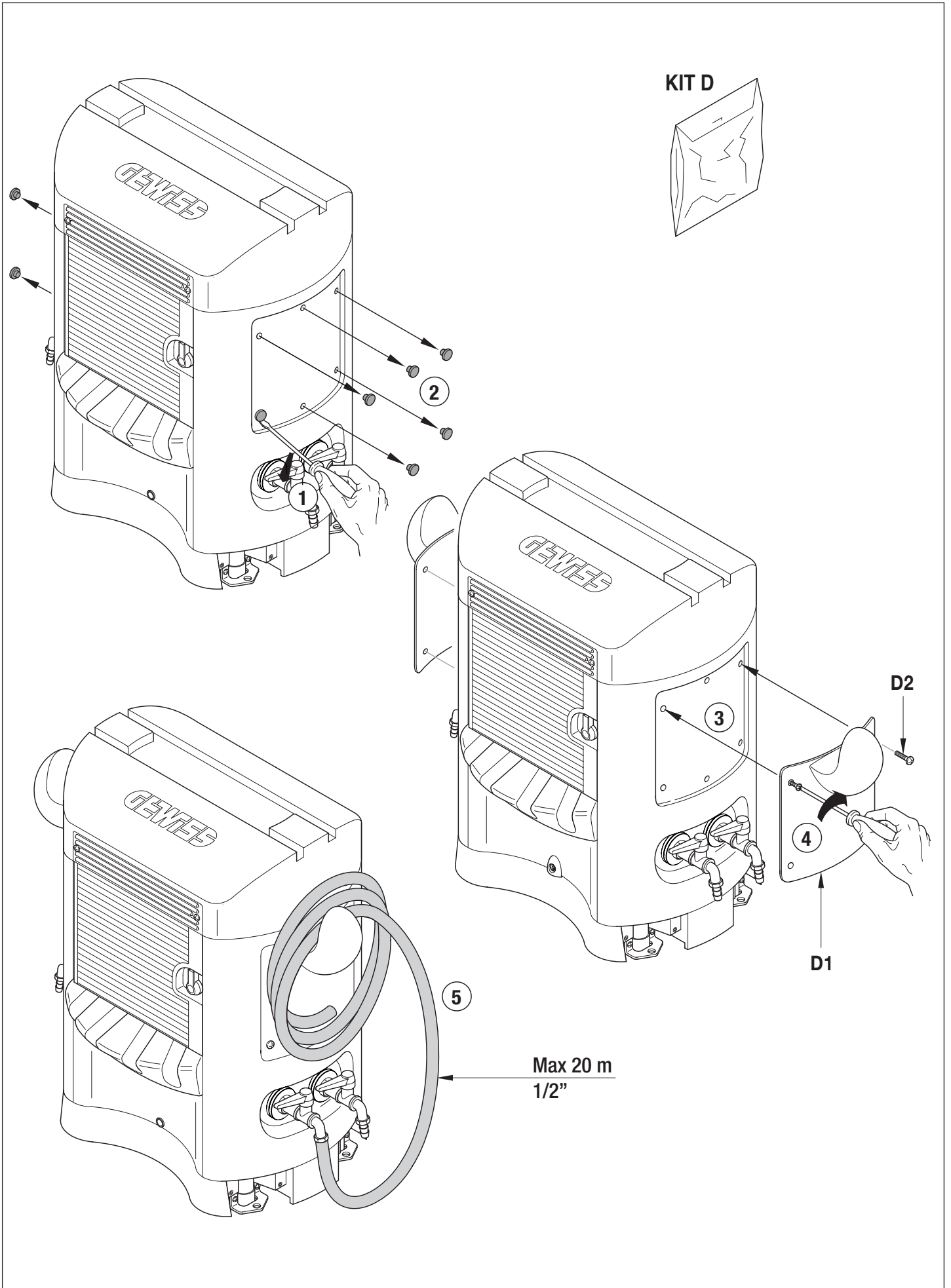


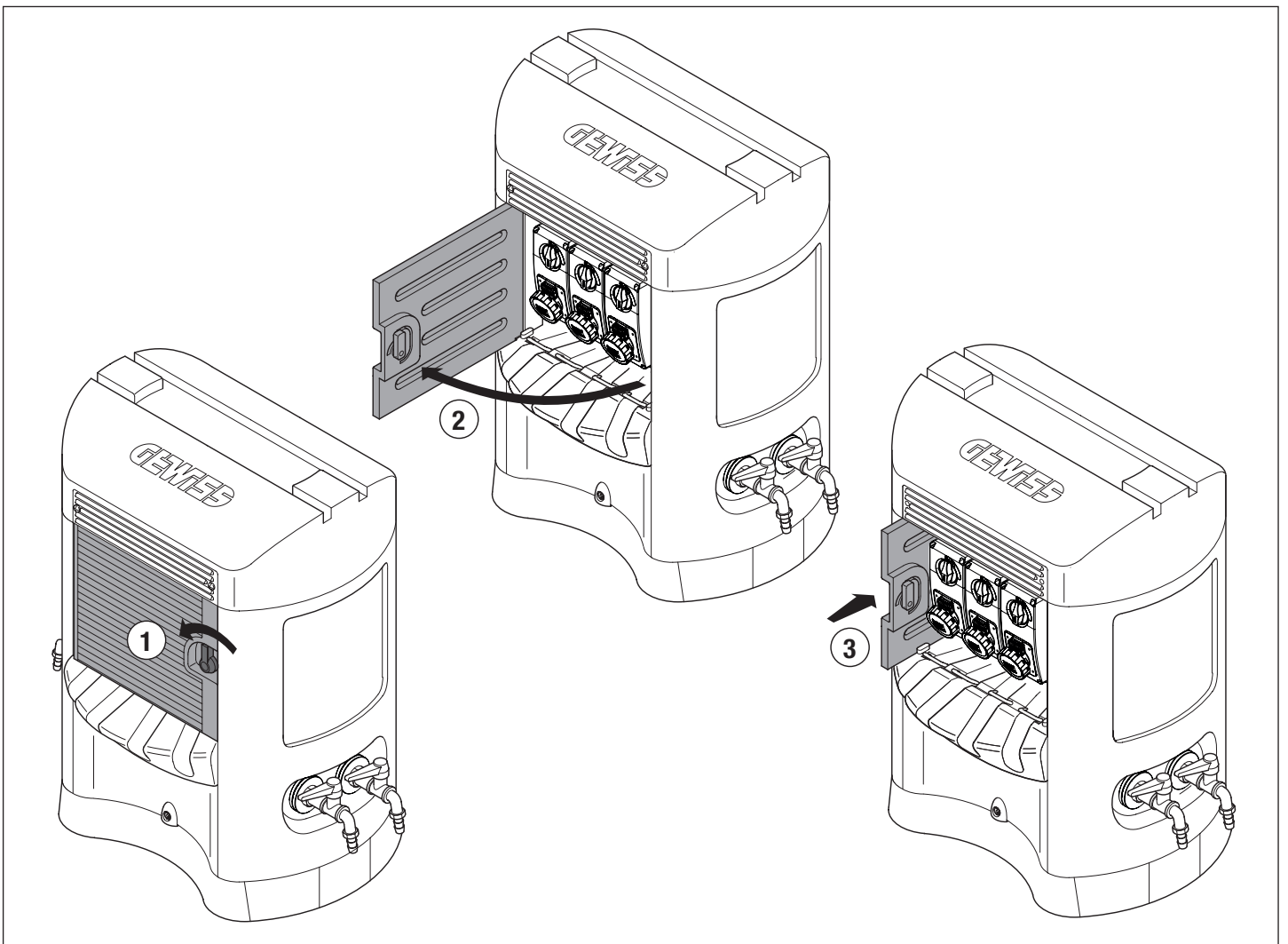
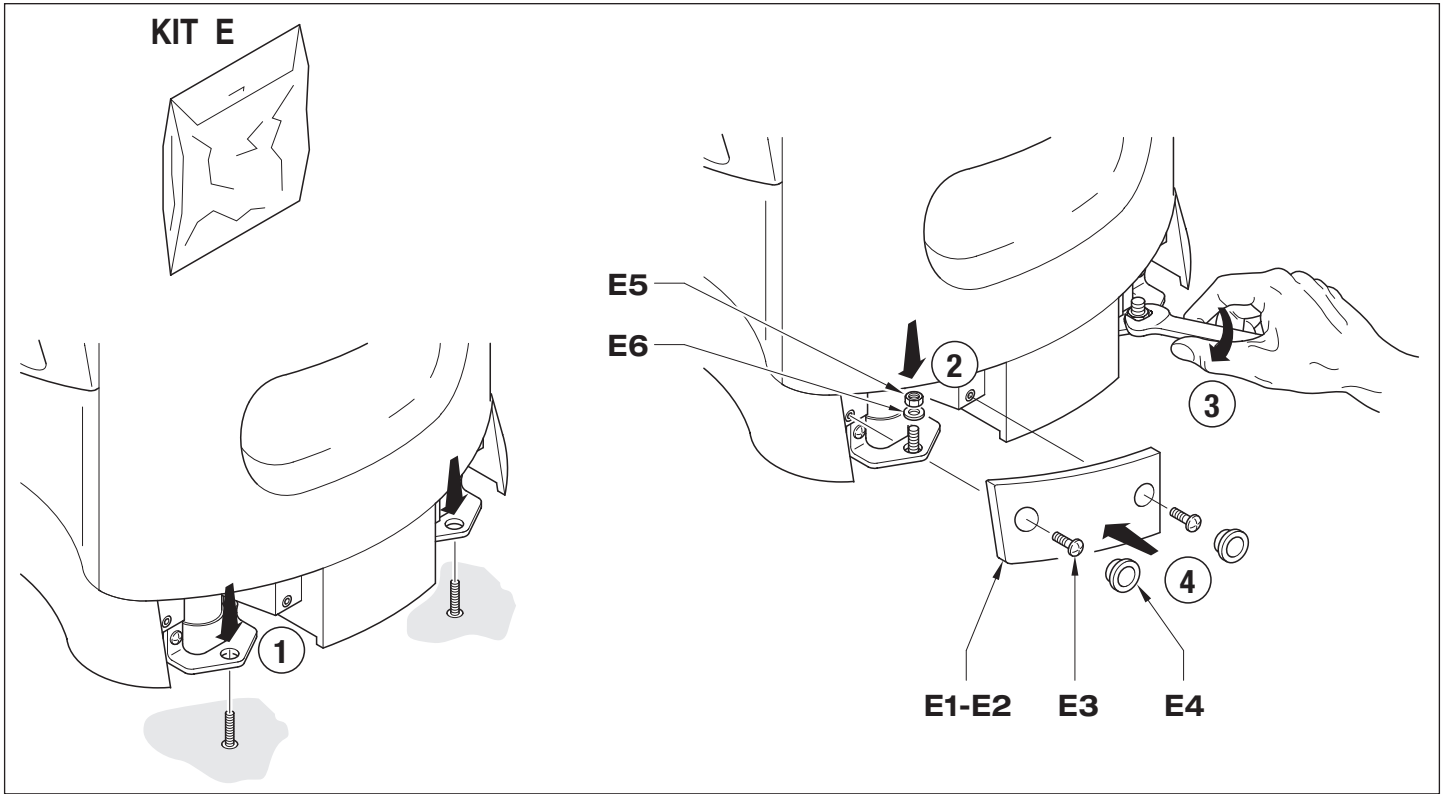


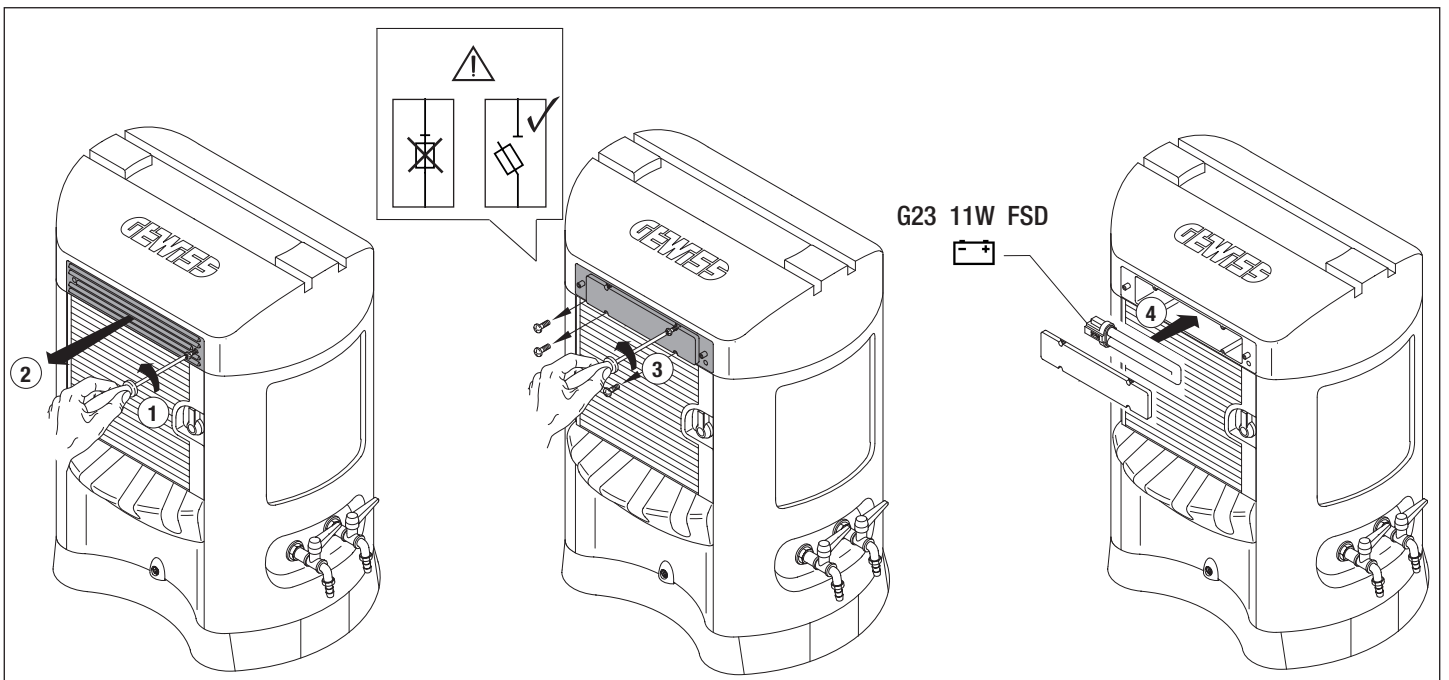
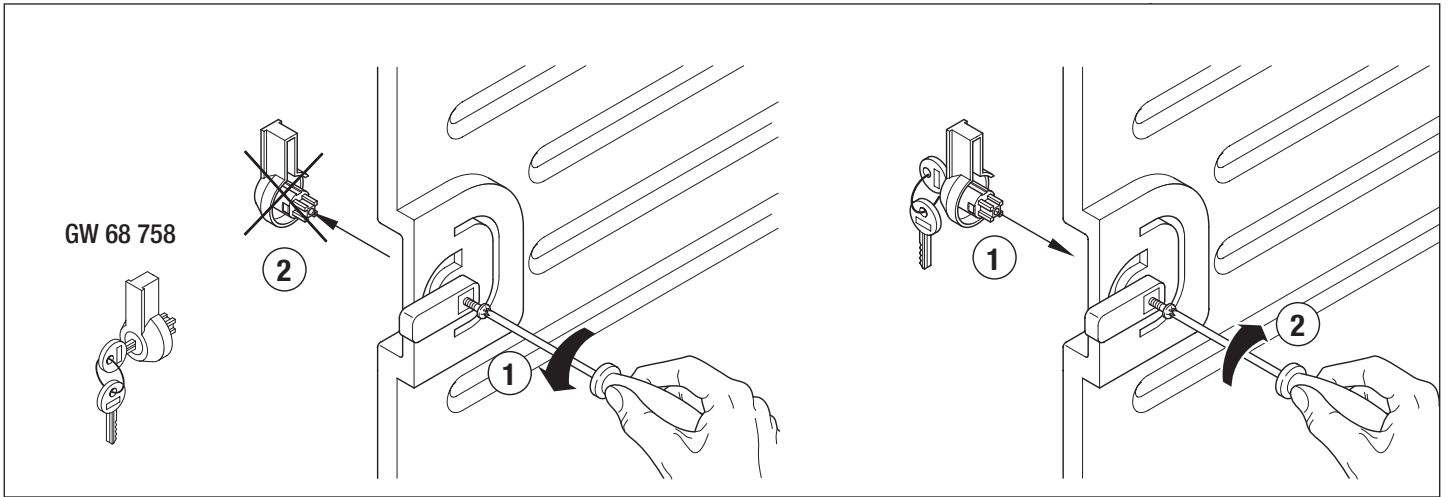
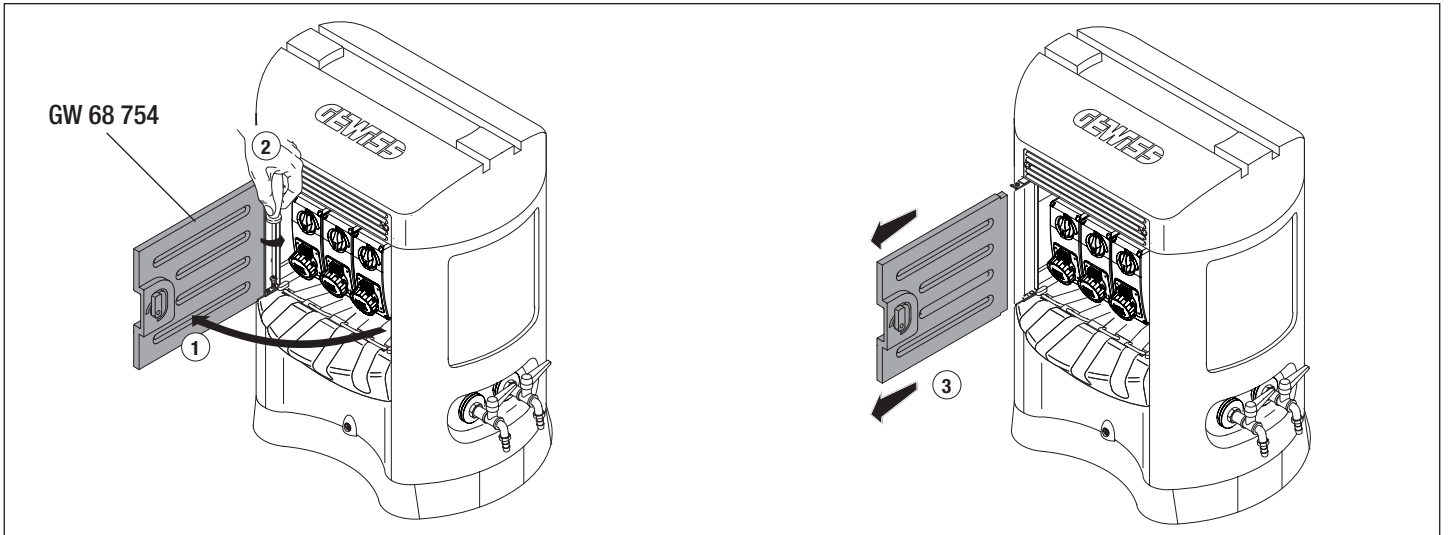


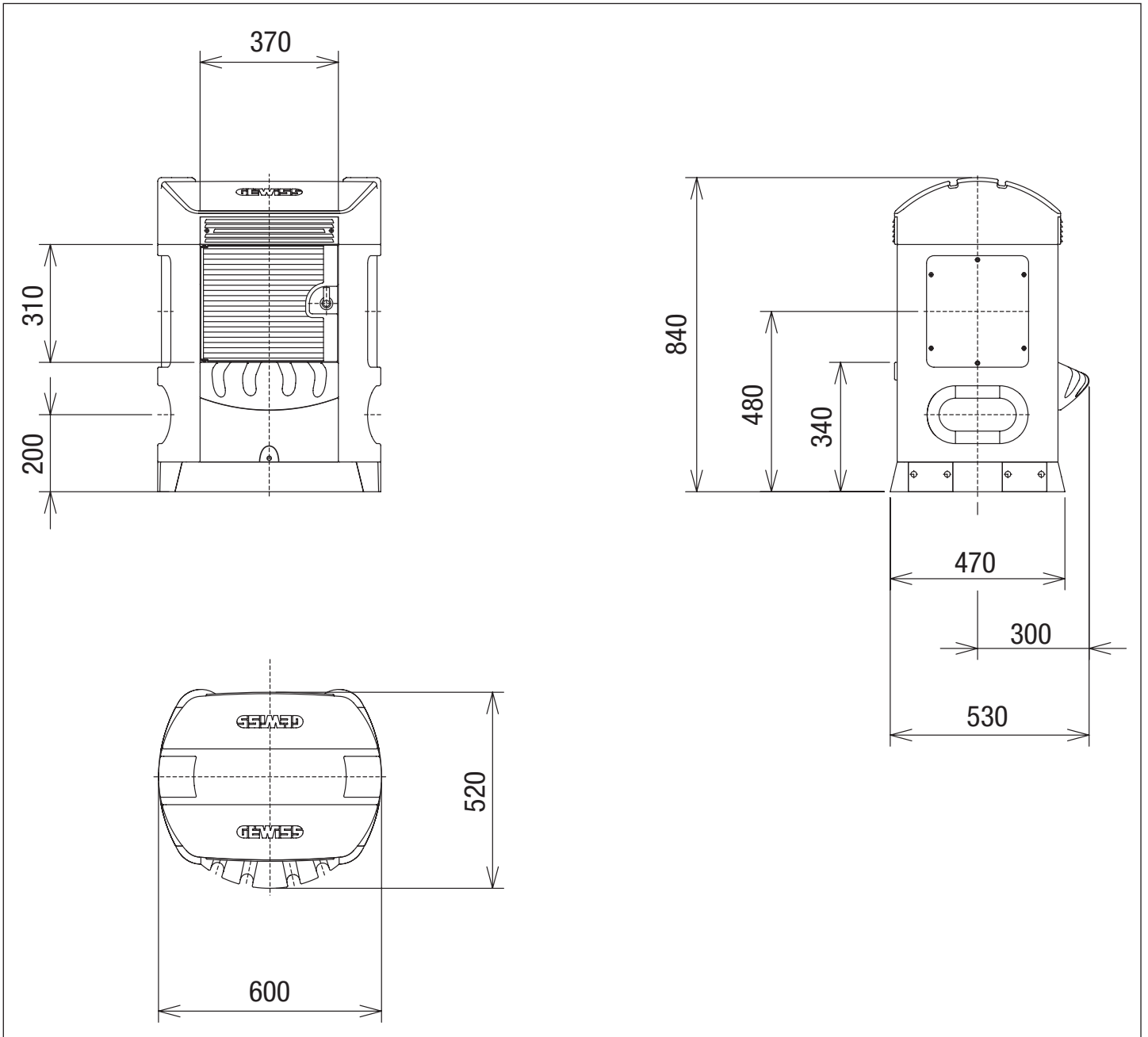












75546762

Punto di contatto indicato in adempimento ai fini delle direttive e regolamenti UE applicabili:
Contact details according to the relevant European Directives and Regulations:
GEWISS S.p.A. Via D.Bosatelli, 1 IT-24069 Cenate Sotto (BG) Italy tel: +39 035 946 111 E-mail: qualitymarks@gewiss.com

According to applicable UK regulations, the company responsible for placing the goods in UK market is:
GEWISS UK LTD - Unity House, Compass Point Business Park, 9 Stocks Bridge Way, ST IVES
Cambridgeshire, PE27 5JL, United Kingdom tel: +44 1954 712757 E-mail: gewiss-uk@gewiss.com



+39 035 946 111
8:30 - 12:30 / 14:00 - 18:00
lunedì - venerdì / monday - friday



www.gewiss.com



ULTIMA REVISIONE 09/2024