
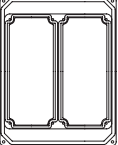

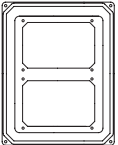


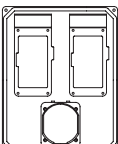

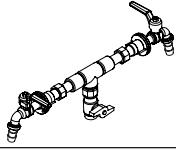
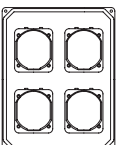
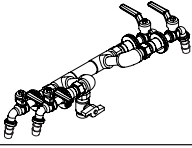
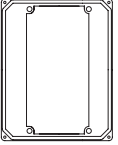
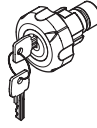
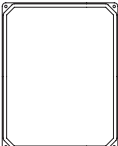
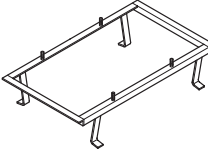
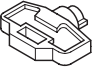
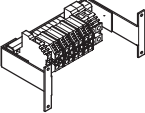

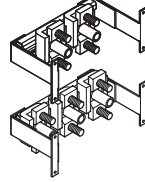

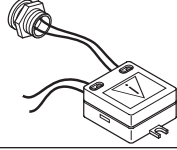

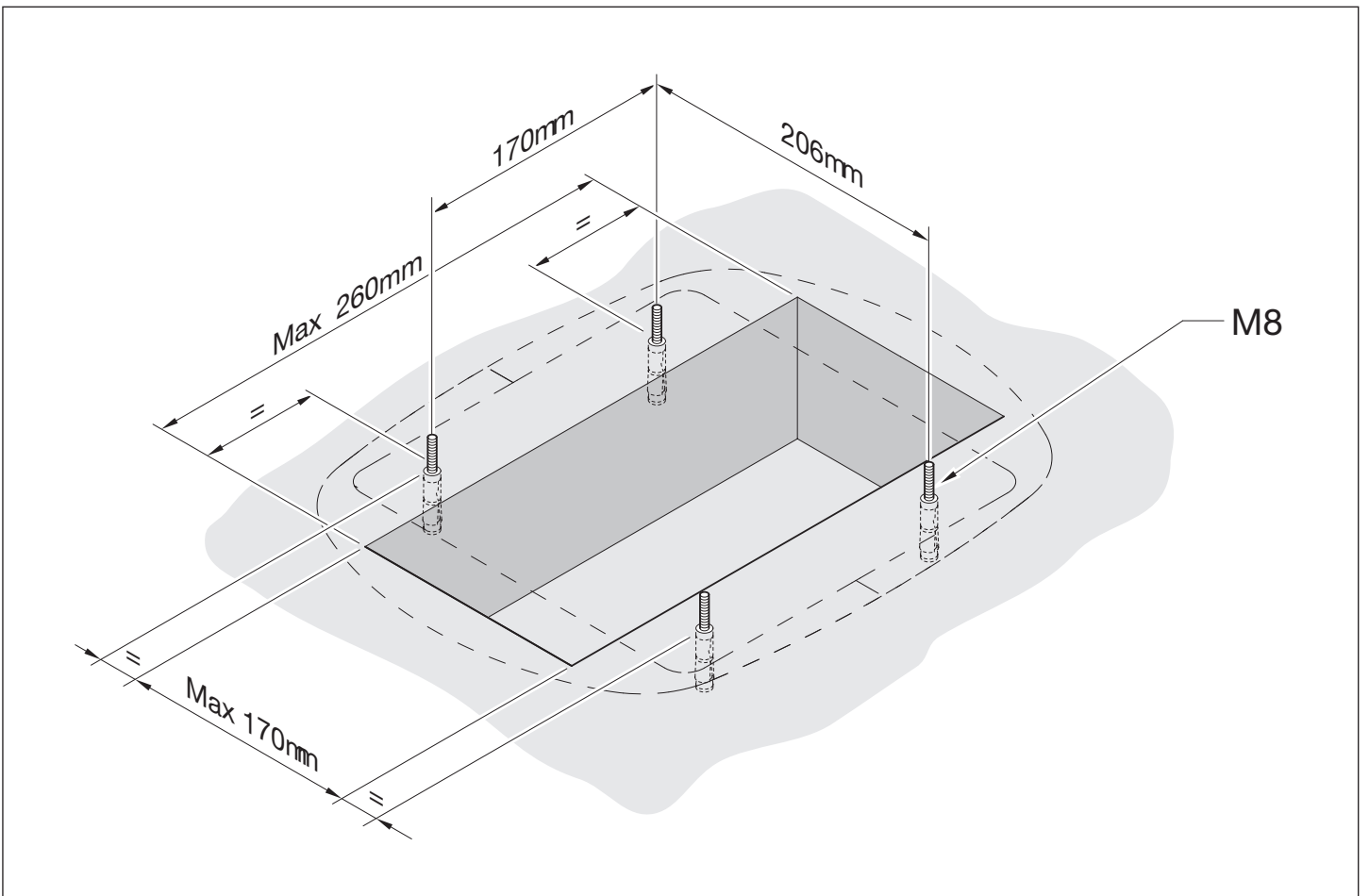
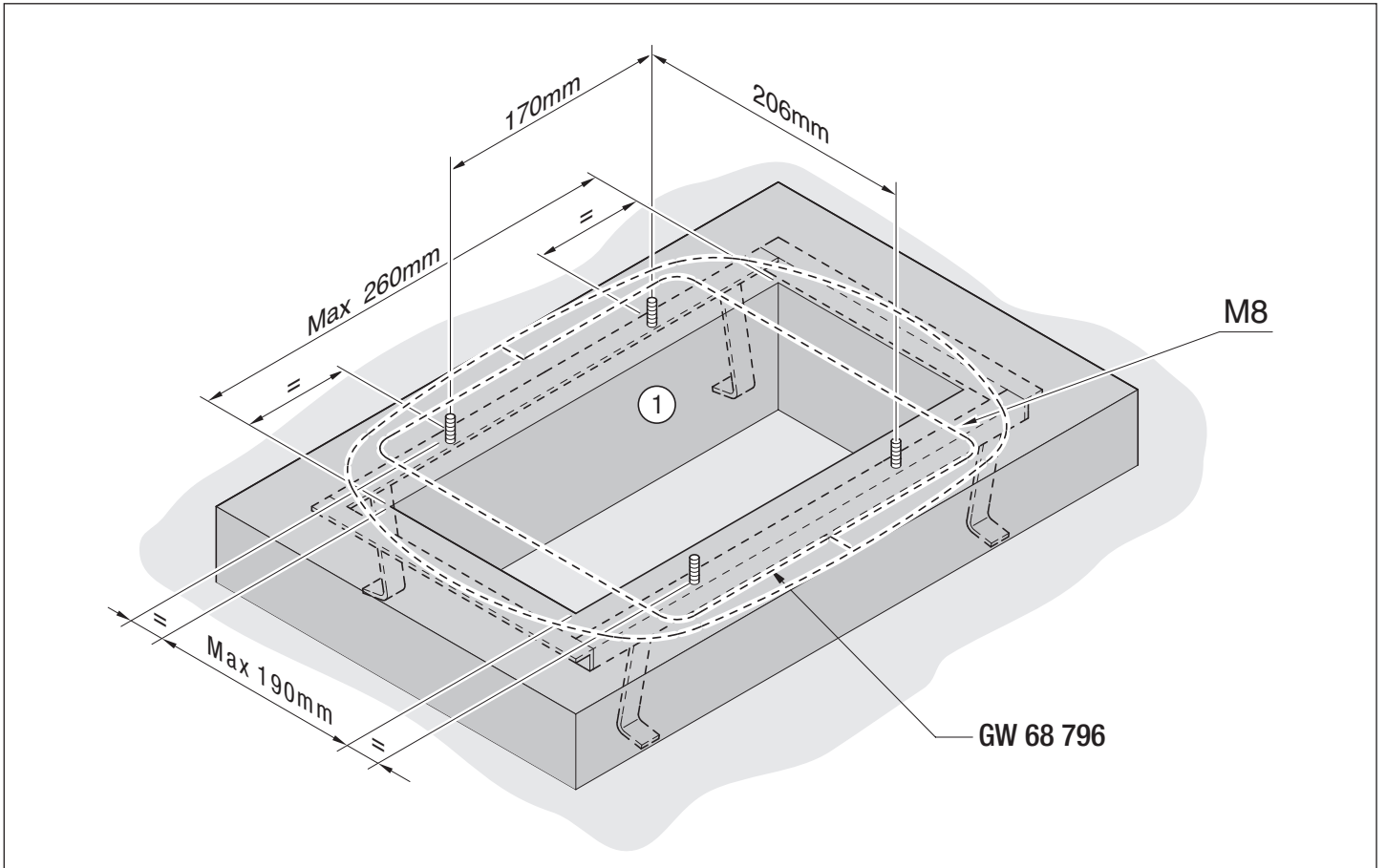
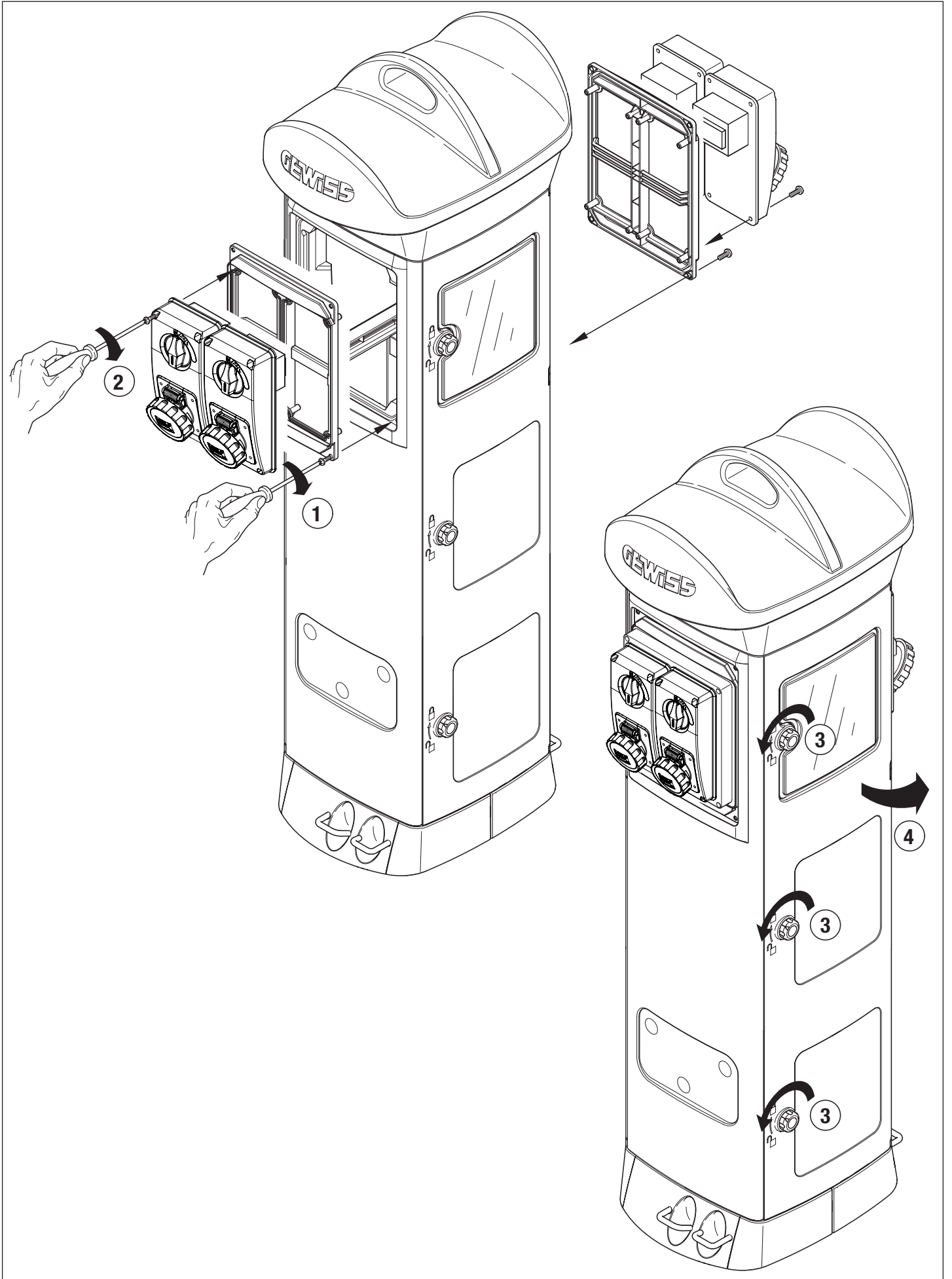
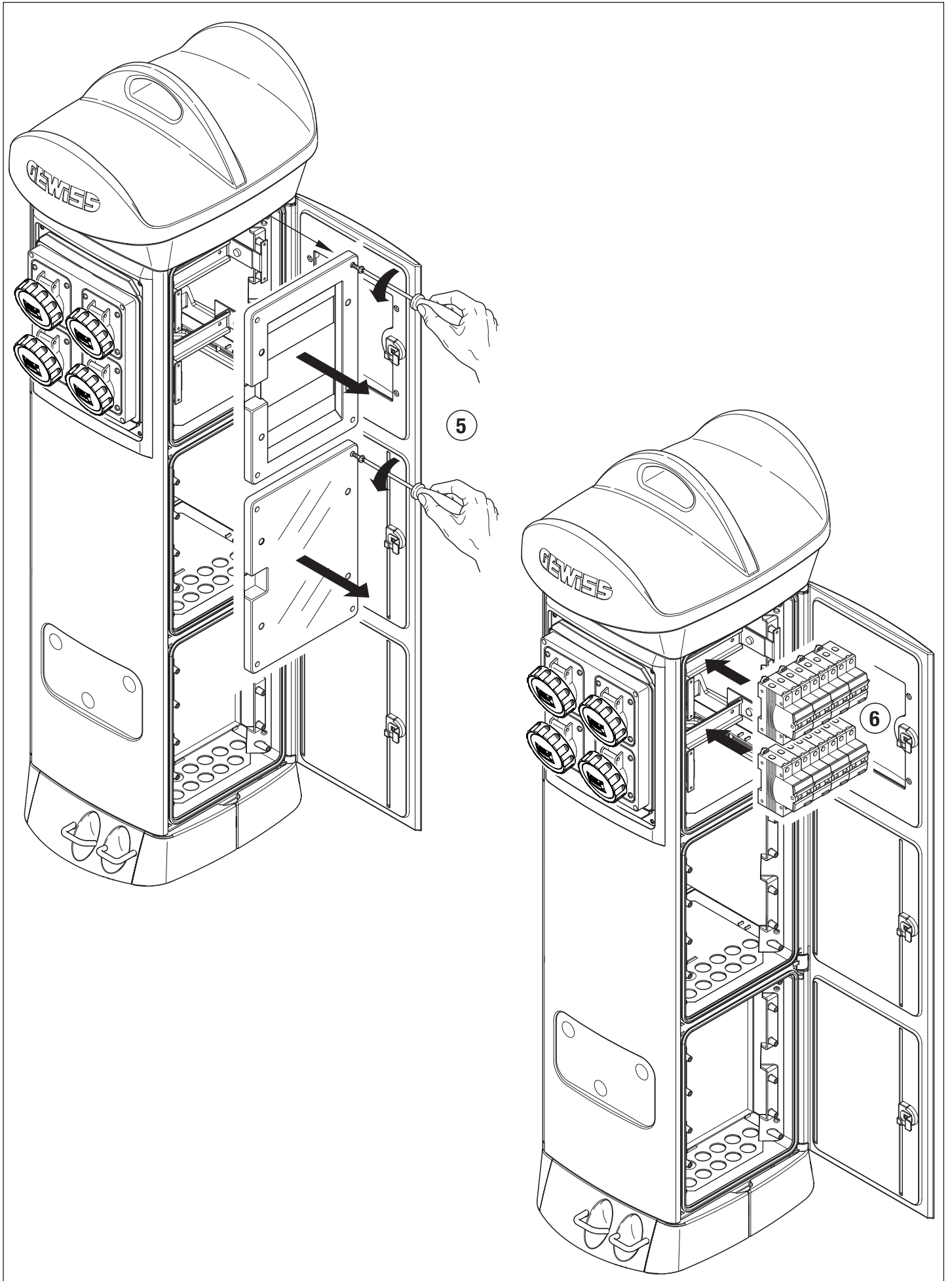
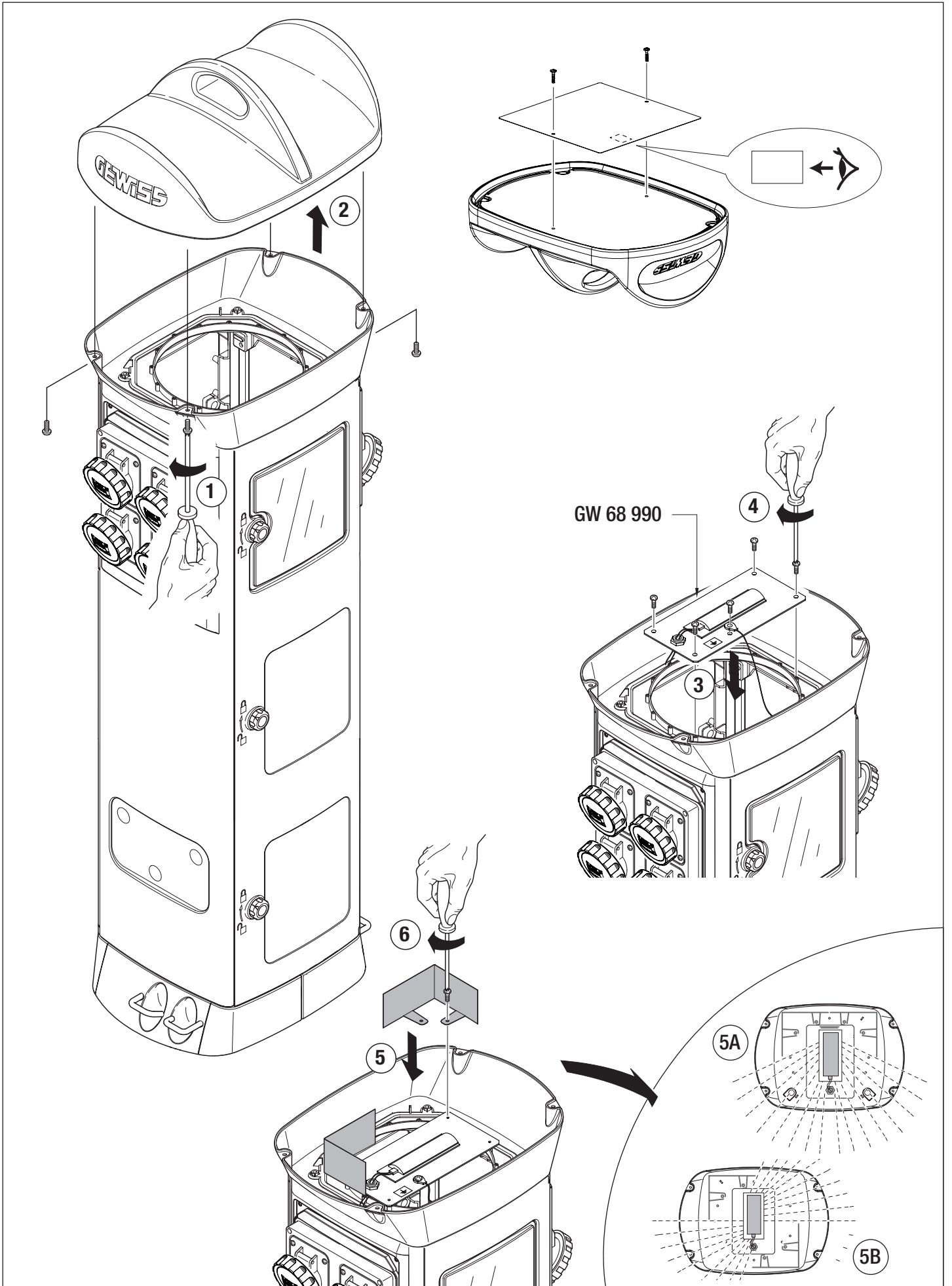
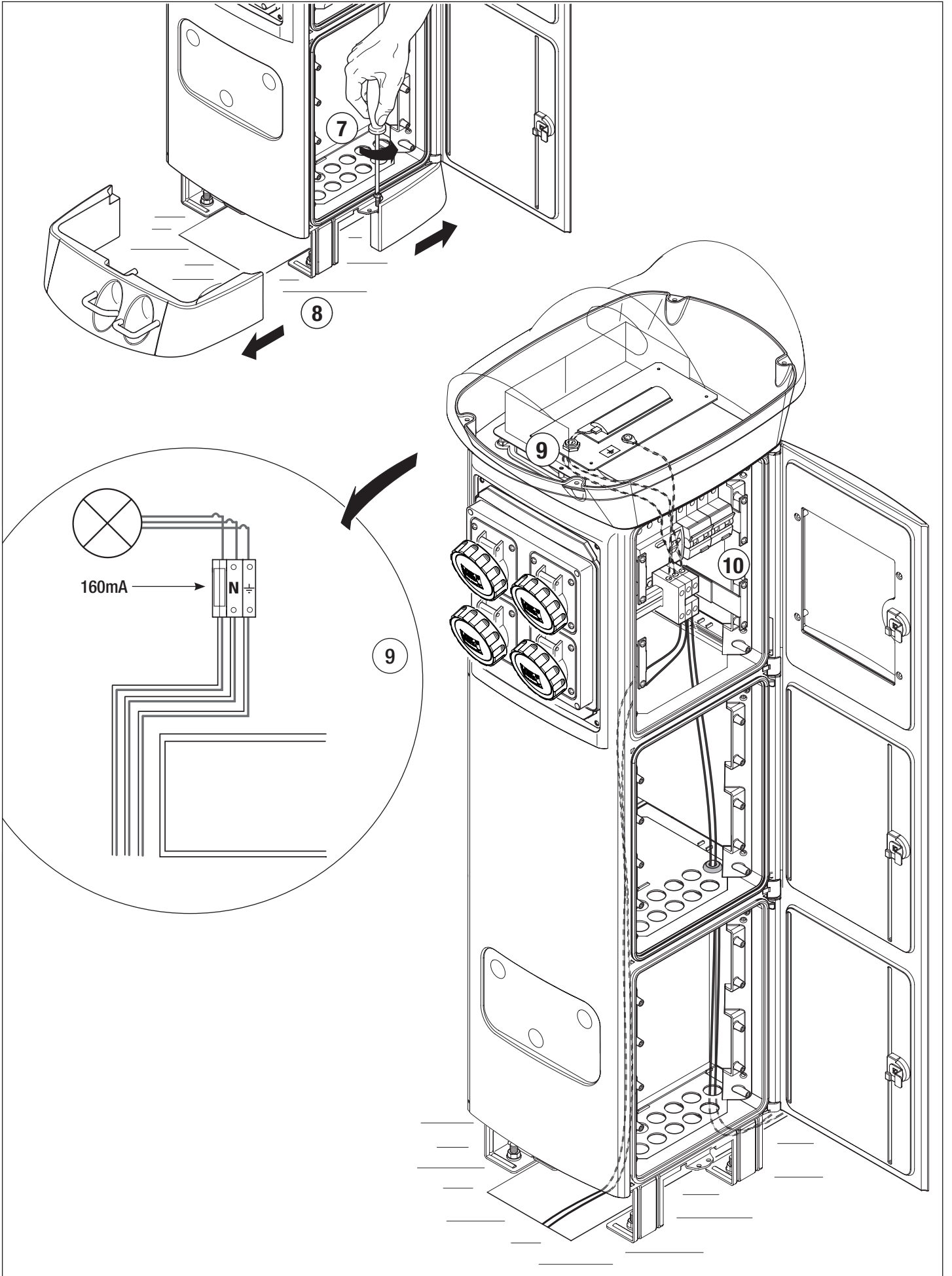
	GW 68 990 
	GW 68 745A/W	2 67 IB IP67 16/32A		GW 68 790 
	GW 68 746A/W	2 44 IB IP44 16/32A		GW 68 791  
	GW 68 747A/W	2 COMBIBLOC	1 	
	GW 68 748A/W	4 IEC 309 HP 16/32A	27 COMBI IP55 (85x75mm)	
	GW 68 749A/W	1 67 IB IP67 63A		
	GW 68 750A/W			
A1		2		
B1	 ø9	4		
B2	 M8	4		
				

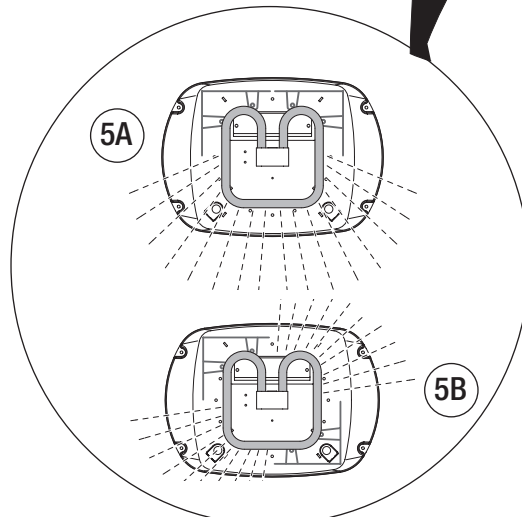
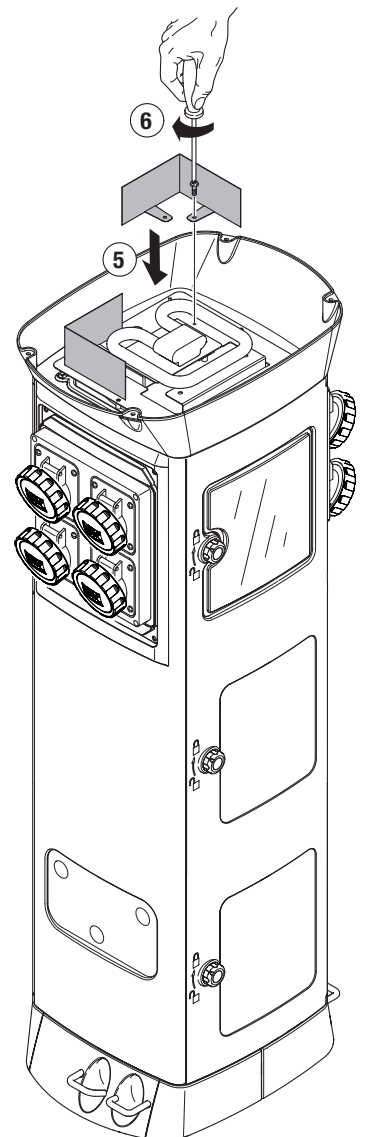
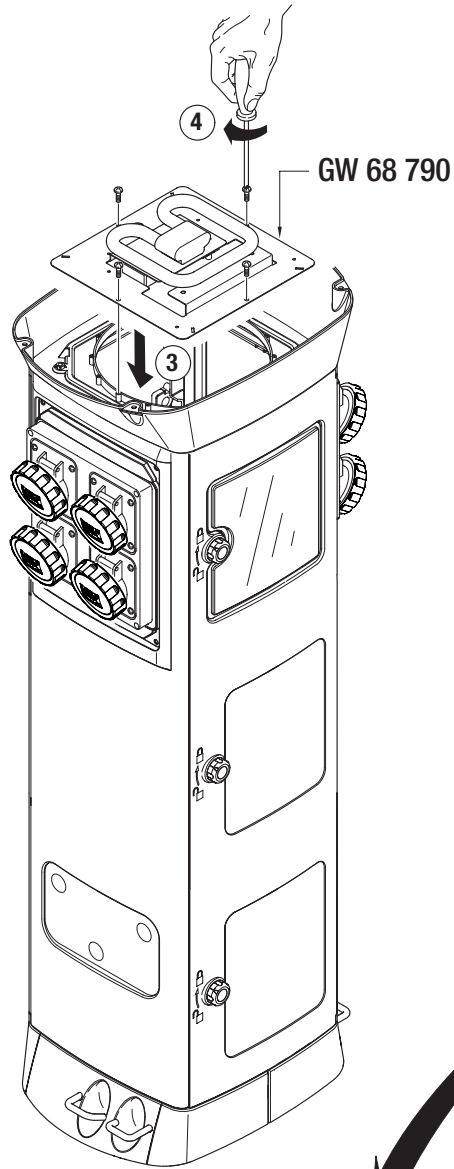
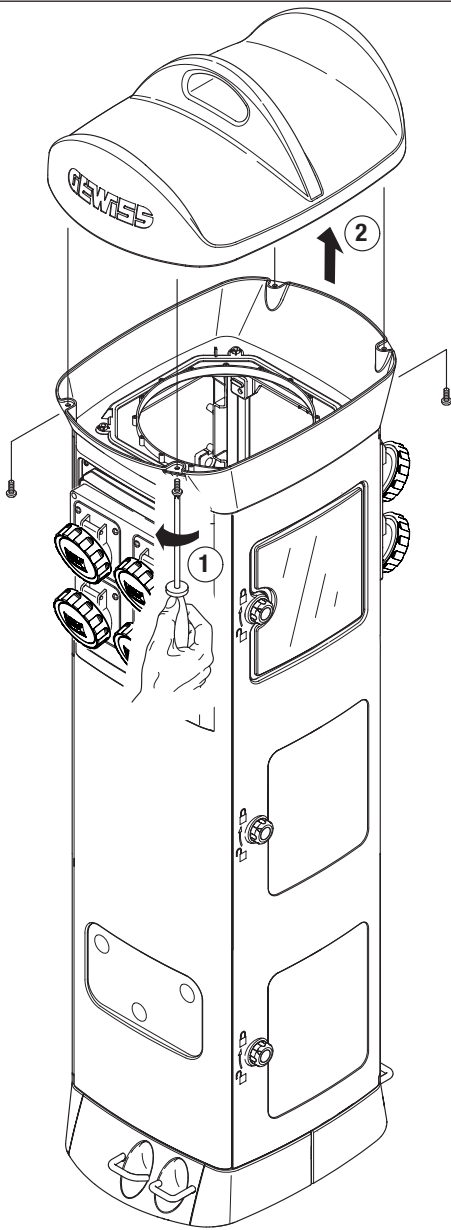


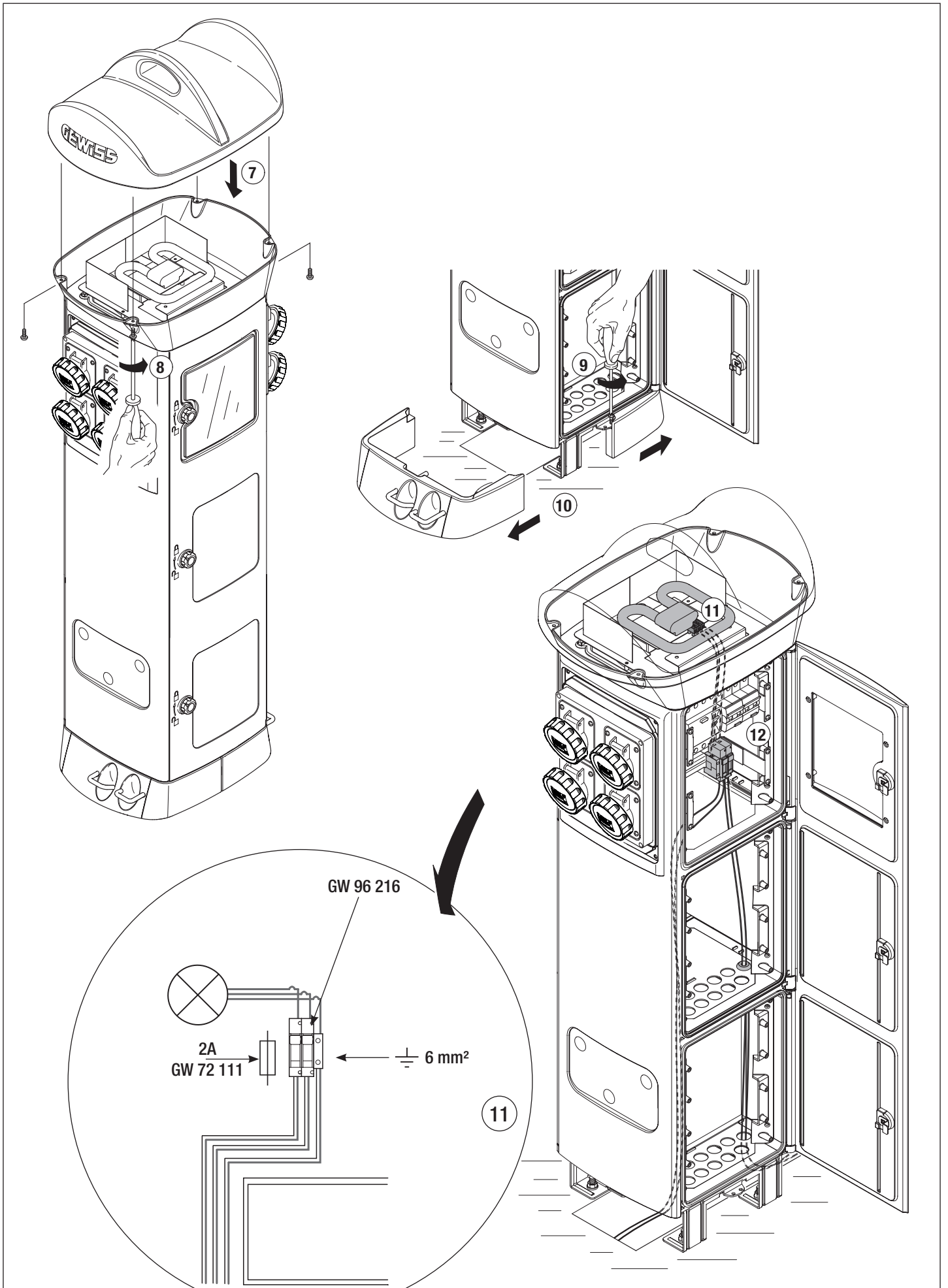


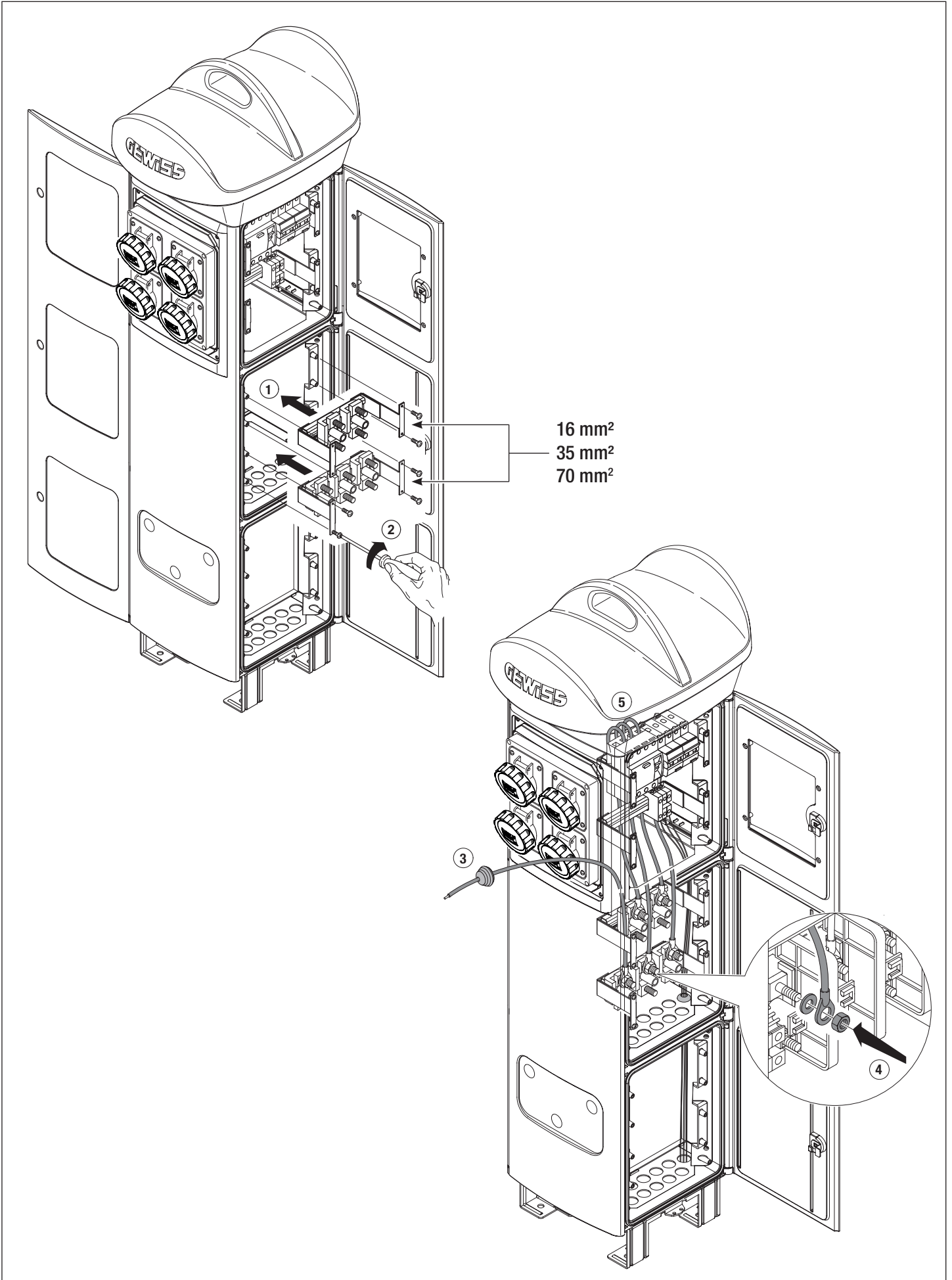


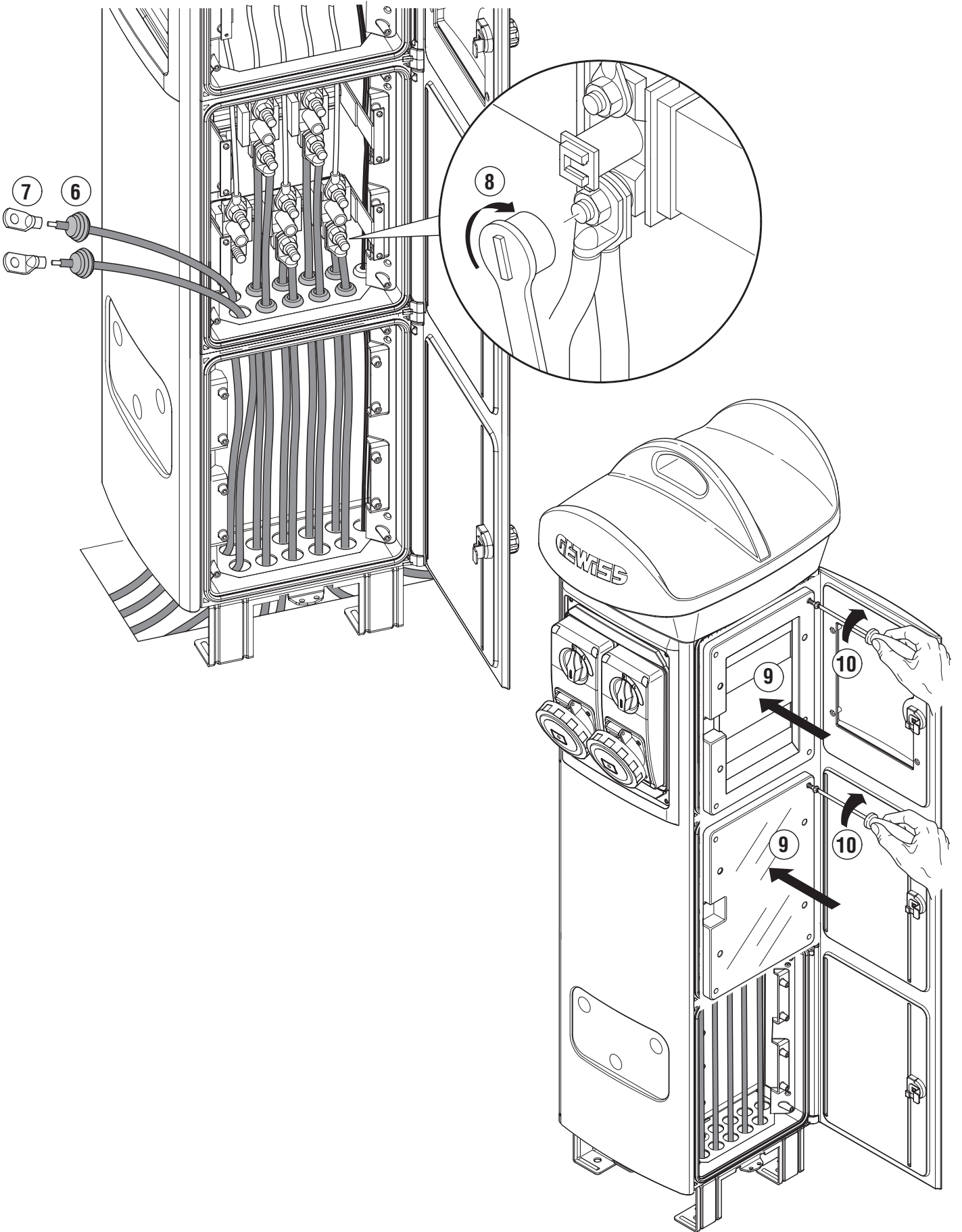


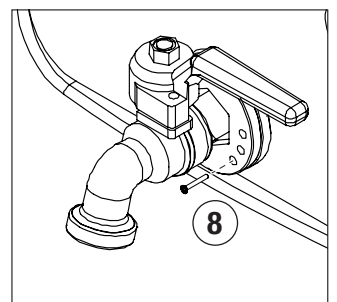
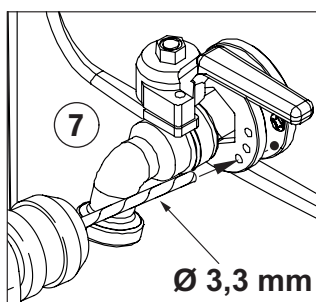
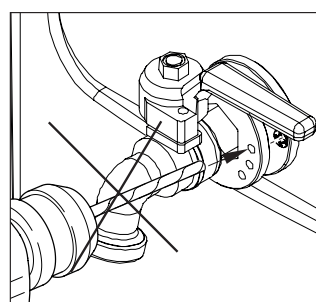
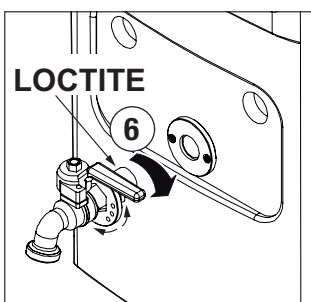
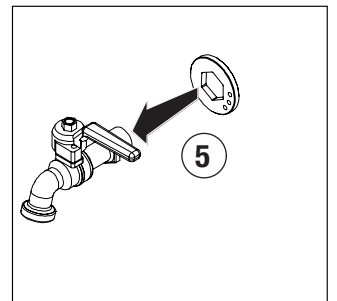
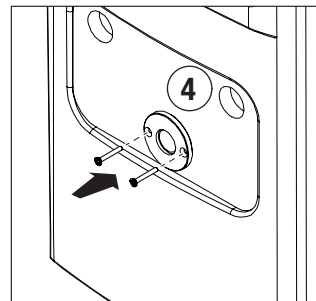
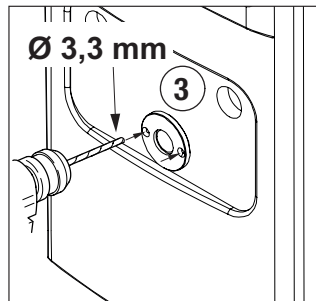
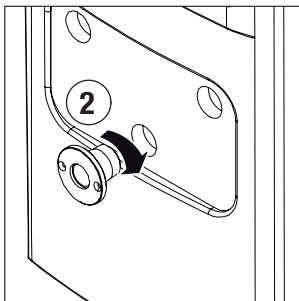
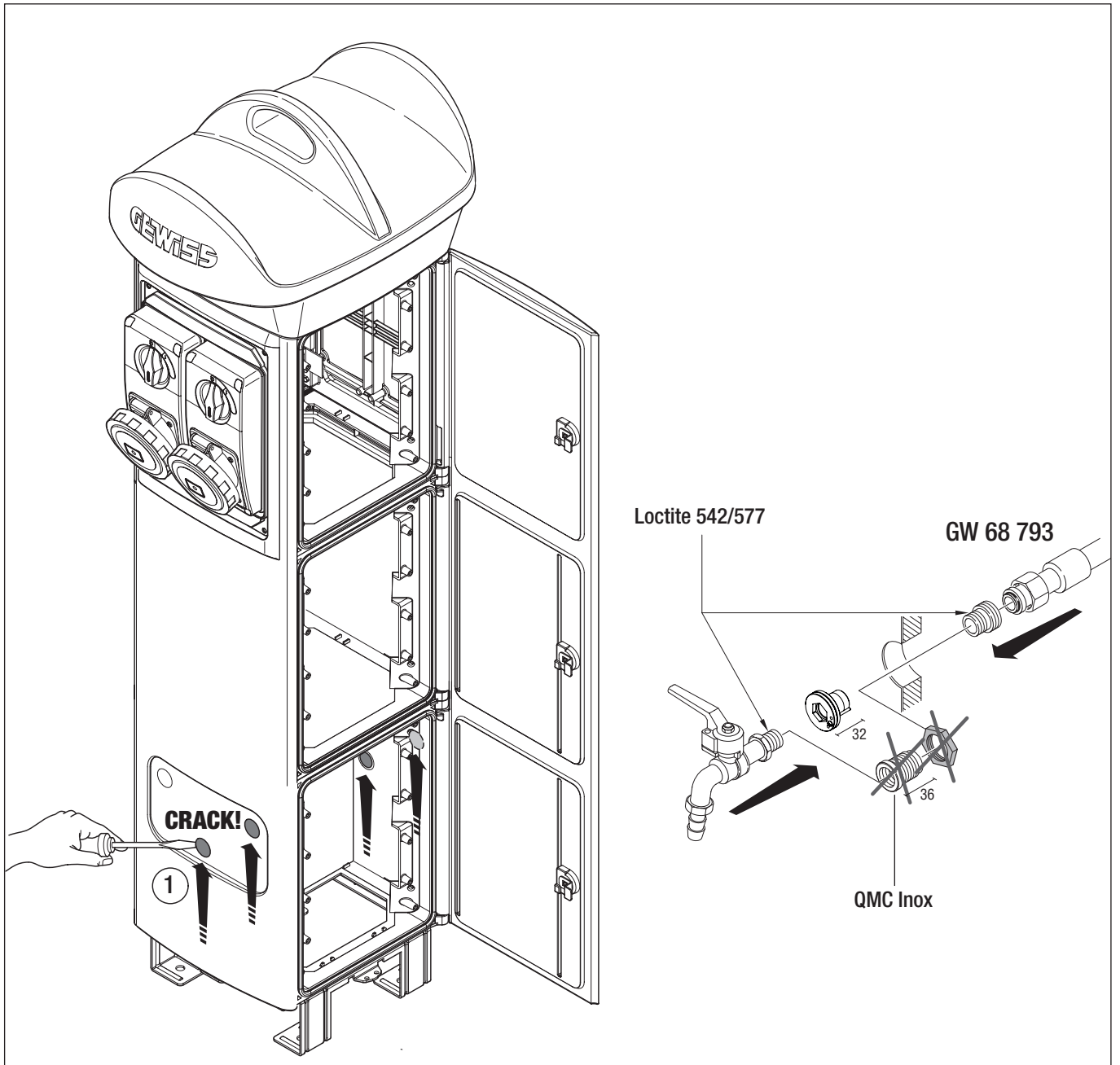


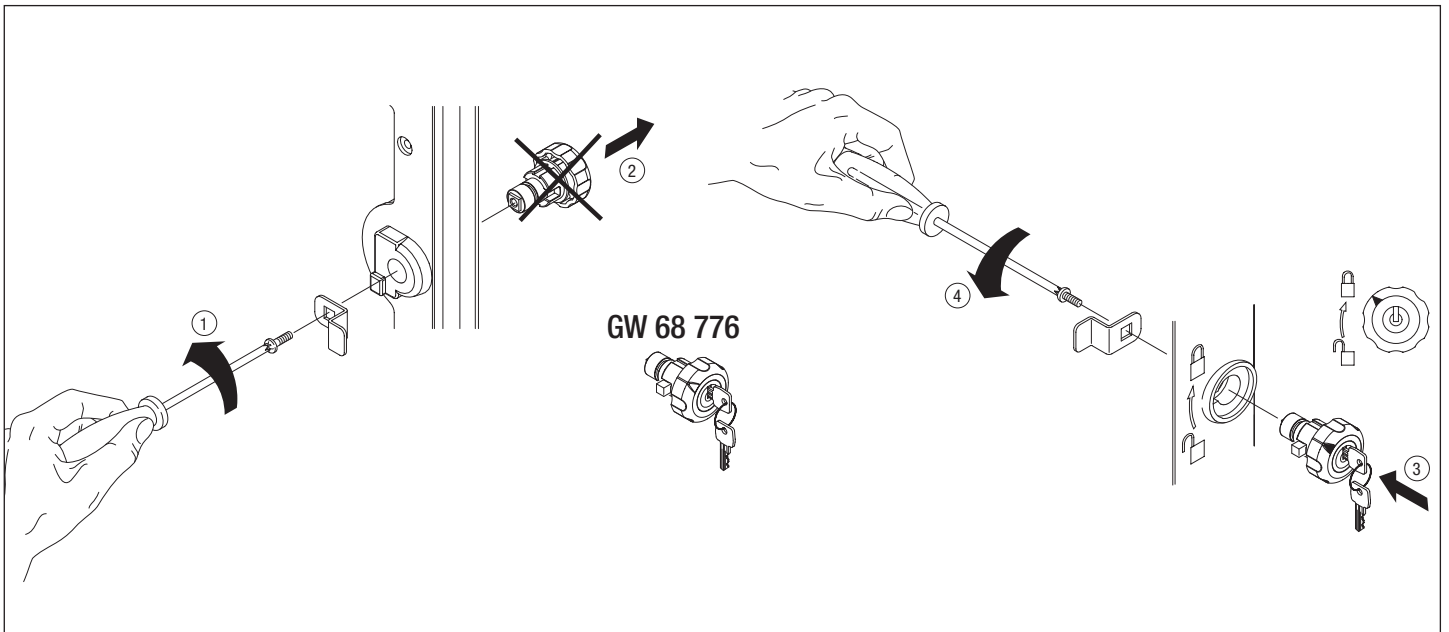
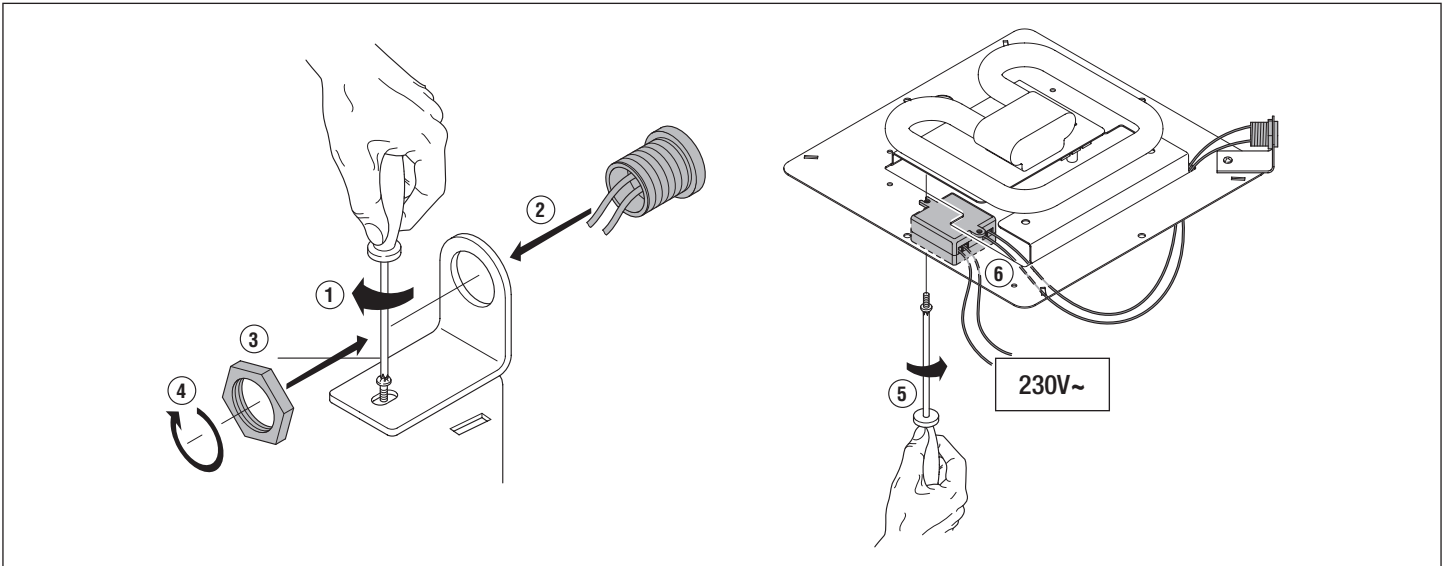
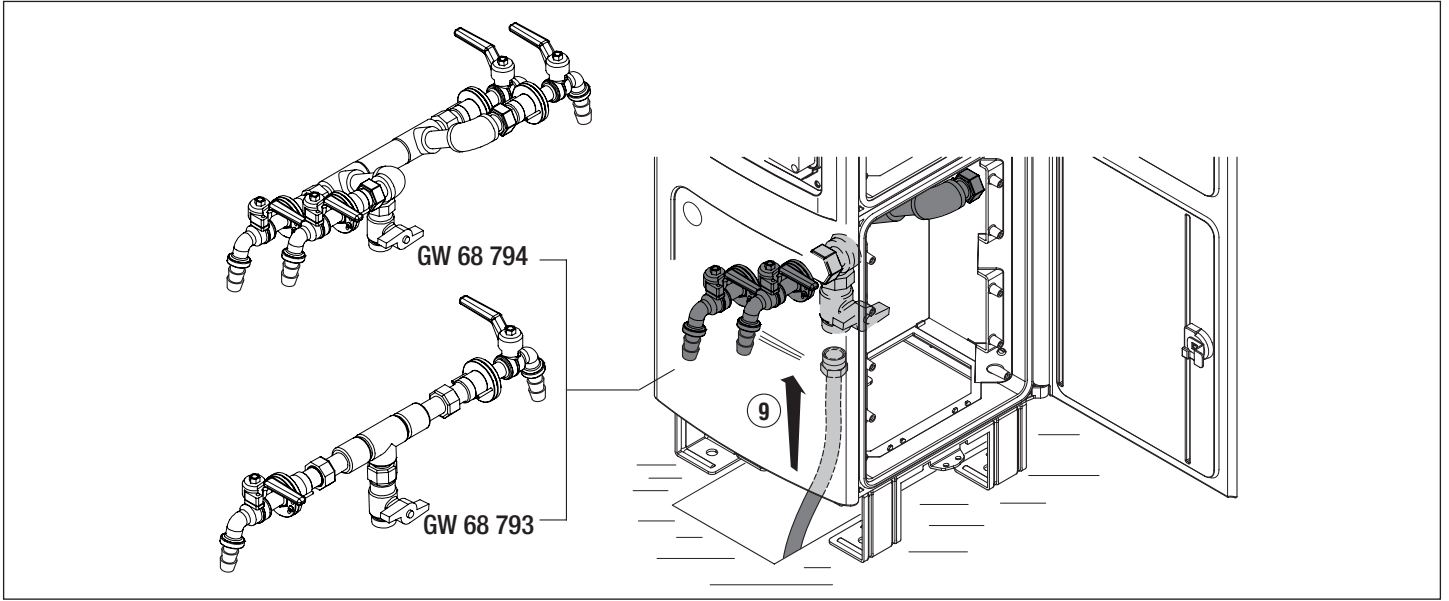


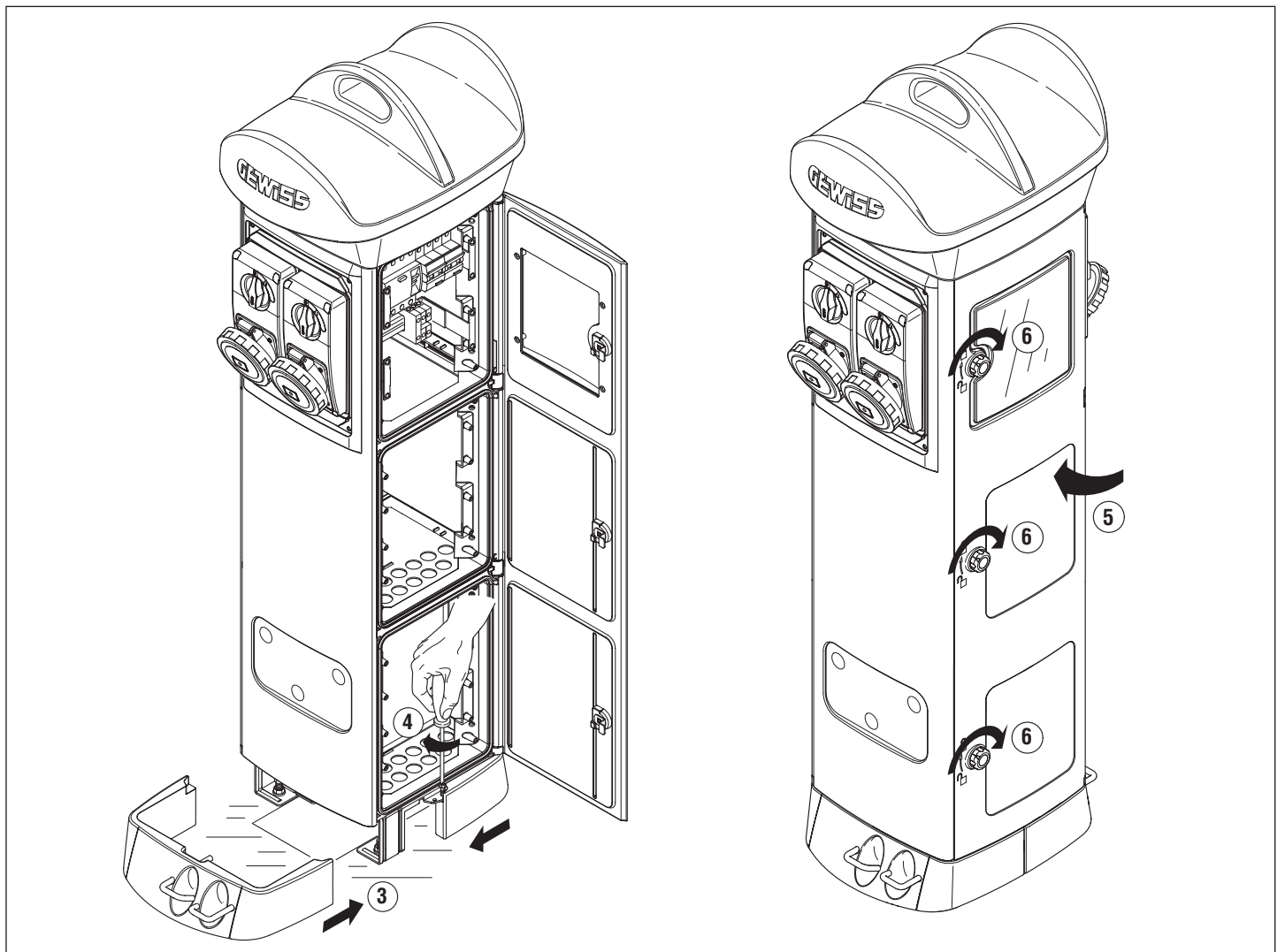
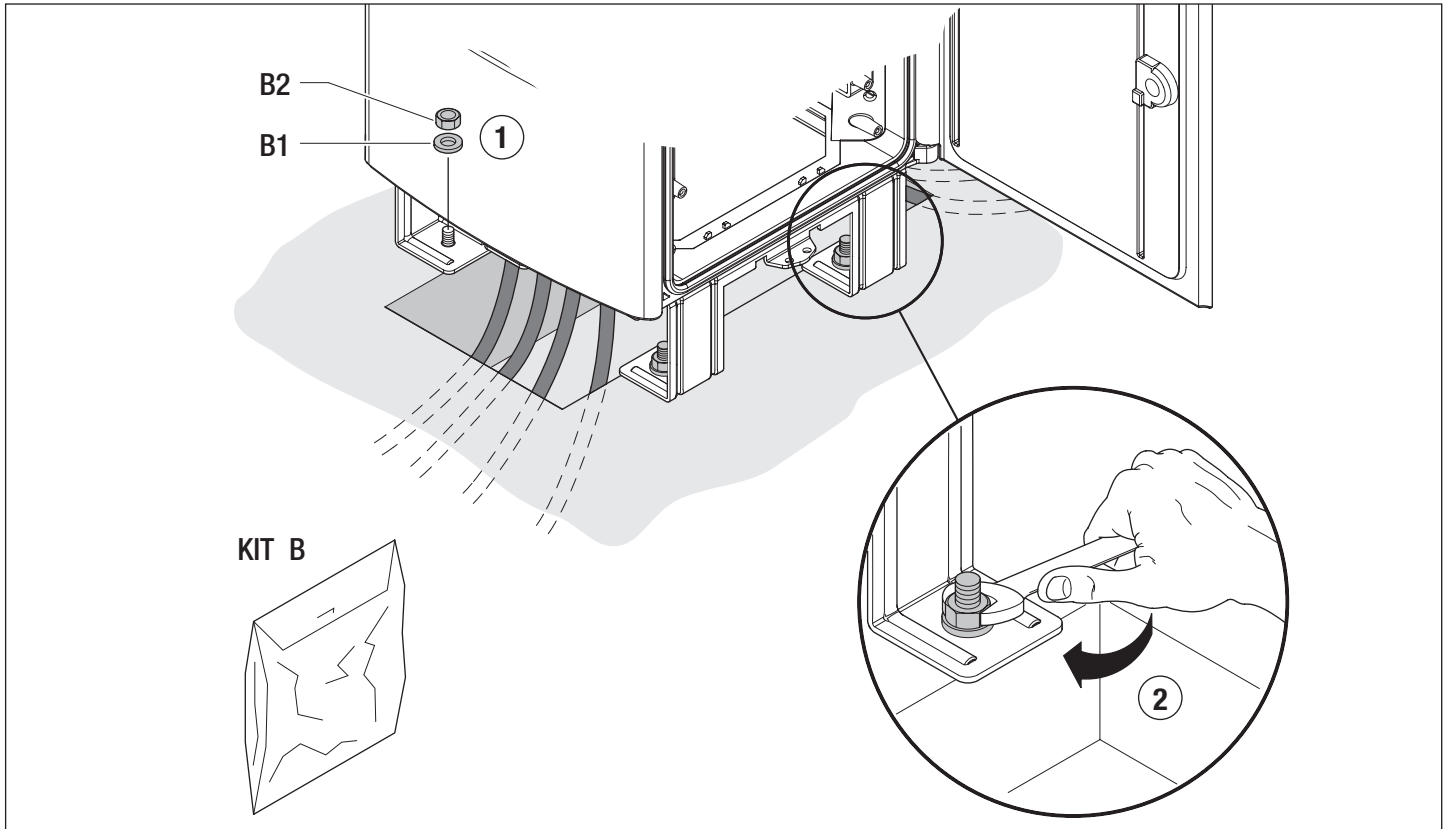


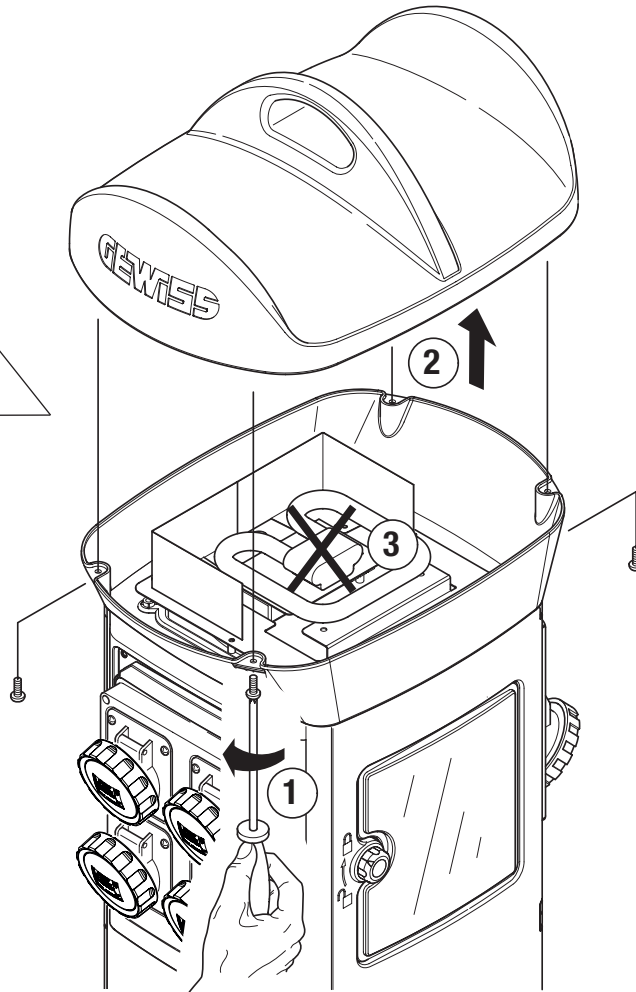
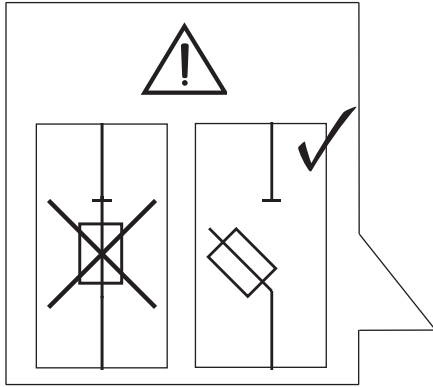




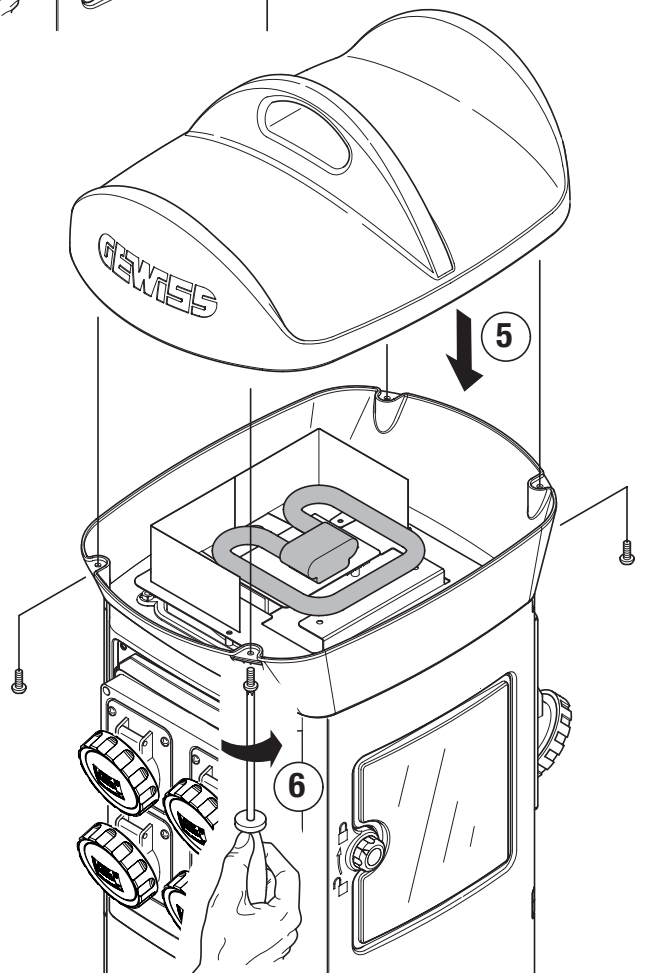
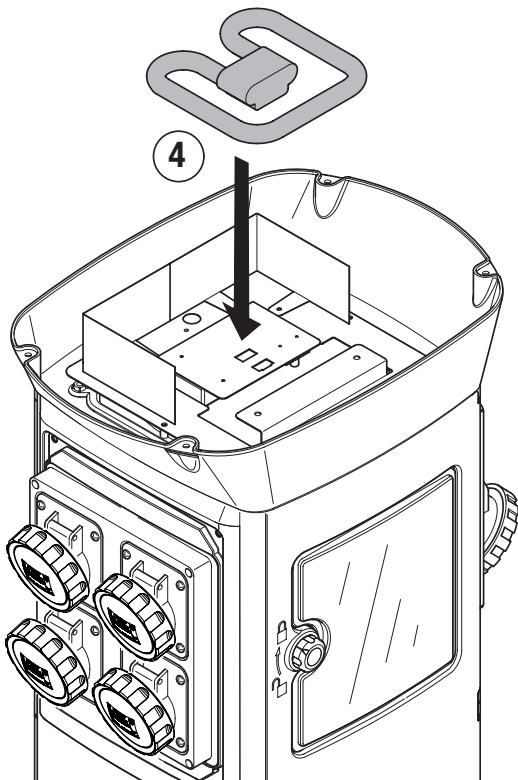


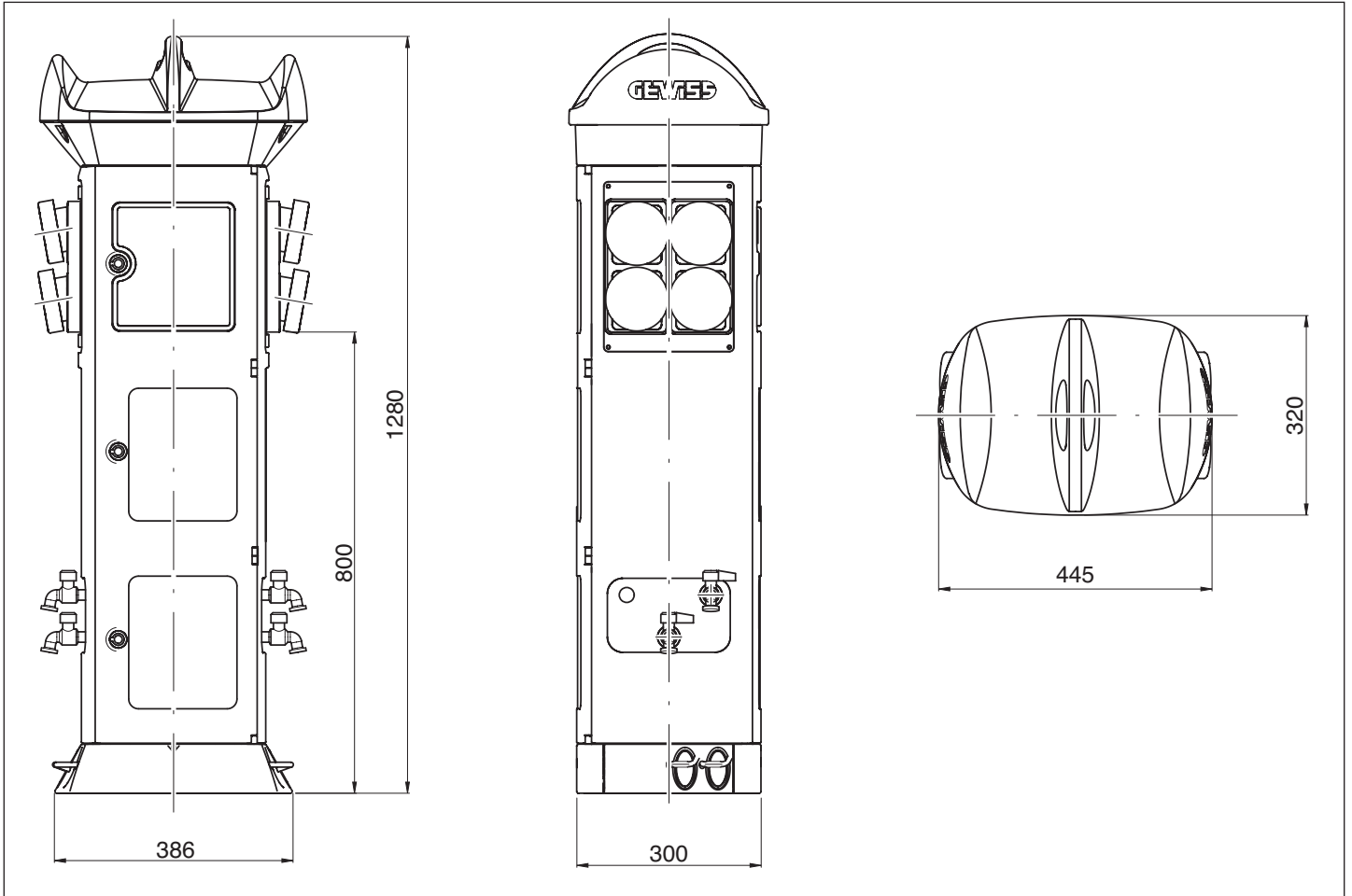






16W/835 2 Pin GR8





75546754

Punto di contatto indicato in adempimento ai fini delle direttive e regolamenti UE applicabili:
Contact details according to the relevant European Directives and Regulations:
GEWISS S.p.A. Via D.Bosatelli, 1 IT-24069 Cenate Sotto (BG) Italy tel: +39 035 946 111 E-mail: qualitymarks@gewiss.com

According to applicable UK regulations, the company responsible for placing the goods in UK market is:
GEWISS UK LTD - Unity House, Compass Point Business Park, 9 Stocks Bridge Way, ST IVES
Cambridgeshire, PE27 5JL, United Kingdom tel: +44 1954 712757 E-mail: gewiss-uk@gewiss.com



+39 035 946 111

8:30 - 12:30 / 14:00 - 18:00

lunedì - venerdì / monday - friday



www.gewiss.com



ULTIMA REVISIONE 09/2024