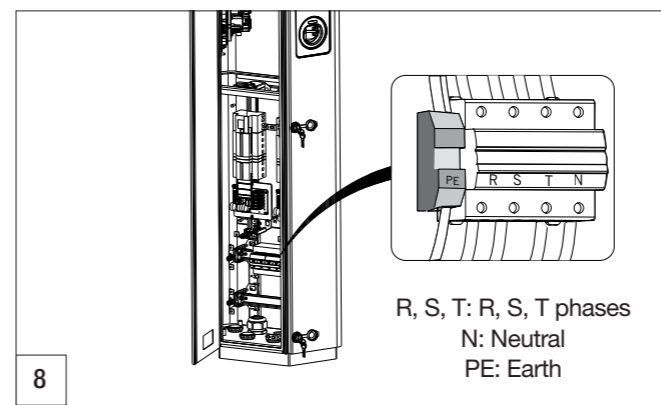
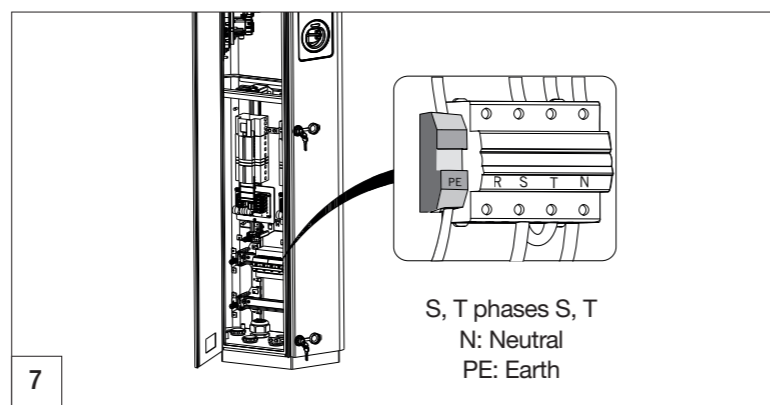
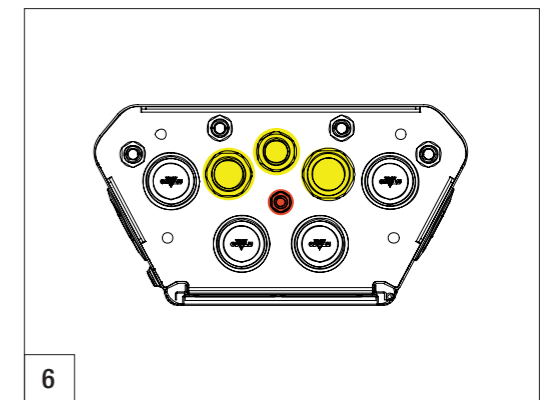
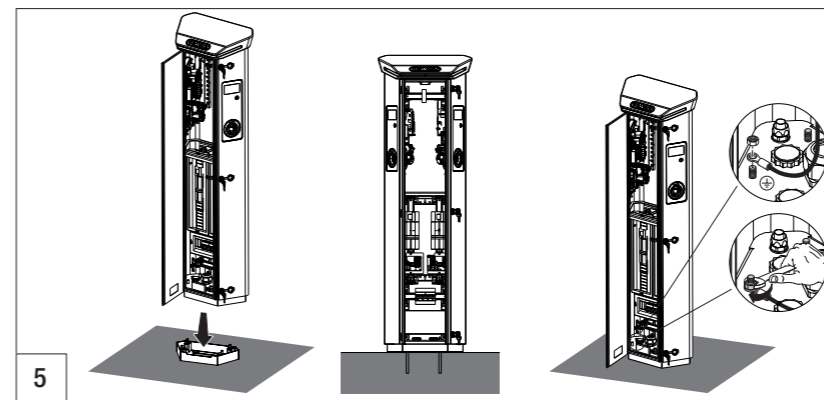
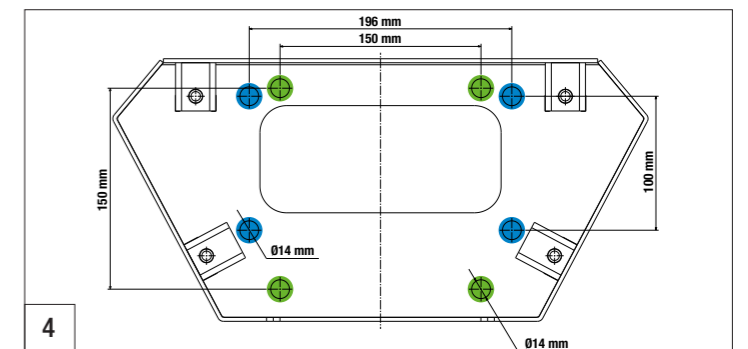
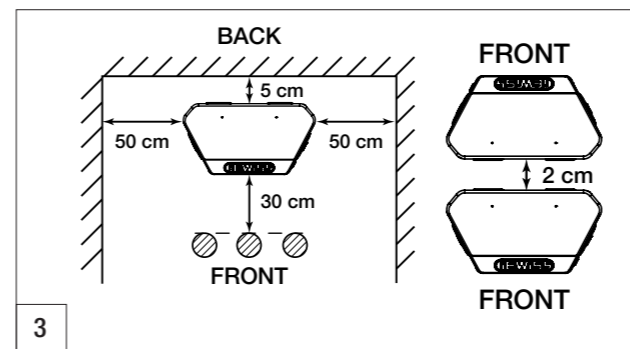
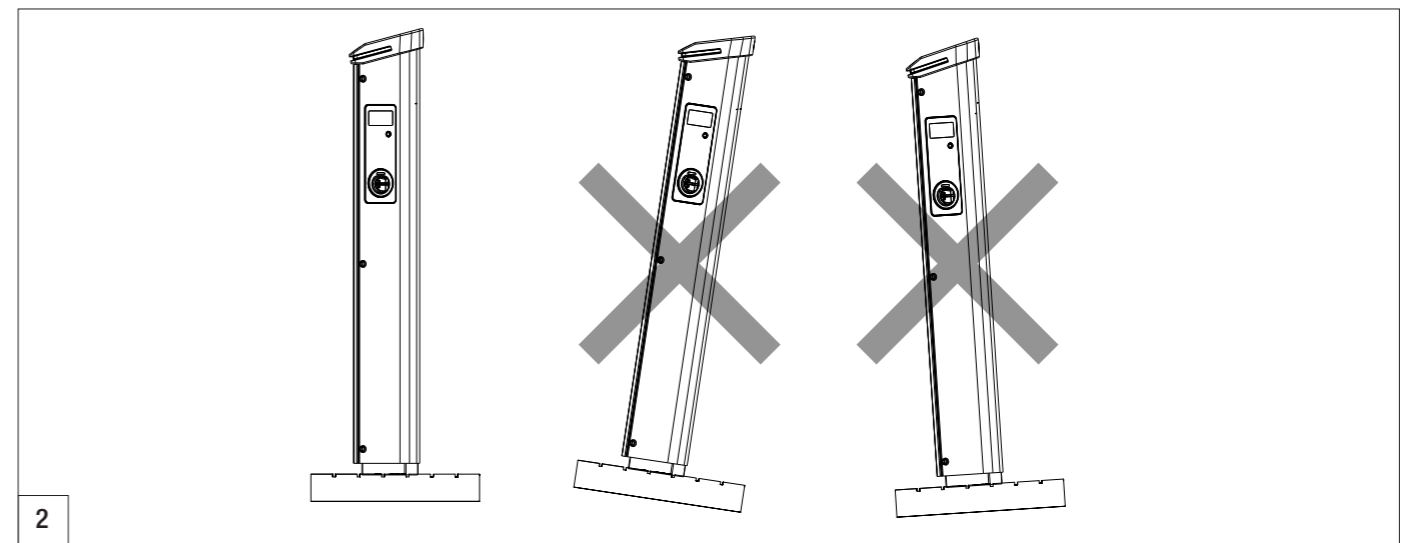


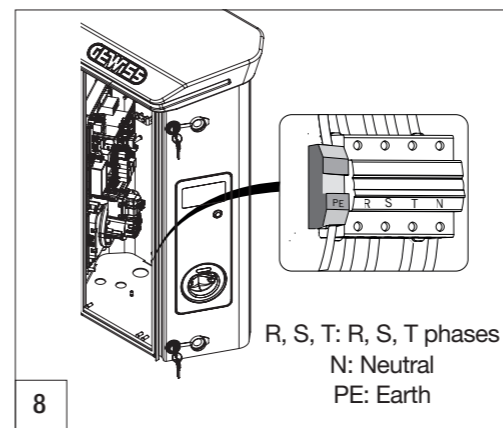
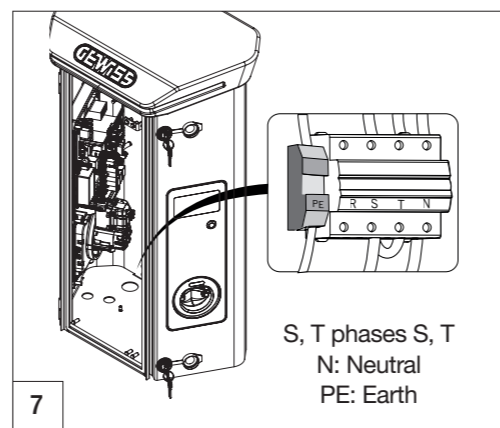
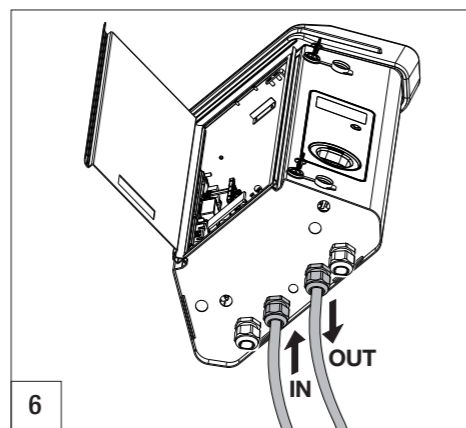
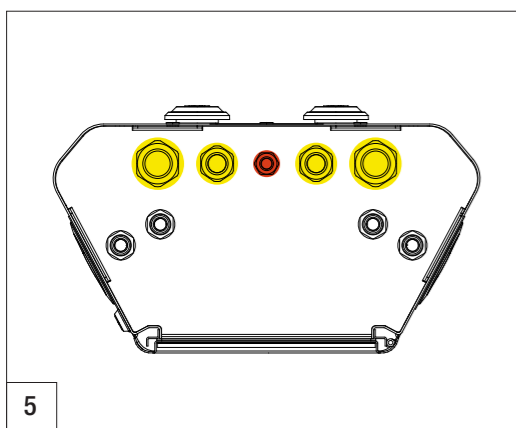
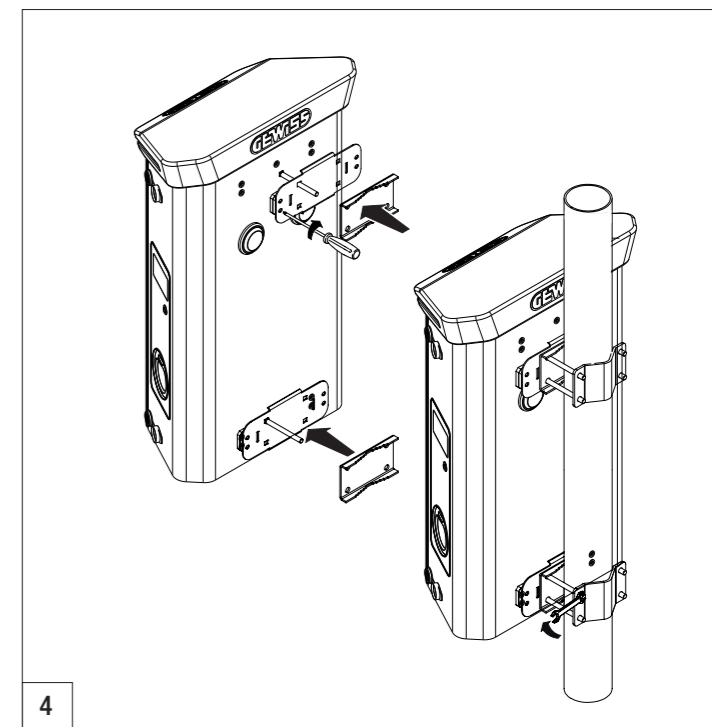
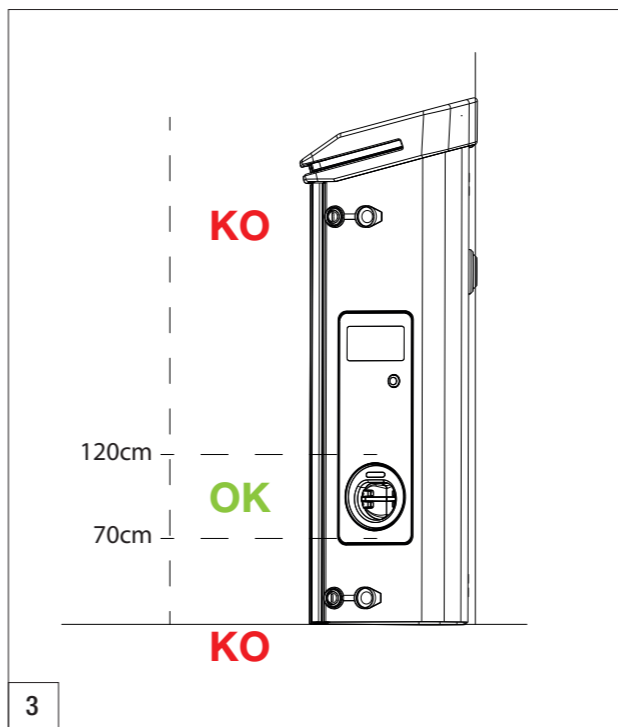
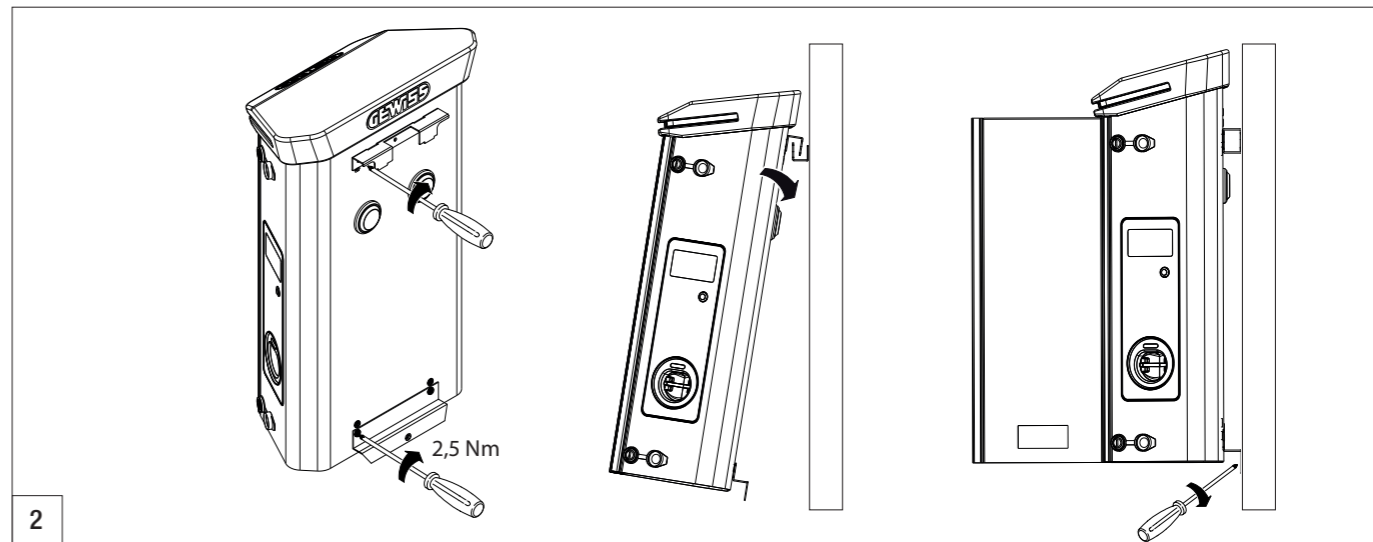
JOINON I-ON EVOLUTION

Quick installation guide



WARNING

To ensure PEN fault protection, installation of PE cable into designated terminal block IS MANDATORY, GEWISS is not responsible for issues caused by a wrong installation.



WARNING

To ensure PEN fault protection, installation of PE cable into designated terminal block IS MANDATORY, GEWISS is not responsible for issues caused by a wrong installation.