

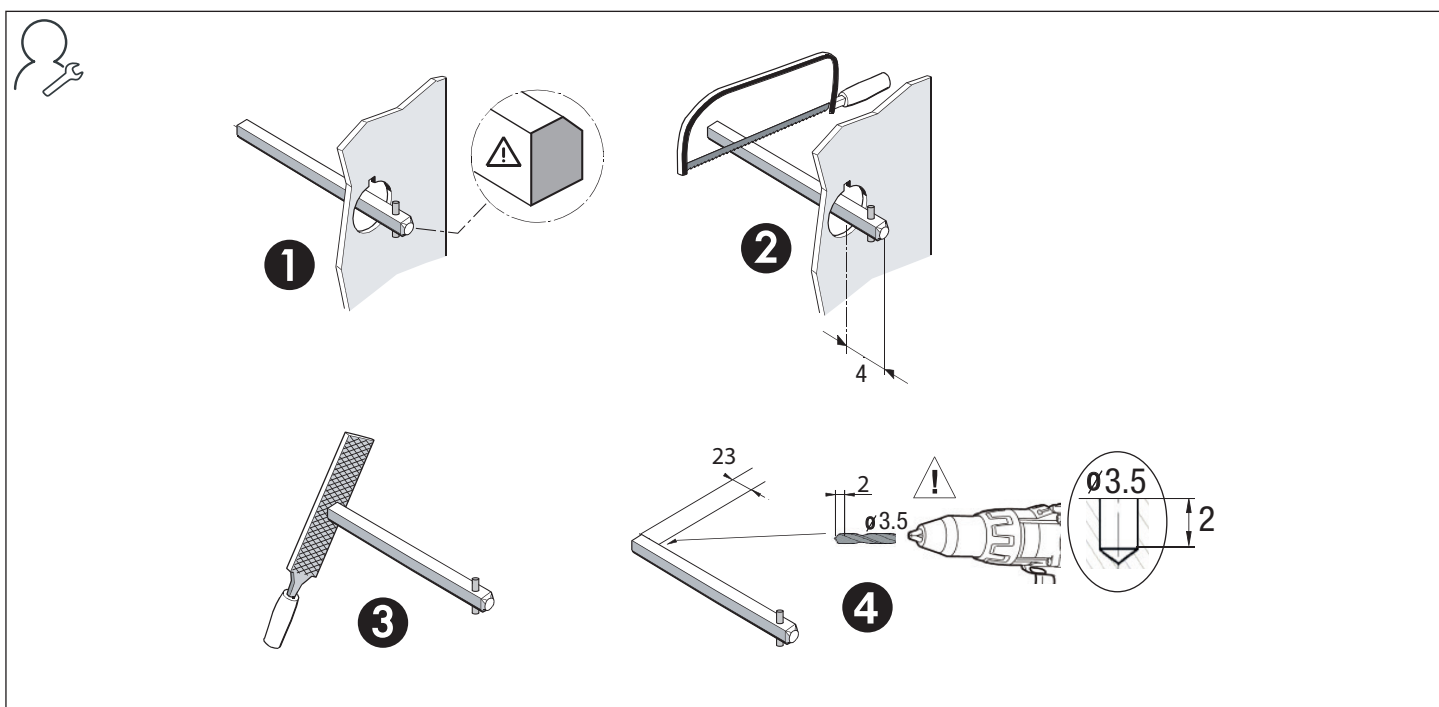
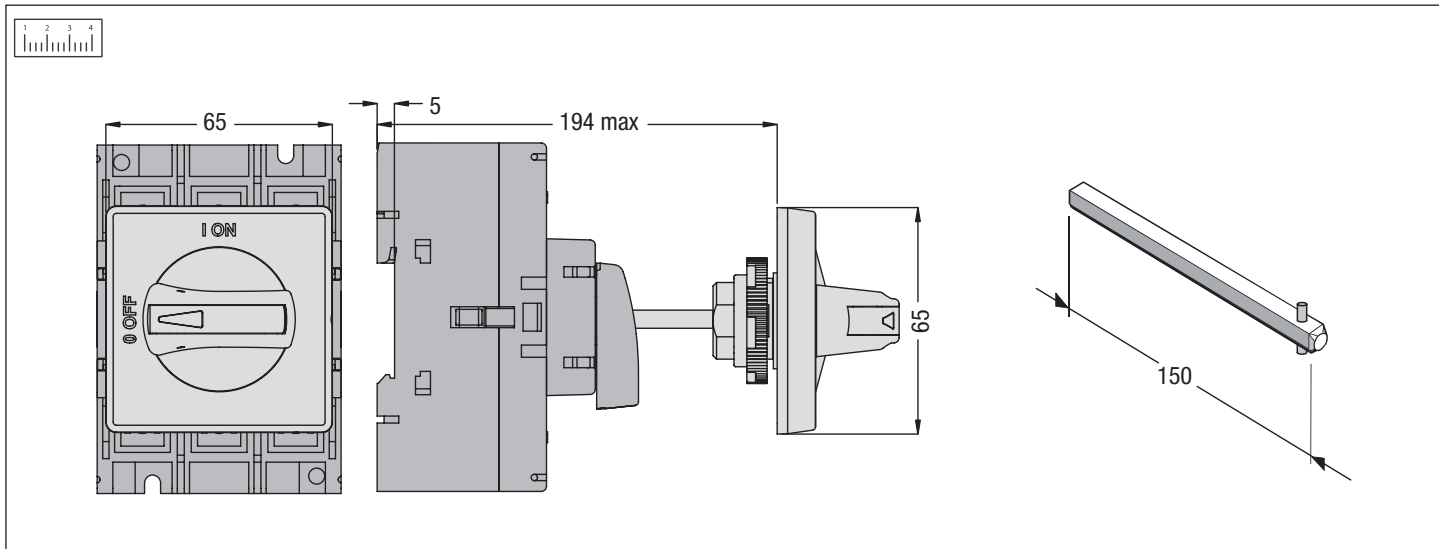
70 RT

GEWISS

CE UK
CA



		AC21A		AC22A		AC23A	
		415V~	500V~	415V~	500V~	415V~	500V~
GW 70 061	3P	100 A	100 A	100 A	80 A	100 A	80 A
GW 70 062	4P	100 A	100 A	100 A	80 A	100 A	80 A
GW 70 064	3P	125 A	125 A	125 A	100 A	125 A	100 A
GW 70 065	4P	125 A	125 A	125 A	100 A	125 A	100 A
GW 70 067	3P	160 A	160 A	125 A	100 A	125 A	100 A
GW 70 068	4P	160 A	160 A	125 A	100 A	125 A	100 A



Punto di contatto indicato in adempimento ai fini delle direttive e regolamenti UE applicabili:
 Contact details according to the relevant European Directives and Regulations:
 GEWISS S.p.A. Via A.Volta, 1 IT-24069 Cenate Sotto (BG) Italy tel: +39 035 946 111 E-mail: qualitymarks@gewiss.com

According to applicable UK regulations, the company responsible for placing the goods in UK market is:
 GEWISS UK LTD - Unity House, Compass Point Business Park, 9 Stocks Bridge Way, ST IVES
 Cambridgeshire, PE27 5JL, United Kingdom tel: +44 1954 712757 E-mail: gewiss-uk@gewiss.com



+39 035 946 11
 8:30 - 12:30 / 14:00 - 18:00
 lunedì - venerdì / monday - friday



www.gewiss.com

